
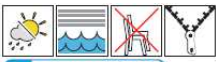
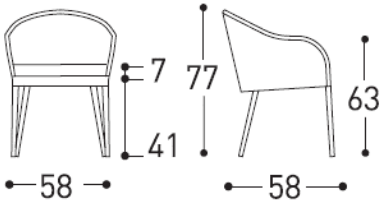










CLEVER

Design R&S VARASCHIN

Bucket armchair with powder coated aluminum frame, seat and backrest in VAR#TEX (technical PVC fabric). Available also padded in the standard fabrics.

 <p>Poltroncina pozzetto Bucket armchair</p>  <p>MODELLO REGISTRATO REGISTERED MODEL</p>	 <p>229P</p>	<p>STRUTTURA STRUCTURE</p>  <p>Bianco White</p>	<p>SEDUTA SEAT</p>  <p>VAR#TEX BIANCO</p>	<table border="1"> <thead> <tr> <th>Pz</th> <th>L</th> <th>P</th> <th>H</th> </tr> </thead> <tbody> <tr> <td rowspan="2">1</td> <td>61</td> <td>57</td> <td>87</td> </tr> <tr> <td>24</td> <td>22 1/2</td> <td>34 1/4</td> </tr> </tbody> </table> <p>m² 0,302 - Kg 7,5 tot. Kg 5,1 net</p> <p>(Cuscino compresso - Cushions included)</p> <table border="1"> <tr> <td>istruzioni d'uso using instruction</td> <td>IGSED</td> </tr> <tr> <td>telo copertura cover</td> <td>9467C</td> </tr> </table>	Pz	L	P	H	1	61	57	87	24	22 1/2	34 1/4	istruzioni d'uso using instruction	IGSED	telo copertura cover	9467C
		Pz	L		P	H													
1	61	57	87																
	24	22 1/2	34 1/4																
istruzioni d'uso using instruction	IGSED																		
telo copertura cover	9467C																		
<p>Grigio Seta Silk Grey</p>  <p>VAR#TEX ACQUERELLO</p>																			
<p>Grigio Grey</p> 	<p>VAR#TEX CENERE</p> 																		

STRUCTURAL COMPONENTS

BUCKET ARMCHAIR WITH POWDER COATED ALUMINUM FRAME, SEAT AND BACKREST IN VAR#TEX (TECHNICAL PVC FABRIC). QUICK DRY POLYURETHANE PADDING IN SEVERAL DENSITIES. REMOVABLE CUSHION COVER.

CHARACTERISTICS OF THE MATERIALS

CHARACTERISTICS OF THE MATERIALS AND FABRICS ARE DESCRIBED IN THE WEBSITE www.varaschin.it FOLDER "MATERIALS" AND YOU CAN DOWNLOAD FROM FOLDER "DOWNLOAND-MATERIALS".

INSTRUCTIONS FOR USING THE PRODUCT PROPERLY AND SAFELY

VARASCHIN IS NOT LIABLE FOR DAMAGE CAUSED BY IMPROPER USE. THE SAME APPLIES TO DAMAGE DERIVING FROM USE IN EXTREME WEATHER CONDITIONS OR LACK OF CARE. TIPS FOR EXTENDING LONGEVITY OF COMPONENTS: DURING THE WINTER STORE IN A DRY AND CLOSED PLACE TO AVOID CONDENSATION .

DO NOT STEP ON WITH FEET. DO NOT SWING BACK AND FORTH ON THE LEGS. DO NOT SIT ON THE BACK OR ON ARMS. DO NOT USE AS A LADDER. BUTTONS AND THE ZIPPERS OF CLOTHING MAY CAUSE DAMAGE TO THE MATERIALS. IF NECESSARY, PLEASE CONTACT VARASCHIN SPA.

GENERAL INSTRUCTIONS FOR MAINTENANCE AND CLEANING

FOR DAILY CLEANING USE A DRY COTTON CLOTH. FOR MORE THOROUGH CLEANING USE ONLY A NEUTRAL PRODUCT DILUTED IN WARM WATER. NEVER USE ALCOHOL, AMMONIUM, THINNERS OR ABRASIVE PRODUCTS. IN MARINE ENVIRONMENTS ARTICLE SHOULD BE WEEKLY WHASED WITH FRESH WATER.

FOR CLEANING AND TAKING CARE OF ALL MATERIALS AND FABRICS, SEE THE FOLDER "DOWNLOAD-MAINTENANCE" FROM OUR WEBSITE www.varaschin.it OR ASK FOR IT VIA E-MAIL AT VARASCHIN@VARASCHIN.IT.

GENERAL INFORMATION

N.B.: VARASCHIN SPA GUARANTEES THAT THE PRODUCT IS MADE OF QUALITY MATERIALS, USING THE BEST TECHNOLOGIES IN THE TRADE. THE COMPANY DECLINES ALL AND ANY LIABILITY FOR DAMAGE TO PERSONS AND/OR THINGS DUE TO IMPROPER USE OF THE PRODUCT. IF IN DOUBT PLEASE CONTACT THE MANUFACTURER.

DISPOSAL

PLEASE DO NOT JUST THROW OUT THE PIECE OF FURNITURE OR ANY PART OF IT. AT THE END OF ITS USE, PROVIDE FOR THE RECYCLING OR DISPOSAL OF THE COMPONENTS IN THE APPROPRIATE AREAS.

FIRE-FIGHTING MEASURES

ALTHOUGH THE PRODUCT IS NOT INFLAMMABLE, IT IS COMBUSTIBLE. THERE ARE NO RESTRICTIONS ON THE TYPES OF EXTINGUISHERS: POWDER, WATER, FOAM OR CO2. USE SUITABLE PROTECTION TO AVOID BREATHING IN FUMES. DURING DISPOSAL TAKE SPECIAL CARE TO PROTECT THE RESPIRATORY SYSTEM.

PRODUCT WARRANTY

REFER TO ARTICLE 3 "PRODUCT WARRANTY" PUBLISHED ON SALES CONDITIONS, DOCUMENTS OF SALE, WEBSITE www.varaschin.it

TECHNICAL INFO SHEET: This product information sheet complies with Italian Legislative Decree No. 206 of 6 September 2005, "Consumer Code".

The information given above refers to the latest data published in the price list. The company reserves the right to alter the models without notice.

COMPANY WITH SYSTEM MANAGEMENT QUALITY CERTIFIED **UNI EN ISO 9001: 2015**