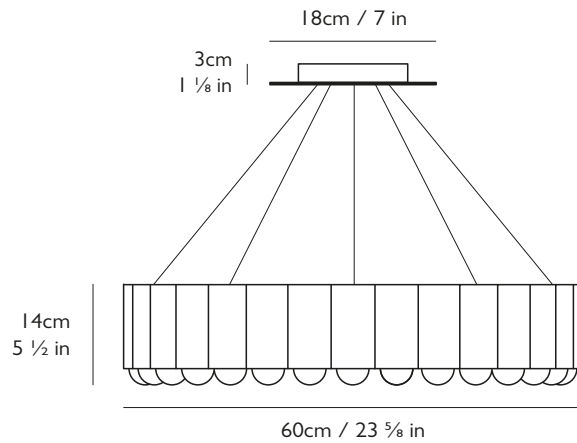


LEE BROOM

CAROUSEL



PRODUCT DETAILS

Name

Carousel

Finish & Product Code	110-130v	220-240v
Polished Gunmetal ●	CA0110	CA0010
Polished Gold ●	CA0111	CA0011
Polished Chrome ●	CA0112	CA0012
Matte Black ●	CA0113	CA0013

Materials

Steel, glass

Illumination 110-130v

60w, 2700k, 1050 lumen

Bulb: E26, 2w LED, 100 lumen, 10k hrs (30x supplied)

Illumination 220-240v

60w, 2700k, 1050 lumen

Bulb: E27, 2w LED, 100 lumen, 10k hrs (30x supplied)

Dimming

Dimmable. Mains voltage. TRIAC / Leading edge

Certification

UL, cUL (110-130v)

CE, CB (220-240v)



Year of Design

2012

Dimensions

H 14cm x Dia 60cm / H 5 1/2 in x Dia 23 5/8 in

Suspension

Min drop height: 55cm / 21 5/8 in

Max drop height: 280cm / 110 1/4 in

Adjustable steel cables

Cord

Length: 310cm / 122 in

Transparent casing

Ceiling Plate / Canopy

H 3cm x Dia 18cm / H 1 1/8 in x Dia 7 in

Round steel in matching finish

Weight

Product (net) 14kg / 30 lb / Boxed (gross) 18kg / 39.6 lb

Note

From 1st May 2018, the Carousel will be supplied with our new improved 1w LED which is more energy efficient (30 x 1w = 30w). The output of each LED will still be 2700k and 100 lumen.