

LGM

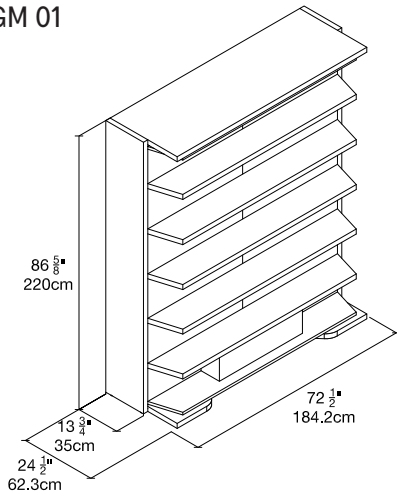
Rotating Bookshelf / Queen Wall Bed with Optional Table



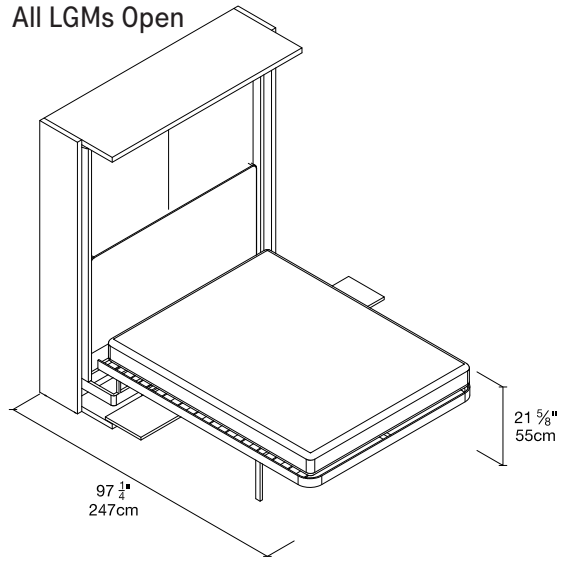
LGM

SPECS

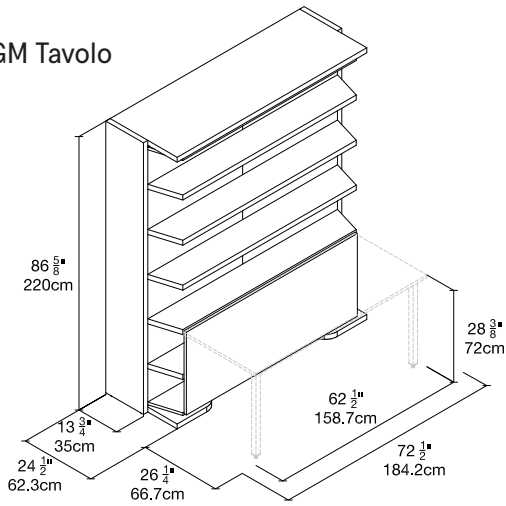
LGM 01



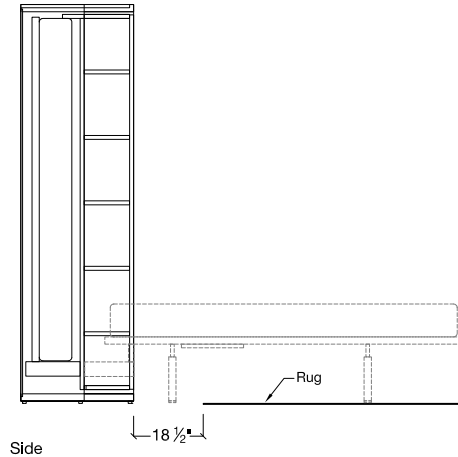
All LGMs Open



LGM Tavolo

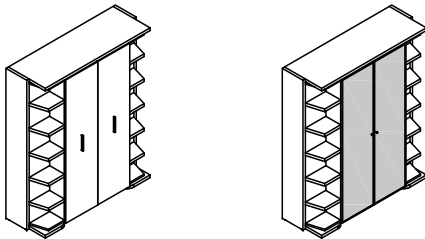


Rug Placement



ALSO AVAILABLE

LGM 2202 - Wood Doors LGM 2203 - Glass Doors



FINISHES / OPTIONS

Standard: extending night table.

Components available in a wide variety of VOC-free matte lacquers, melamine finishes, wood veneer finishes, fabrics, and leathers.

Four exclusive mattress options.

Headboard upholstered in fabric or leather.

Cannot be installed on carpets or area rugs, if using an area rug it should be placed a minimum of 18 1/2" from the front edge of the LGM,