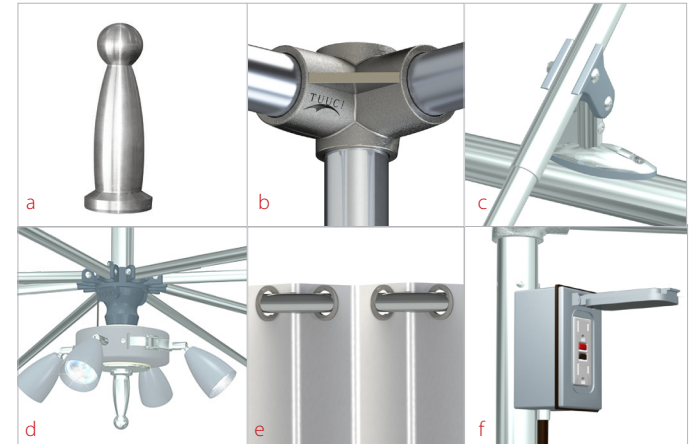


# atlantis cabana

Adding a dramatic sense of style to any setting has never been easier. The Atlantis Cabana is an impressive combination of TUUCI's distinctive style and customary utility. Topped with a vector vent and flanked with ample drapes in high-performance marine-grade fabric, the Atlantis is built with an Armor-Wall™ aluminum marine alloy frame. It can be secured directly to a deck or in portable bases to create the perfect temporary or permanent outdoor room.



460 Harrison Ave Boston MA 02118 | T617-654-2974 | casadesigngroup.com



**features:**

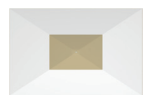
- a. Venice Aluminum Finial
- b. Armor-Wall Mast
- c. Reinforced Strut Joints
- d. Aluminum Construction w/ Stainless Steel Components
- e. Stainless Steel Curtain Rings, Grommets and Clips
- f. Optional Pre-Wired Junction Box

*shapes & sizes*



*square*

ft. / m.  
8.0' / 2.45  
9.0' / 2.75  
\*\*10.0' / 3.0  
\*\*11.0' / 3.4



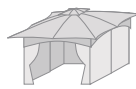
*rectangle*

ft. / m.  
\*\*8' x 12' / 2.45 x 3.65

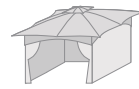
*side wall option / curtains*



*accent curtains*



*full curtains*



*tensioned fabric walls*



*tensioned fabric walls with windows*



*1 tensioned back wall & full curtains*

\*\*includes highwind stabilizers

# atlantis cabana *in dura-teak finish*

The Atlantis cabana in dura-teak finish takes everything we love about the Atlantis, but goes a step further by using Dura-TEAK™ wood-grain polymer frame construction. This state-of-the-art polymer resin is impervious to saltwater and UV degradation. The result is a frame that looks like wood yet won't rot, peel, rust or crumble and is completely resistant to acid rain for years of little-to-no maintenance. The Atlantis cabana in dura-teak finish can be secured directly to a deck or in portable bases to create a perfect temporary or permanent outdoor room.

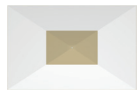


## shapes & sizes



### square

ft. / m.  
8.0' / 2.4  
9.0' / 2.7  
\*\*10.0' / 3.1  
\*\*11.0' / 3.4



### rectangle

ft. / m.  
\*\*8' x 12' / 2.4 x 3.7

## side wall options / curtains



### accent curtains



### full curtains



### tensioned privacy wall

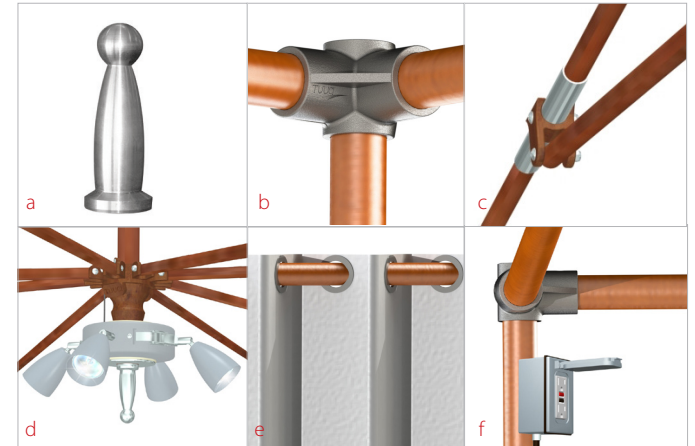
## finish options

dura-teak finish



natural

460 Harrison Ave Boston MA 02118 | T617-654-2974 | casadesigngroup.com



## features:

- a. Venice Aluminum Finial
- b. Dura-TEAK Armor-Wall Mast
- c. Reinforced Strut Joints
- d. Dura-TEAK Aluminum Construction w/ Stainless Steel Components
- e. Stainless Steel Curtain Rings, Grommets and Clips
- f. Optional Pre-Wired Junction Box