



Shading structure available with or without base, with sliding or fixed shading sail.

Structure: AISI 304 stainless steel matt varnished or gloss varnished (reference colours: Mano Lucida wood sample collection)

- with HEA hot dip galvanized steel base for an installation on non-bearing surfaces
- with plates for the installation on bearing surfaces.

Shading sail:

- white polyester fabric treated to resist UV rays
- Madras fabric
- Tamil fabric.

Notes:

With white polyester sail, the structure is always in avorio colour.

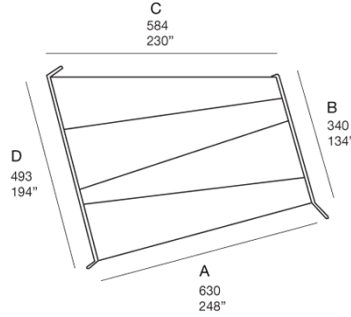
The sail can be fixed or sliding.

In the first case, the sail is divided into four parts (five for the version in polyester fabric only) and is anchored to the structure by means of zippers in a colour matching the colour of the fabric.

In the second case, the shading sail is one piece and it is hooked to the structure by means of steel snap hooks connecting it to a sliding mechanism made of a light alloy, which is placed inside the cross beams.

The one-piece polyester sail is assembled and reinforced by means of radial sewing lines that guarantee an excellent resistance with respect to the prevailing direction of the wind load to which the sail will be submitted.

CA05E Ala con base, vela fissa / Ala with base, fixed sail
CA05F Ala senza base, vela fissa / Ala without base, fixed sail



CA05G Ala con base, vela scorrevole / Ala with base, sliding sail
CA05H Ala senza base, vela scorrevole / Ala without base, sliding sail

