

MERCURY

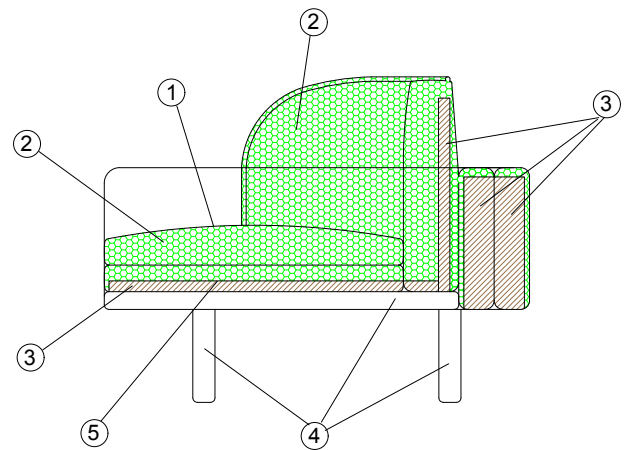
DESIGN **DARIA ZINOVATNAYA**



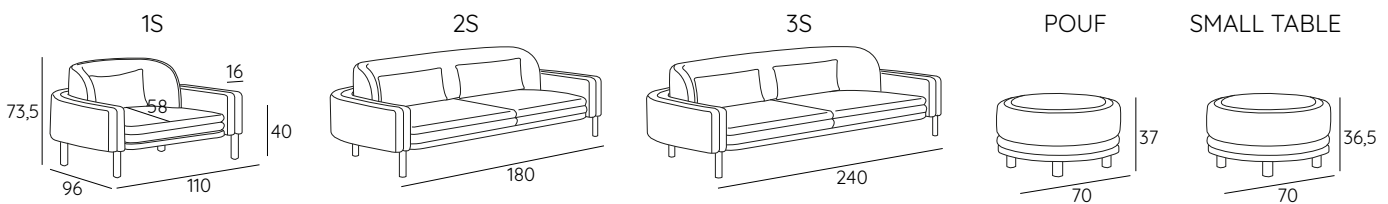
Mercury is the result of free experimentation that draws its essence from the will to mix geometrical shapes with the overlapping curves, straight lines and bold colors typical of the vanguardist art movements of the early 20th century. Ignoring product logic and widely accepted design parameters, Mercury is a collection featuring a strong will to break away from any schemes, which is not an end in itself, but rather the contextualization of a vision of contemporary interior design in which originality is essential.

MATERIALS:

- 1 - dacron® fiber 100 gr;
- 2 - high resilience polyurethane foam of different densities;
- 3 - structural frame in plywood;
- 4 - base in varnished beech wood;
- 5 - elastic webbing.



DIMENSIONS:



BASE:



COLOR BASE:

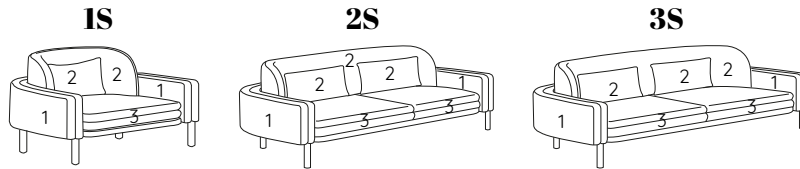


MERCURY

DESIGN **DARIA ZINOVATNAYA**

TECHNICAL DETAILS:

Removable cover: NO	kg	m ³	mts
MERCURY 1S	/	0.64	(1) 3.00 (2) 3.50 (3) 3.00
MERCURY 2S	/	1.27	(1) 4.00 (2) 6.00 (3) 3.50
MERCURY 3S	/	1.69	(1) 5.00 (2) 7.00 (3) 4.00
MERCURY POUF	/	0.25	3.00
MERCURY SMALL TABLE	/	0.25	2.50



SUGGESTED FABRICS:



The bielastic coatings adhere perfectly to the product
 The velvets and the fake leathers dress the product with softness with small pence in the more rounded parts, which become the natural characteristic of this version.

PHOTO GALLERY:



Mercury armchair



Mercury 3 seater sofa



Mercury pouf



Mercury small table