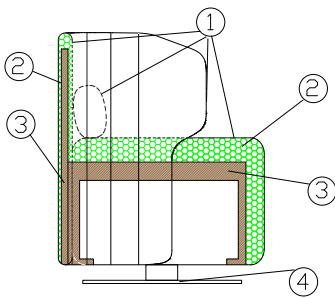


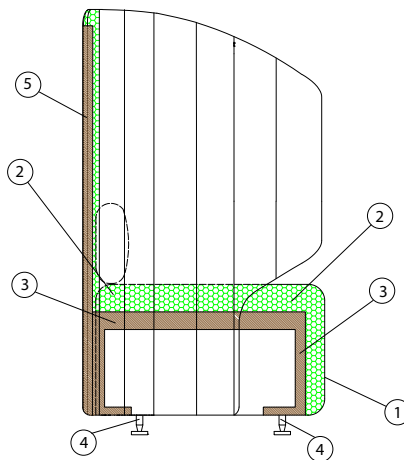


The name - Maji - comes from Japanese, and means “Really?”, an exclamation of surprise and amazement, as if it stirred questions such as “Can you actually sit in that shell? Can you really combine so many elements together?” Maji is an original modular system for office spaces or waiting areas, versatile and adaptable to any setting. It consists of a padded wall, which can be endlessly modulated, and it can wrap, as a protective shell, the most diverse elements, such as chairs, sofas, shelves, hangers.



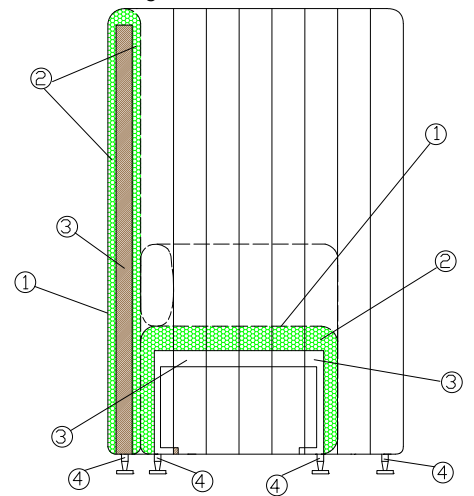
### MAJI LOW:

- 1 - dacron® fiber 100 gr;
- 2 - high resilience polyurethane foam of different densities;
- 3 - structural frame in solid firwood;
- 4 - swivel base in shiny inox and column in chrome metal.



### MAJI HIGH:

- 1 - dacron® fiber 100 gr;
- 2 - high resilience polyurethane foam of different densities;
- 3 - structural frame in solid firwood;
- 4 - swivel base in shiny inox and column chrome metal /chrome metal feet.
- 5 - structural frame in curved plywood.

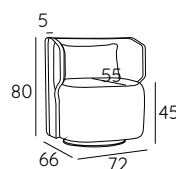


### MAJI SYSTEMS:

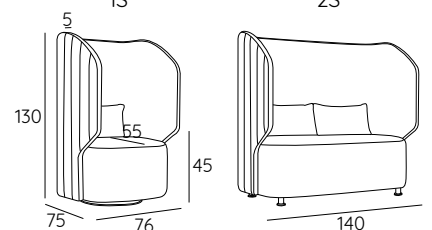
- 1 - dacron® fiber 100 gr;
- 2 - high resilience polyurethane foam of different densities;
- 3 - structural frame in solid firwood;
- 4 - chrome metal feet.

### DIMENSIONS:

#### Low



#### High

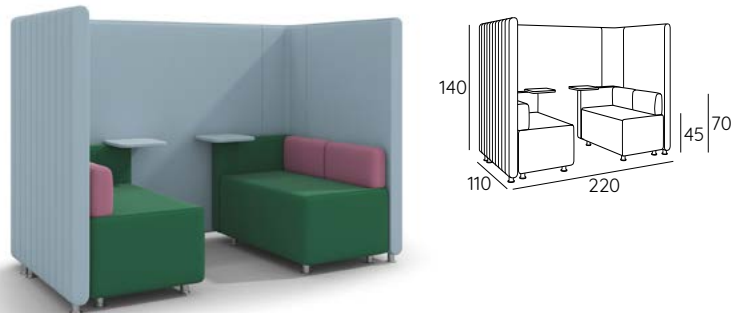


**Systems**

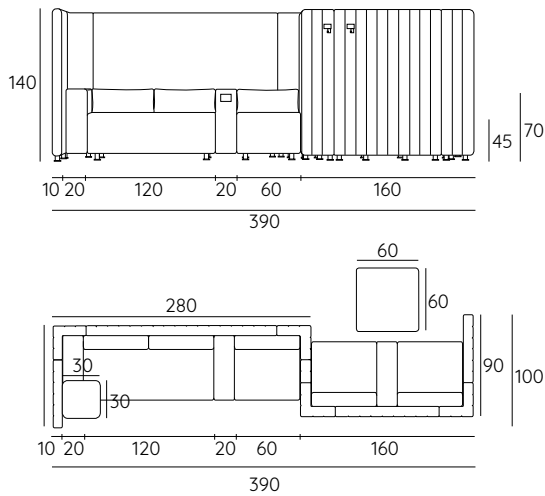
SYSTEM 1



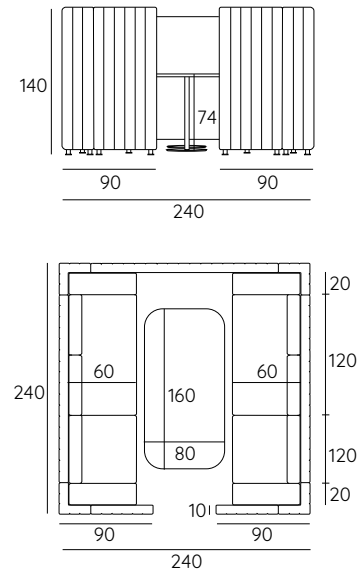
SYSTEM 2



SYSTEM 3



SYSTEM 6



SYSTEM BED SOFA



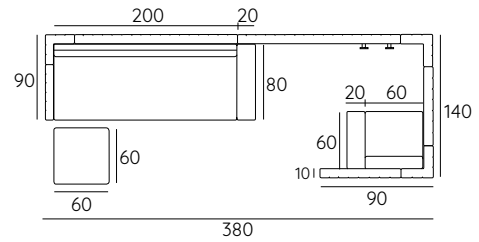
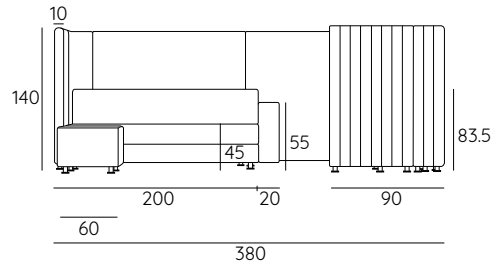
Sistema di apertura/chiusura del modulo S letto



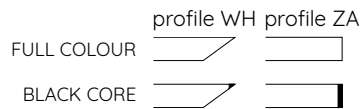
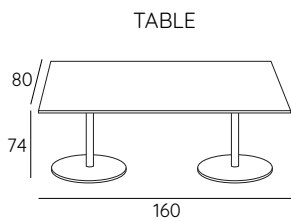
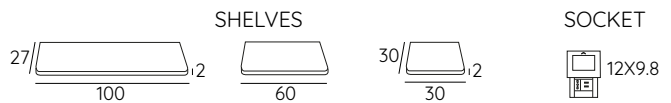
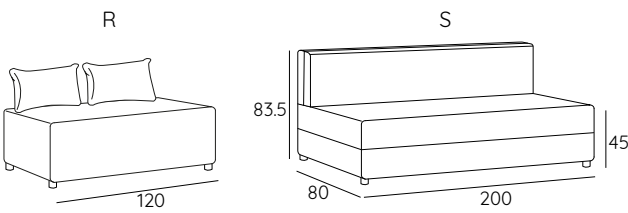
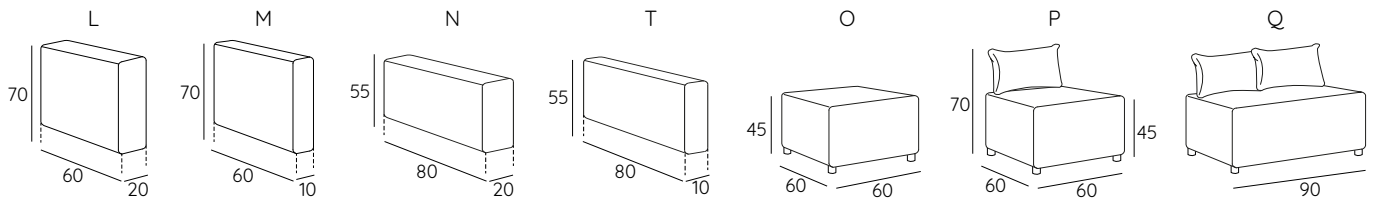
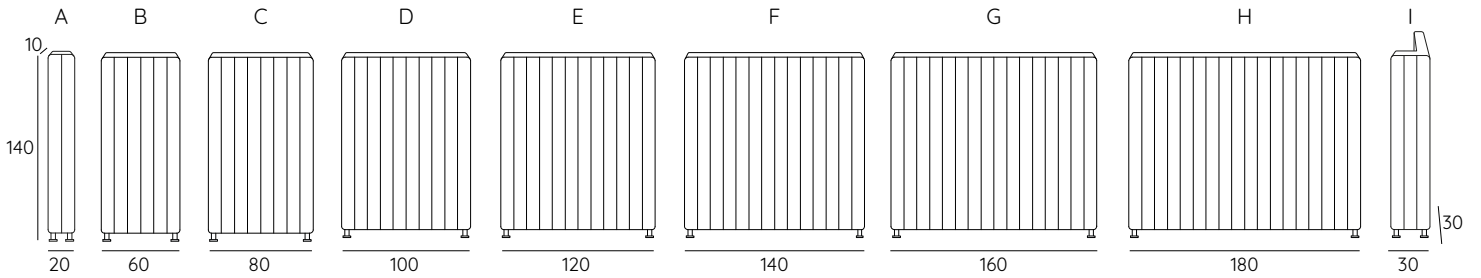
SYSTEM 7



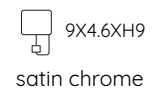
Opening/closing system  
item S whit bed



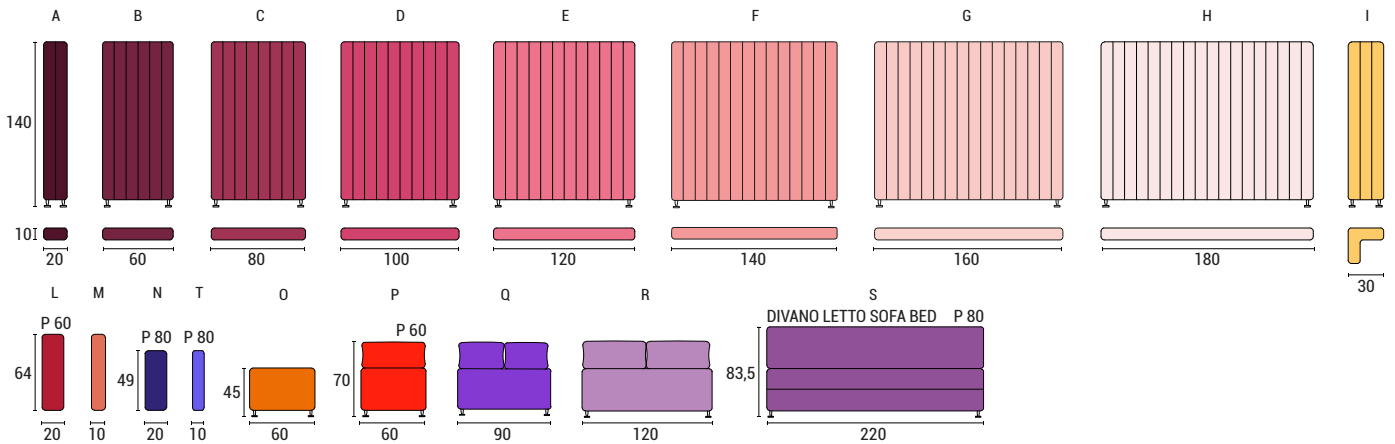
**Module system**



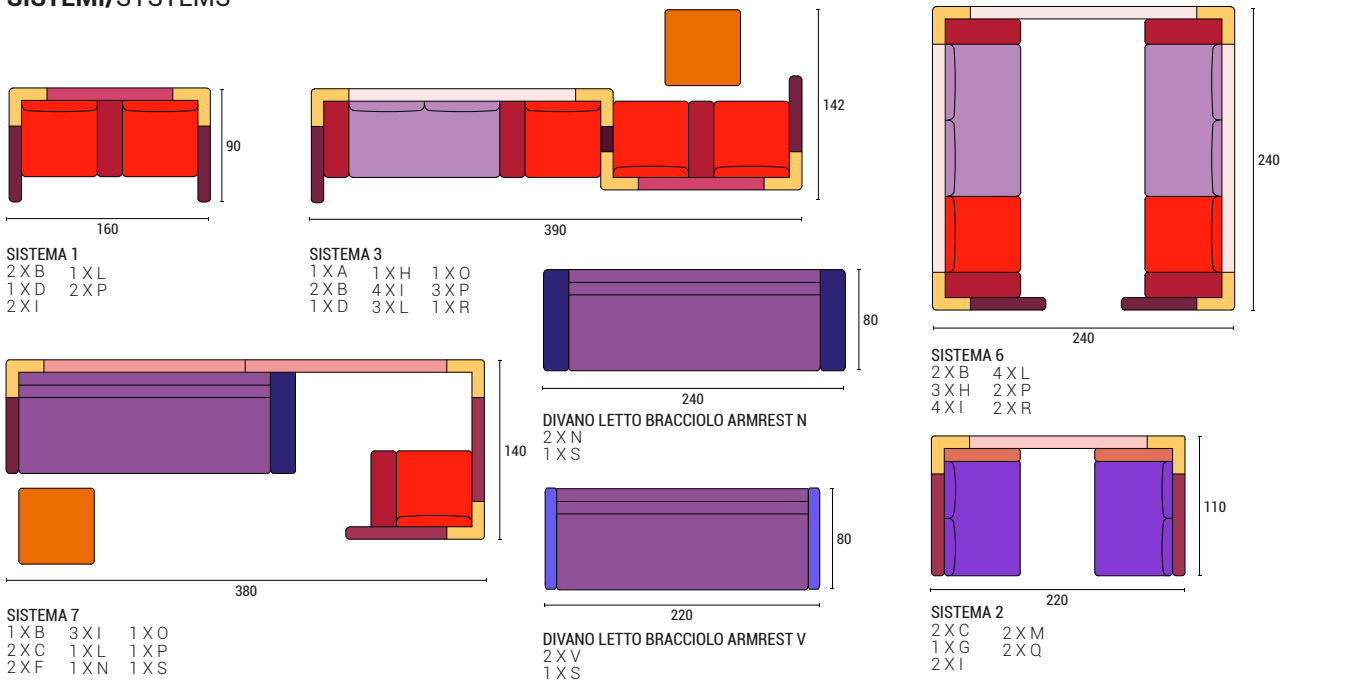
COAT HOOK



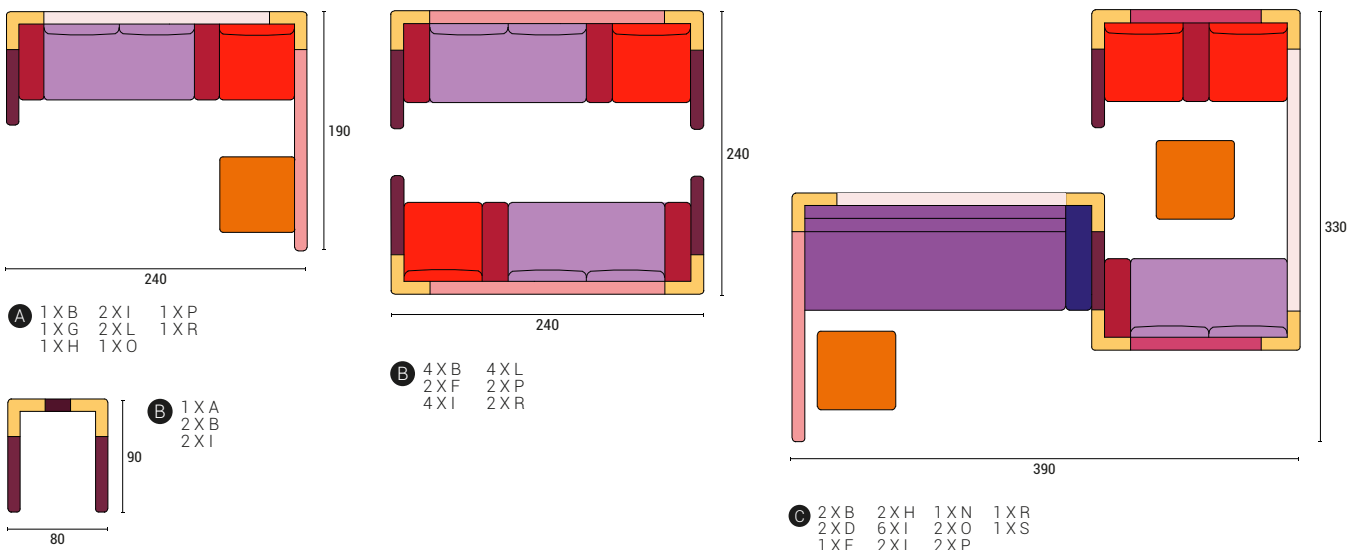
## SUGGESTED CONFIGURATIONS:

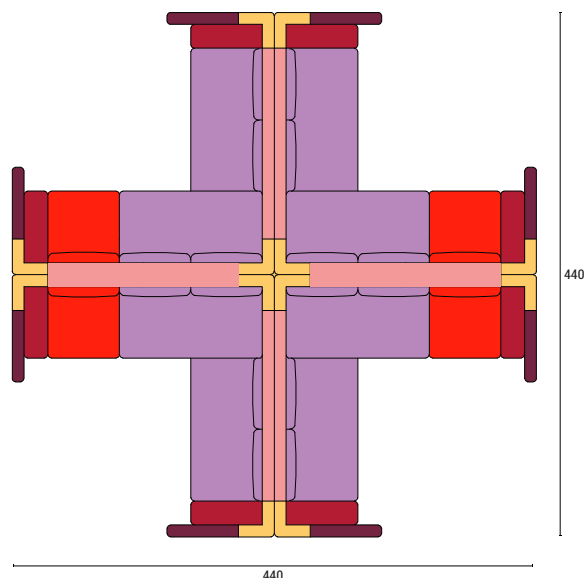


## SISTEMI/SYSTEMS



## COMBINAZIONI SUGGERITE/SYSTEMS





D 8XB 8XL  
 8XF 4XP  
 12XI 8XR

### BASE AND FEET:

B 01 h 4



h 6



### PANELS FINISHINGS:

quilted

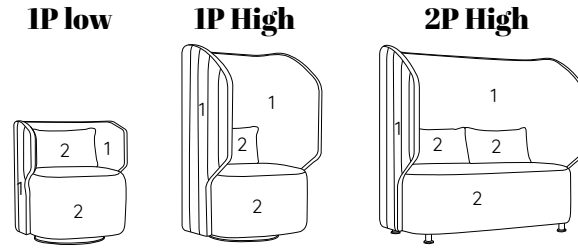


plain



### TECHNICAL DETAILS:

Removable cover: NO	kg	m <sup>3</sup>	mts		kg	m <sup>3</sup>	mts
MAJI LOW 1P	/	0.38	(1) 3.40 (2) 1.60	MAJI MODULE O	/	0.25	1.65
MAJI HIGH 1P	/	0.74	(1) 4.90 (2) 1.70	MAJI MODULE P	/	0.50	3.90
MAJI HIGH 2P	/	1.36	(1) 6.40 (2) 2.70	MAJI MODULE Q	/	0.37	/
				MAJI MODULE R	/	1.34	/
MAJI MODULE A	/	0.02	1.00	MAJI SHELVES 100	/	0.005	/
MAJI MODULE B	/	0.08	2.00	MAJI SCELVES 60	/	0.003	/
MAJI MODULE C	/	0.11	2.30	MAJI SHELVES 30X30	/	0.001	/
MAJI MODULE D	/	0.14	3.00	MAJI TABLE	/	0.95	/
MAJI MODULE E	/	0.17	3.40	MAJI SOCKET	/	0.00081	/
MAJI MODULE F	/	0.58	/	MAJI COAT HOOK	/	0.003	/
MAJI MODULE G	/	0.22	4.40				
MAJI MODULE H	/	0.25	4.80	MAJI SYSTEMA 1	/	1.14	16.20
MAJI MODULE I	/	0.13	1.80	MAJI SYSTEMA 3	/	2.74	34.20
MAJI MODULE L	/	0.08	1.50	MAJI SYSTEMA 6	/	4.20	40.40
MAJI MODULE M	/	0.08	1.50	MAJI SYSTEMA 7	/	3.00	33.50
MAJI MODULE N	/	0.25	1.65	MAJI SYSTEMA BED SOFA	/	1.91	18.60



**SUGGESTED FABRICS:**



**PHOTO GALLERY:**



Maji low armchair



Maji high armchair



Maji high sofa

