

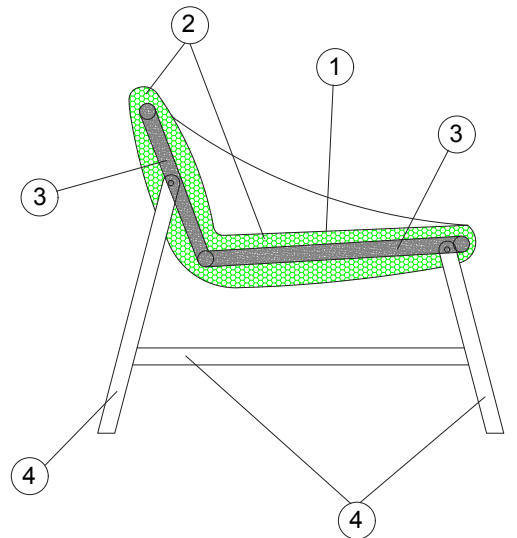
DESIGN **DEBONADEMEO**



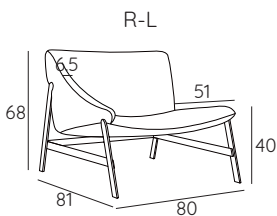
The first of the two collections by Debonademeo to be presented is Hammock, an irregular armchair, at the same time minimalist and rigorous. Hammock is inspired by the hammock, the suspended mat and recalls it by placing it on a metal structure that supports it, enhancing the clear geometries of the external shell, which come into visual contrast with the softness of the seat.

Hammock takes on the role of a conversation station or a cocoon where you can indulge and relax. Hammock is not just an armchair because by combining two mirrored armchairs it is possible to create a new configuration that resembles a two-seater sofa, but guarantees the distancing of the people who occupy it.

- 1 - dacron® fiber 100 gr;
- 2 - high resilience polyurethane foam of different densities;
- 3 - structural frame in metal;
- 4 - laquered base in iron.



DIMENSIONS:



BASE:

h 39/52.5



COLOR BASE:



DESIGN **DEBONADEMEO**

TECHNICAL DETAILS:

Removable cover: NO	kg	m ³	mts
HAMMOCK	/	0.50	2.50

SUGGESTED FABRICS:

