



DESCRIPTION

Inspired by the Amanu atoll in French Polynesia, Amanu continues the collaboration between Tribù and design team Yabu Pushelberg. The collection marries comfort and sustainability in a timeless look inspired by interior quality and finish. The dining chair has a seamless seat and backrest formed from an elegant sweep of woven Canax®. The seat is suspended from a slimline solid teak frame for a look that is light yet substantial, floating yet supported. The generous lounge chair has a lower frame and wider proportions. The dining table keeps the light yet sturdy profile with a top formed of refined ceramic tiles suspended on an elegant teak frame.

MATERIALS

- Frame: plantation teak from East-Java
- Seat & backrest: Canax® - the core is made of polyester, the outside is a mix of pvc and hemp fibres
- Table top: ceramic

CUSHIONS

The filling has a cover in a laminated, water-repellent polypropylene material which prevents water from penetrating. The thread used to stitch the seams swells when getting wet, preventing water from penetrating through the seams. Moreover, the seams are protected on the inside with an extra covering. If nevertheless water should penetrate, the material is breathable, letting moisture out to prevent moulding. Fabrics available in category D, E & F.

COLOURS FRAME

Teak



COLOURS WEAVE

10-Linen



COLOURS TABLE TOP

C15-Sabbia



C80-Scisto*

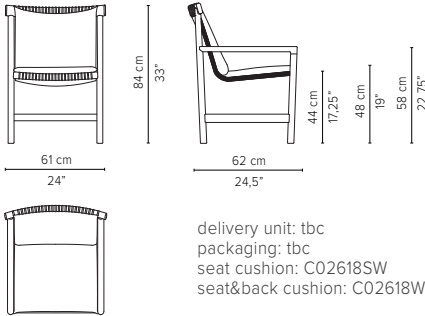


*This colour may possibly show delicate veins.

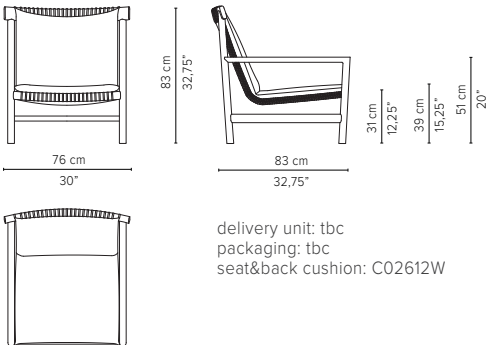
AMANU

TECHNICAL DRAWINGS

02618-10 Armchair



02612-10 Lounge chair



AMANU

TECHNICAL STANDARDS

02612-10 Lounge chair

ANSI/BIFMA X5.1-2011



PROTECTION COVERS

For each item a cover is available that protects the furniture against dirt. These covers in grey colour are made of PU coated polyester which is water-repellent and UV-resistant. Thanks to their excellent breathable qualities the covers reduce condensation and heat build-up, helping to prevent the formation of mold and mildew. Nevertheless, they are not 100% waterproof. Always make sure that furniture, cushions and covers are completely dry before covering furniture.

MAINTENANCE

Weave

Canax® requires hardly any maintenance and is easy to clean with clear water and a PH neutral soap. Stubborn stains and persistent green deposit can be removed with Synthetics Super Cleaner. We recommend to treat the Canax® weave with Synthetics Protector which applies an invisible dirt and water repellent film.



D9922
Synthetics
Super Cleaner



D9921
Synthetics
Protector

Teak

Treat new teak with Teak Protector 4 à 6 weeks after installation. Teak Protector applies an invisible film that prevents stains and green deposit. Soiled teak can be cleaned with Teak Super Cleaner. Leave the furniture to dry completely and then apply Teak Protector. To avoid labour-intensive cleaning, you can treat the wood with Teak Sealer. A simple cleaning with water and a ph-neutral soap will do for many years. Teak Sealer contains UV protection to slow down the graying from the sun as well as a fungicide to prevent the growth of mold and mildew.



D9914
Teak Super
Cleaner



D9912
Teak Protector



D9959
Teak Sealer