



DESCRIPTION

Inspired by the Amanu atoll in French Polynesia, Amanu continues the collaboration between Tribù and design team Yabu Pushelberg. The collection marries comfort and sustainability in a timeless look inspired by interior quality and finish. The dining chair has a seamless seat and backrest formed from an elegant sweep of woven Canax®. The seat is suspended from a slimline solid teak frame for a look that is light yet substantial, floating yet supported. The generous lounge chair has a lower frame and wider proportions. The dining table keeps the light yet sturdy profile with a top formed of refined ceramic tiles suspended on an elegant teak frame.

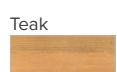
MATERIALS

- Frame: plantation teak from East-Java
- Seat & backrest: Canax® - the core is made of polyester, the outside is a mix of pvc and hemp fibres
- Table top: ceramic

CUSHIONS

The filling has a cover in a laminated, water-repellent polypropylene material which prevents water from penetrating. The thread used to stitch the seams swells when getting wet, preventing water from penetrating through the seams. Moreover, the seams are protected on the inside with an extra covering. If nevertheless water should penetrate, the material is breathable, letting moisture out to prevent moulding. Fabrics available in category D, E & F.

COLOURS FRAME



COLOURS WEAVE



COLOURS TABLE TOP

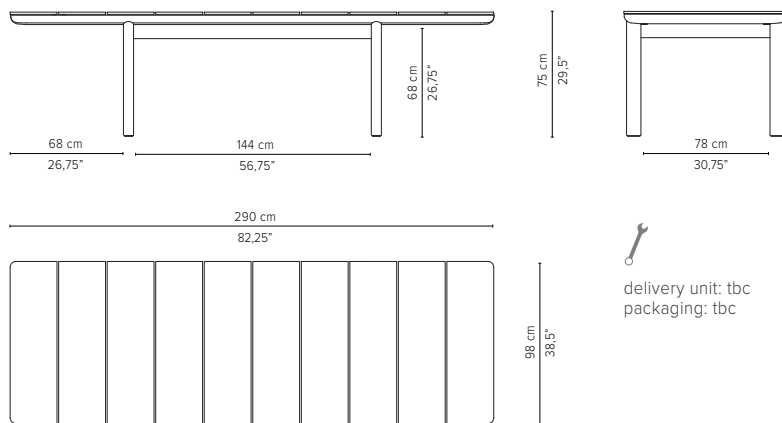


*This colour may possibly show delicate veins.

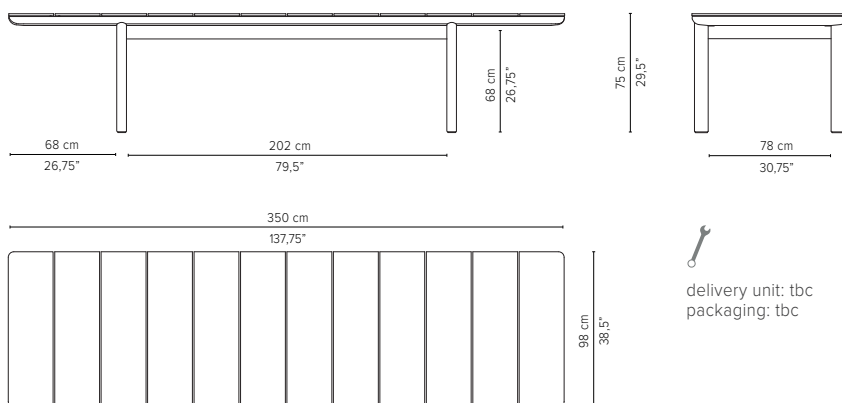
AMANU

TECHNICAL DRAWINGS

02652-x Dining table 290 cm / 82.25"



02654-x Dining table 350 cm / 137.75"



* Appearances, measurements and weights may slightly differ from reality.

