

# Molteni & C

## 5050 — RODOLFO DORDONI 2016

1—  
3



The wealth of materials used and a rigorous design are the elements that characterize 5050, a collection of bedroom furniture. Gloss or matt lacquered surfaces alternate with wooden tops and Eco Skin trays, creating alternating color effects that please the eye and underscore the play of solids and voids of a geometric design that is never banal. An interesting feature is the rounded contour of the structural elements that make up bedside tables and chests of drawers.

**DATASHEET**

REGISTERED  
DESIGN

IX.2021

## FINISHES

SIDES, FRONTS AND BACK  
matt lacquer colours in the  
Molteni colour range  
glossy lacquer colours in the  
Molteni colour range

TOPS AND BASES  
eucalyptus  
grey oak  
graphite oak

CHEST OF DRAWERS LOWER SHELF  
IN ECO SKIN  
grey  
mink  
hemp  
ivory  
dark brown  
earth  
arctic  
taupe

# Molteni & C

## TECHNICAL INFORMATION

### TOP, STRUCTURE FOR DRAWER AND BASE

Chipboard panel covered in Eucalyptus wood (Eucalyptus Globulus) and Oak (Quercus) veneer.

### LATERAL PIECES AND SHELVES, SIDES AND INTERNAL DRAWER BOTTOM

Chipboard panel covered in melamine facing.

### LATERAL PIECES AND FRONTS

Medium density fibre panel covered in melamine facing, painted in Molteni range colours.

### BACK

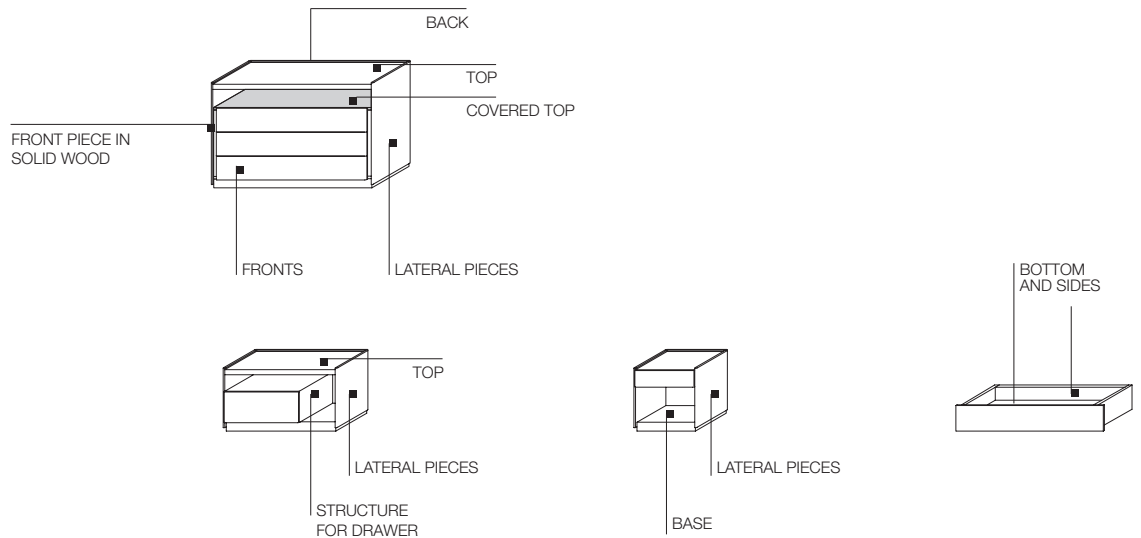
Chipboard panel covered in melamine facing, painted in Molteni range colours.

### COVERED TOP

Chipboard panel covered in Eco Skin.

### FRONT PIECE IN SOLID WOOD

In solid wood of the Large-leaved Linden (Tilia Platyphyllos) covered in Eucalyptus wood (Eucalyptus Globulus) and Oak (Quercus) veneer.



## DATASHEET

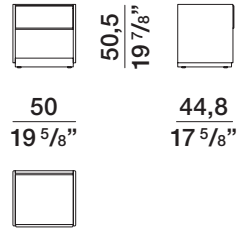
REGISTERED  
DESIGN

IX.2021

**DIMENSIONS**

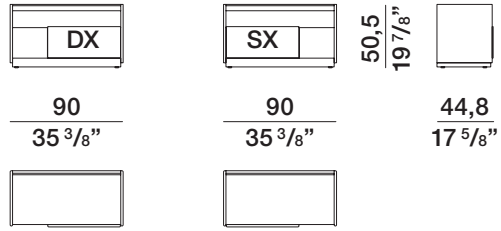
**night table**

**CCD1**



**night table**

**CCD2 dx - sx**

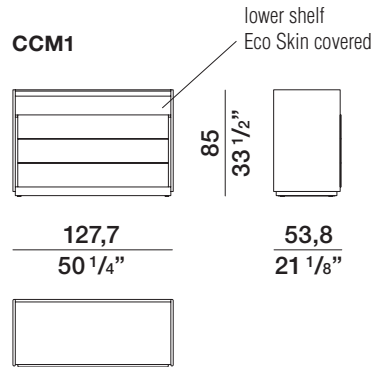


**Molteni & C**

**3—**  
 3

**chest of drawers**

**CCM1**



**DATASHEET**

REGISTERED  
 DESIGN

IX.2021