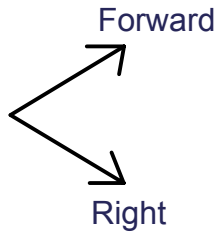
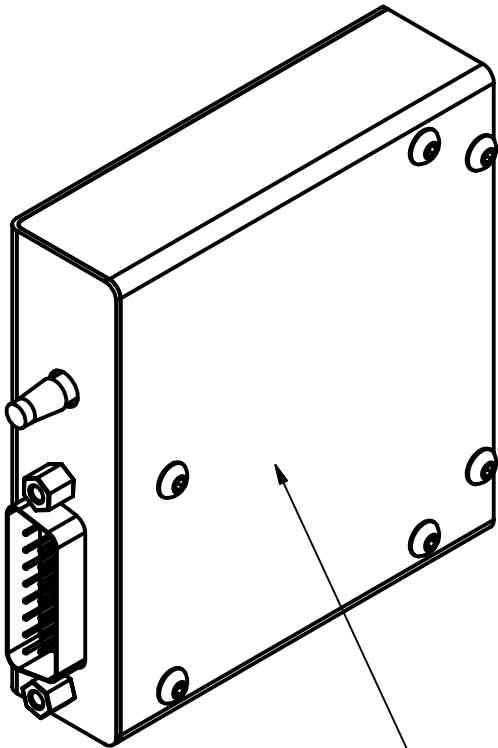
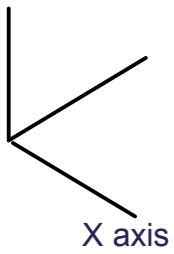


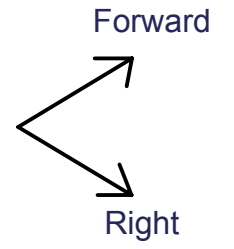
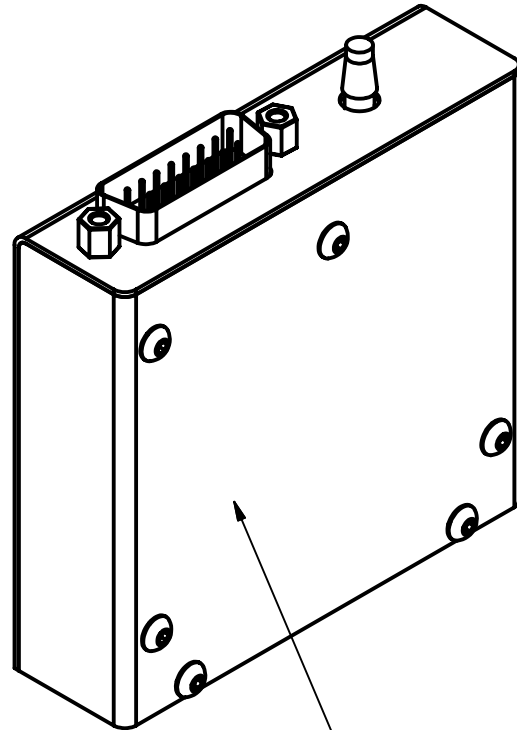
Mounting Scenario 1



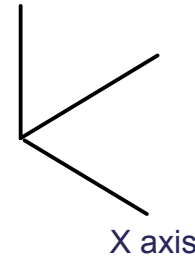
This surface must face right



Mounting Scenario 2



This surface must face right



Note: Programmer can be rotated to any position about "X" axis as long as the surface labeled "This surface must face right" is facing right side of aircraft