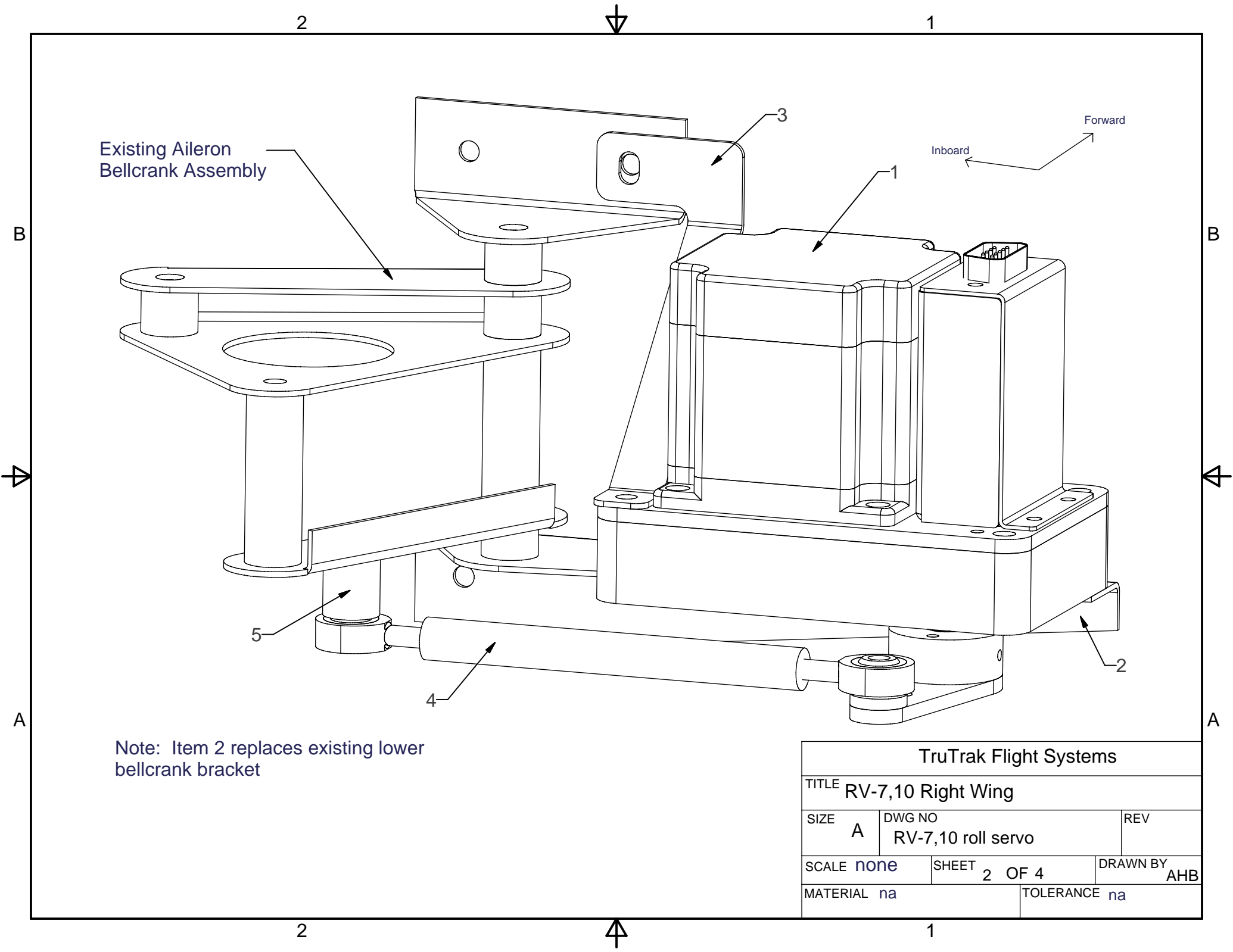


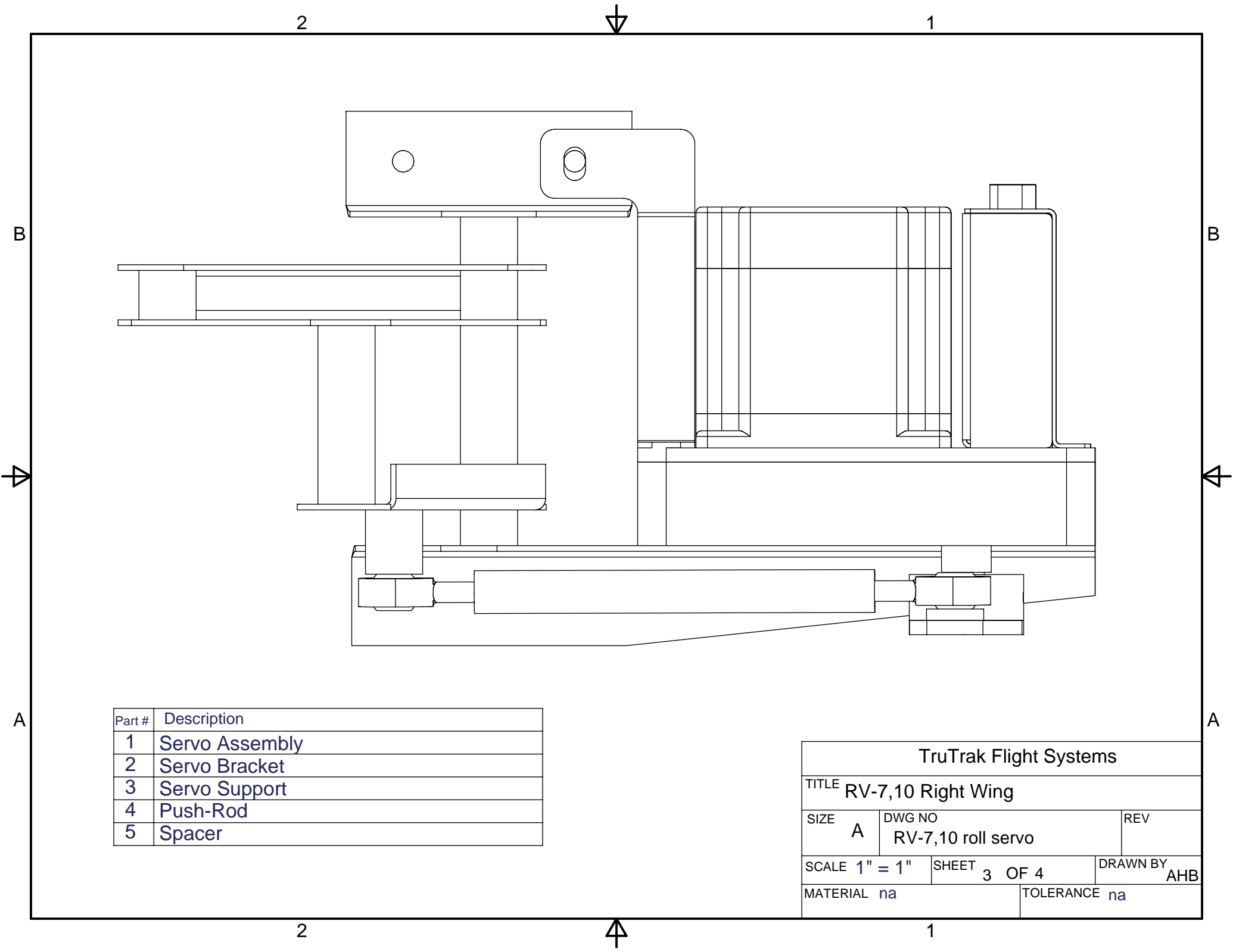
| | | | |
|---------------------------------|-------------------------------------|---------------------|--|
| TruTrak Flight Systems | | | |
| TITLE RV-7,10 Right Wing | | | |
| SIZE A | DWG NO RV-7,10 roll servo | REV | |
| SCALE none | SHEET 1 OF 4 | DRAWN BY AHB | |
| MATERIAL na | | TOLERANCE na | |



Existing Aileron
Bellcrank Assembly

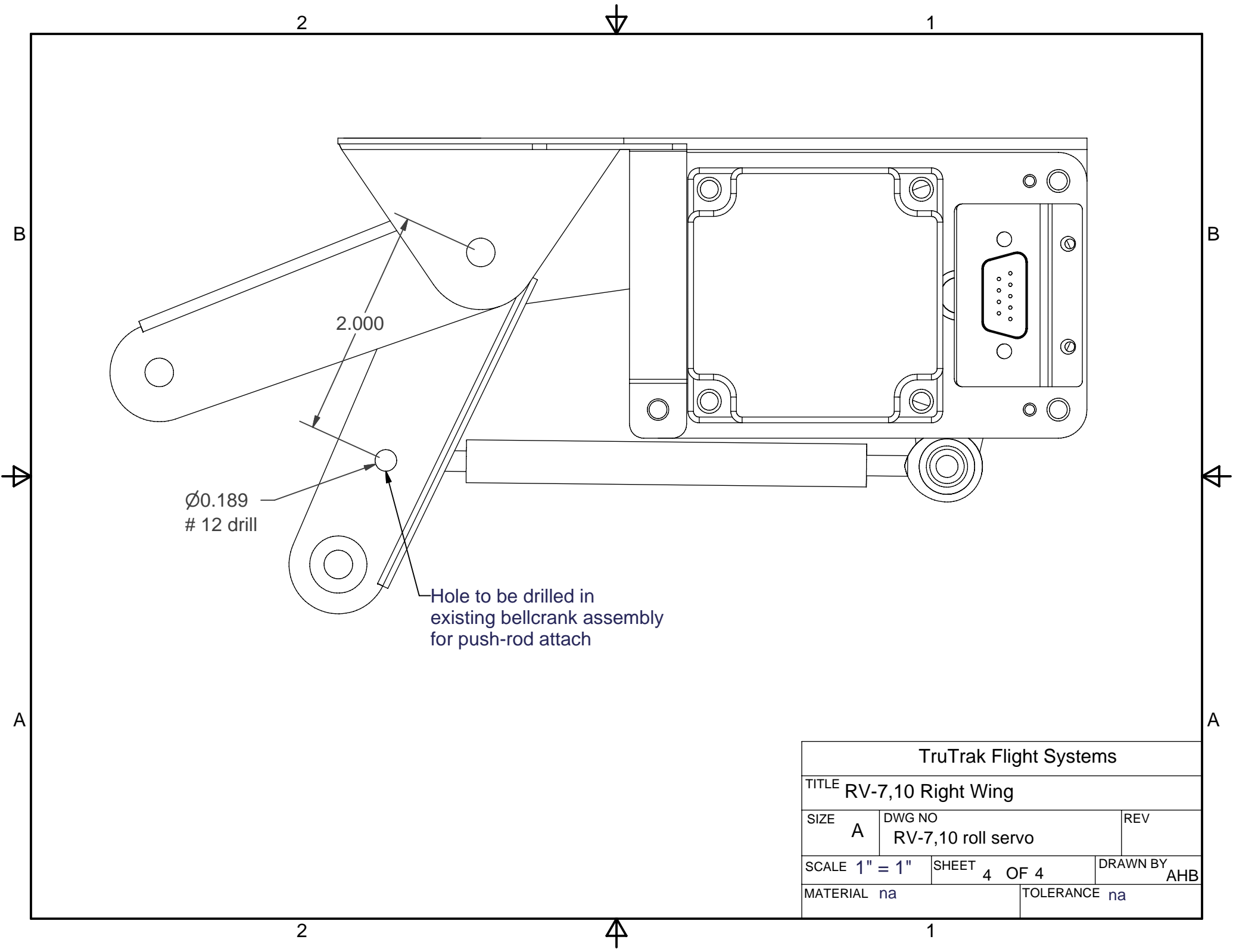
Note: Item 2 replaces existing lower
bellcrank bracket

| | | |
|---------------------------------|-------------------------------------|------------------------|
| TruTrak Flight Systems | | |
| TITLE RV-7,10 Right Wing | | |
| SIZE A | DWG NO RV-7,10 roll servo | REV |
| SCALE none | SHEET 2 OF 4 | DRAWN BY AHB |
| MATERIAL na | | TOLERANCE na |



| Part # | Description |
|--------|----------------|
| 1 | Servo Assembly |
| 2 | Servo Bracket |
| 3 | Servo Support |
| 4 | Push-Rod |
| 5 | Spacer |

| | | |
|--------------------------|------------------------------|-----------------|
| TruTrak Flight Systems | | |
| TITLE RV-7,10 Right Wing | | |
| SIZE A | DWG NO RV-7,10 roll servo | REV |
| SCALE 1" = 1" | SHEET 3 OF 4 | DRAWN BY AHB |
| MATERIAL na | | TOLERANCE na |



Ø0.189
12 drill

2.000

Hole to be drilled in
existing bellcrank assembly
for push-rod attach

| | | | |
|--------------------------|------------------------------|-----------------|--|
| TruTrak Flight Systems | | | |
| TITLE RV-7,10 Right Wing | | | |
| SIZE A | DWG NO RV-7,10 roll servo | REV | |
| SCALE 1" = 1" | SHEET 4 OF 4 | DRAWN BY AHB | |
| MATERIAL na | | TOLERANCE na | |