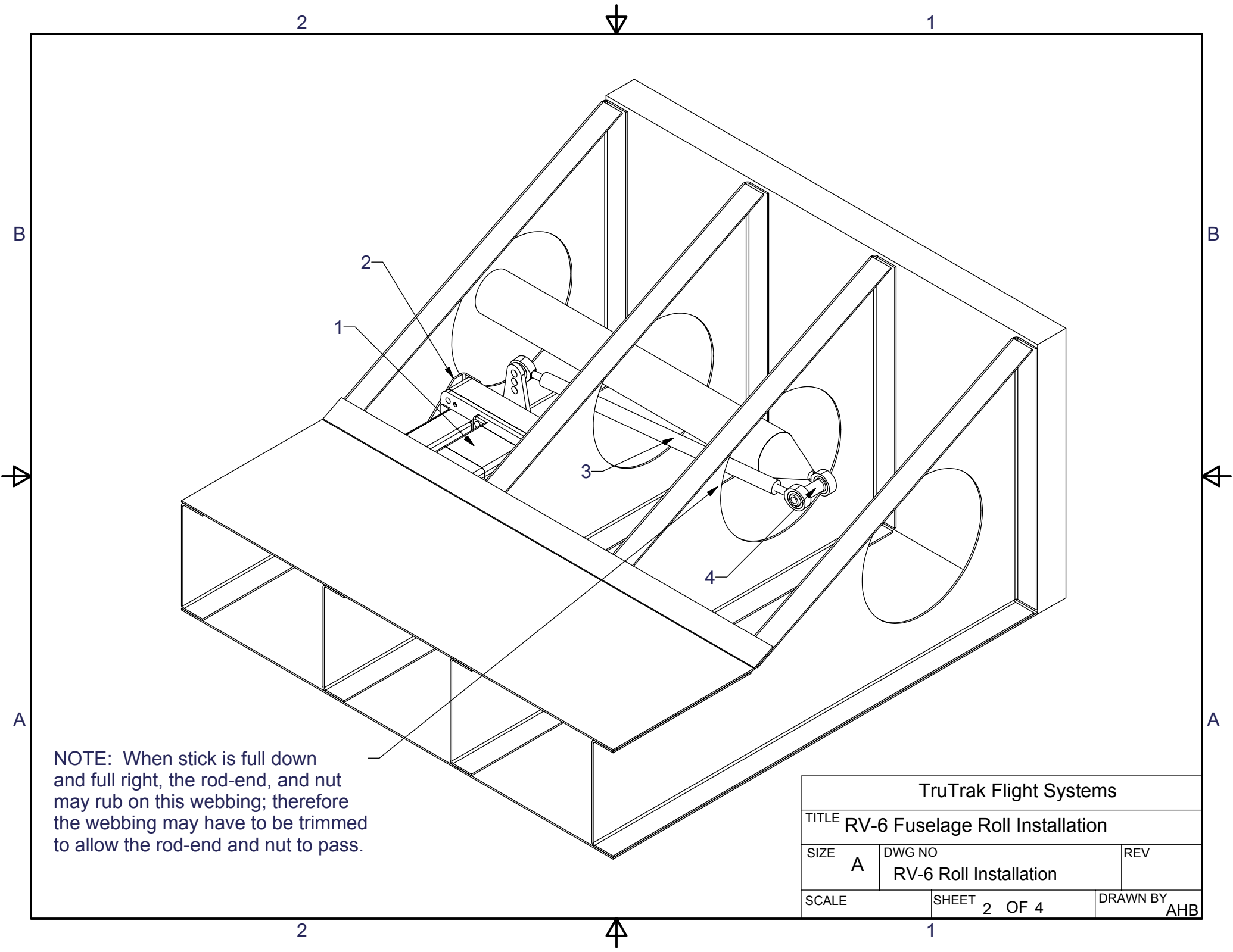
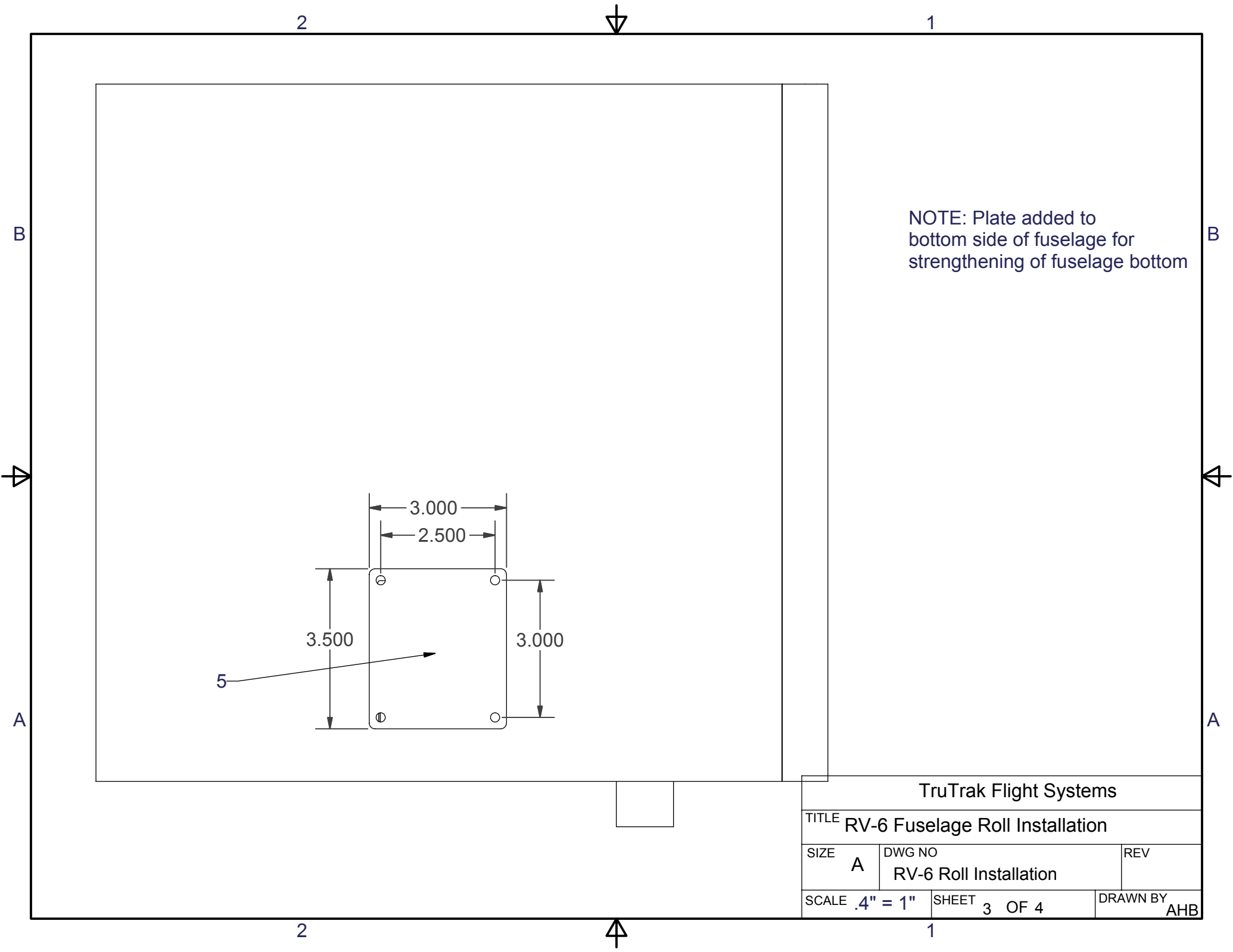


TruTrak Flight Systems			
TITLE RV-6 Fuselage Roll Installation			
SIZE A	DWG NO RV-6 Roll Installation	REV	
SCALE	SHEET 1 OF 4	DRAWN BY AHB	

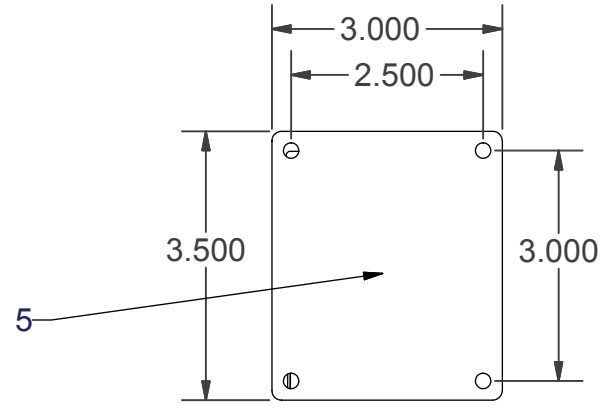


NOTE: When stick is full down and full right, the rod-end, and nut may rub on this webbing; therefore the webbing may have to be trimmed to allow the rod-end and nut to pass.

TruTrak Flight Systems			
TITLE RV-6 Fuselage Roll Installation			
SIZE	A	DWG NO	RV-6 Roll Installation
SCALE		SHEET	2 OF 4
		DRAWN BY	AHB



NOTE: Plate added to  
bottom side of fuselage for  
strengthening of fuselage bottom



TruTrak Flight Systems			
TITLE RV-6 Fuselage Roll Installation			
SIZE A	DWG NO RV-6 Roll Installation	REV	
SCALE .4" = 1"	SHEET 3 OF 4	DRAWN BY AHB	

2

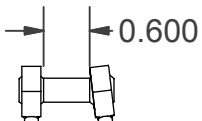


1

Part #	Description
1	Servo Assembly
2	Servo Bracket
3	Push-Rod
4	Spacer
5	Strengthening Plate

B

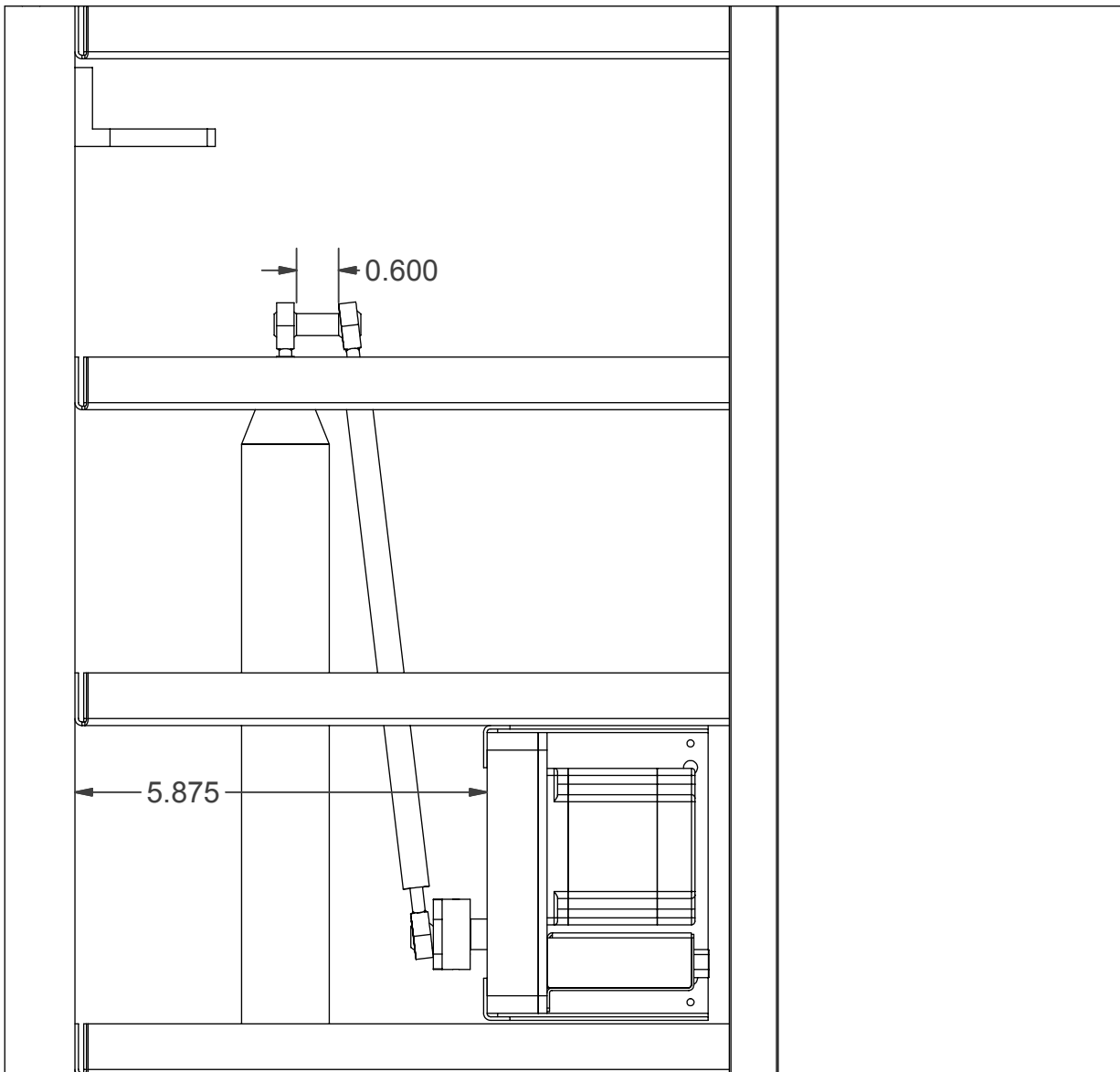
B



5.875

A

A



2



1

TruTrak Flight Systems		
TITLE RV-6 Fuselage Roll Installation		
SIZE A	DWG NO RV-6 Roll Installation	REV
SCALE .4" = 1'	SHEET 4 OF 4	DRAWN BY AHB