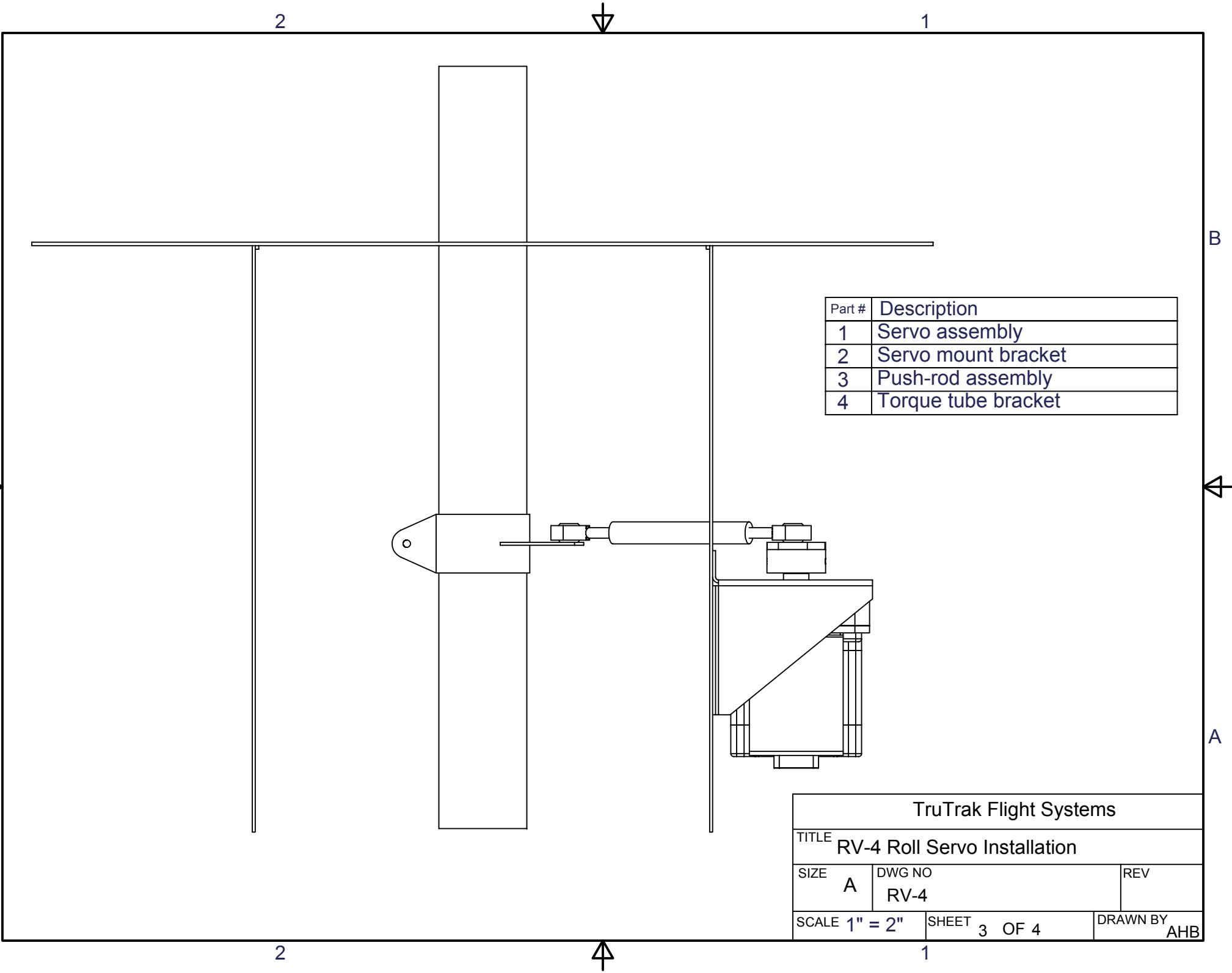
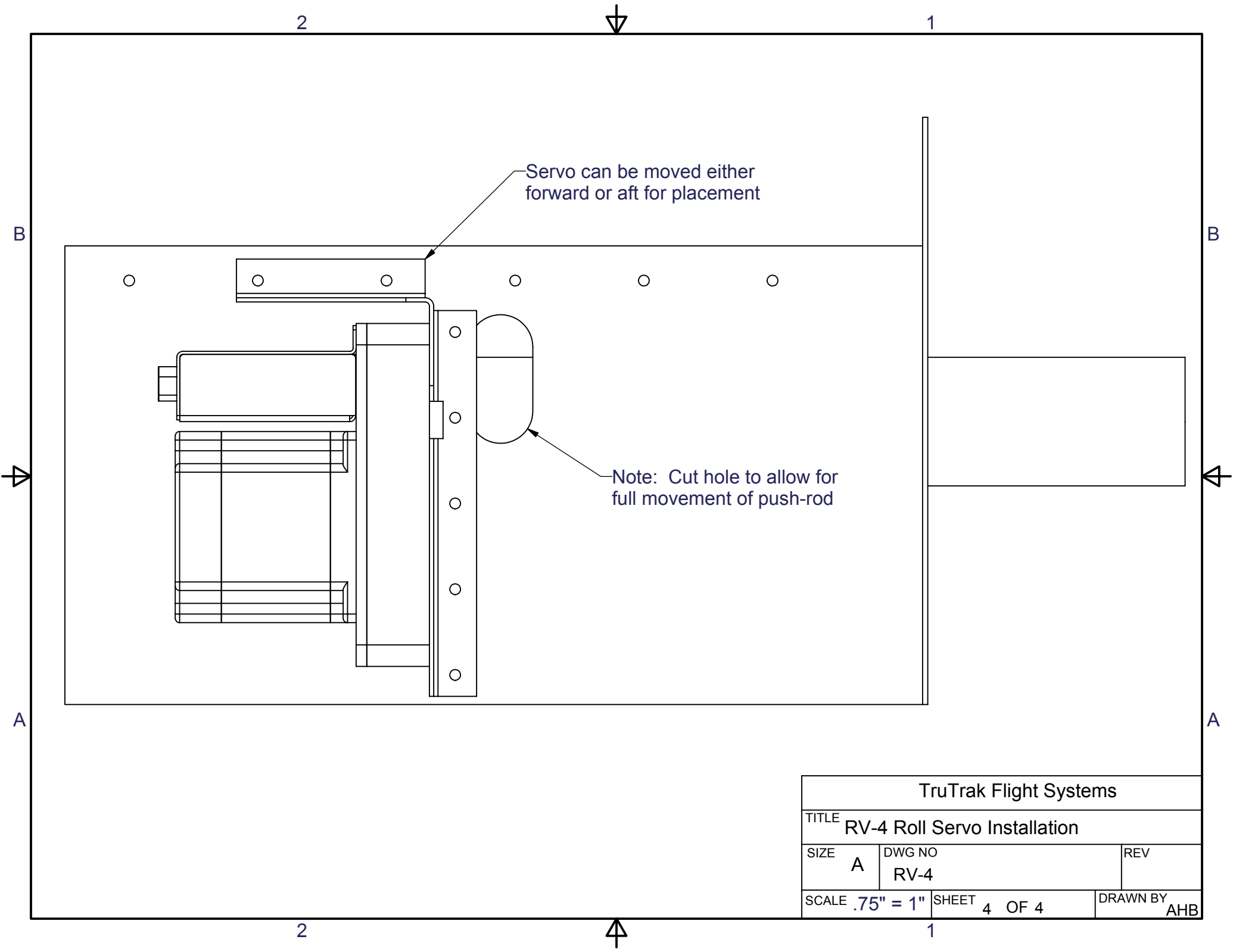


TruTrak Flight Systems		
TITLE <b>RV-4 Roll Servo Installation</b>		
SIZE <b>A</b>	DWG NO <b>RV-4</b>	REV
SCALE	SHEET <b>2</b> OF 4	DRAWN BY <b>AHB</b>



Part #	Description
1	Servo assembly
2	Servo mount bracket
3	Push-rod assembly
4	Torque tube bracket

TruTrak Flight Systems			
TITLE <b>RV-4 Roll Servo Installation</b>			
SIZE <b>A</b>	DWG NO <b>RV-4</b>	REV	
SCALE <b>1" = 2"</b>	SHEET <b>3</b> OF 4	DRAWN BY <b>AHB</b>	



Servo can be moved either forward or aft for placement

Note: Cut hole to allow for full movement of push-rod

TruTrak Flight Systems			
TITLE <b>RV-4 Roll Servo Installation</b>			
SIZE <b>A</b>	DWG NO <b>RV-4</b>	REV	
SCALE <b>.75" = 1"</b>	SHEET <b>4</b> OF <b>4</b>	DRAWN BY <b>AHB</b>	