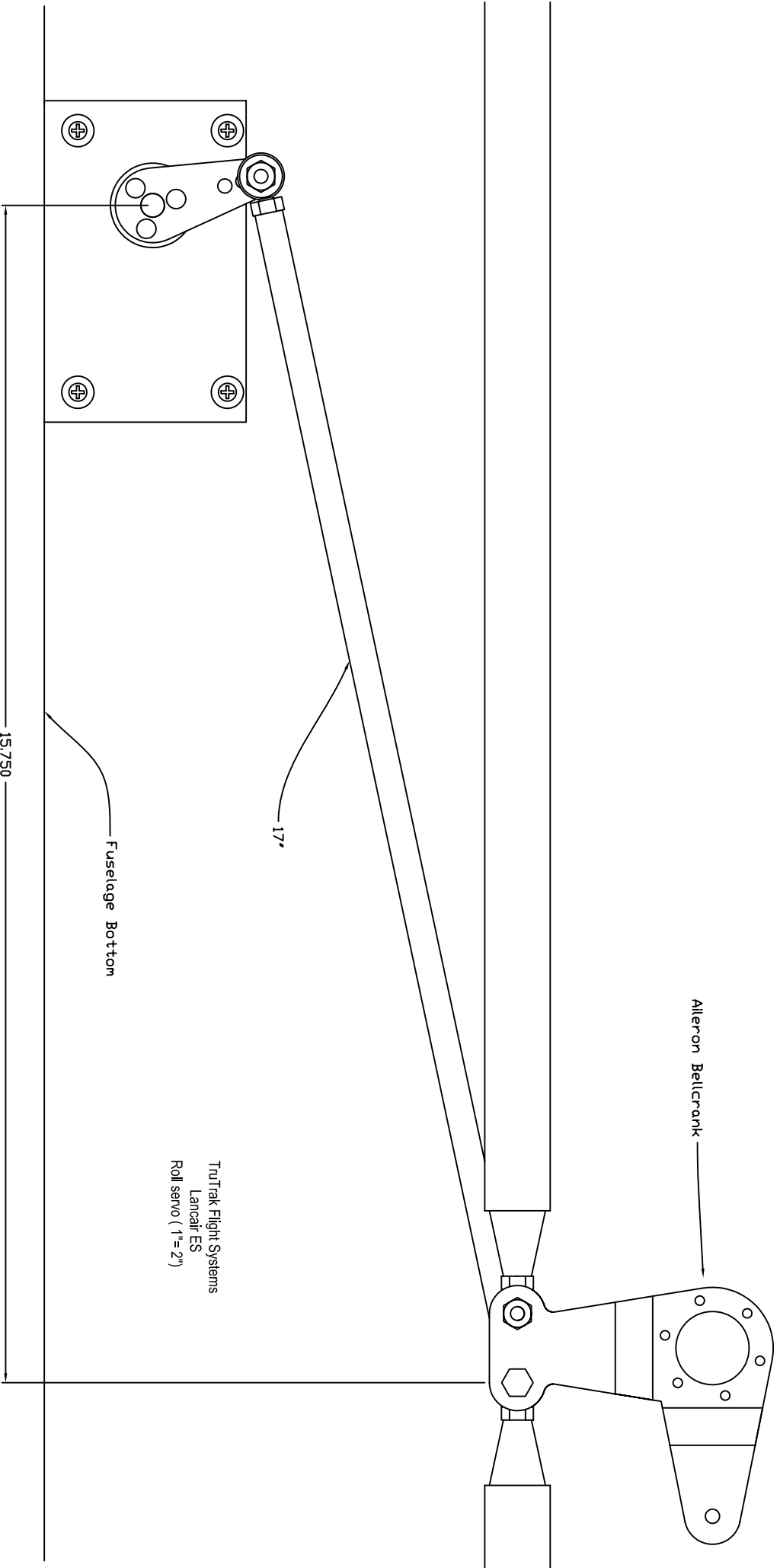
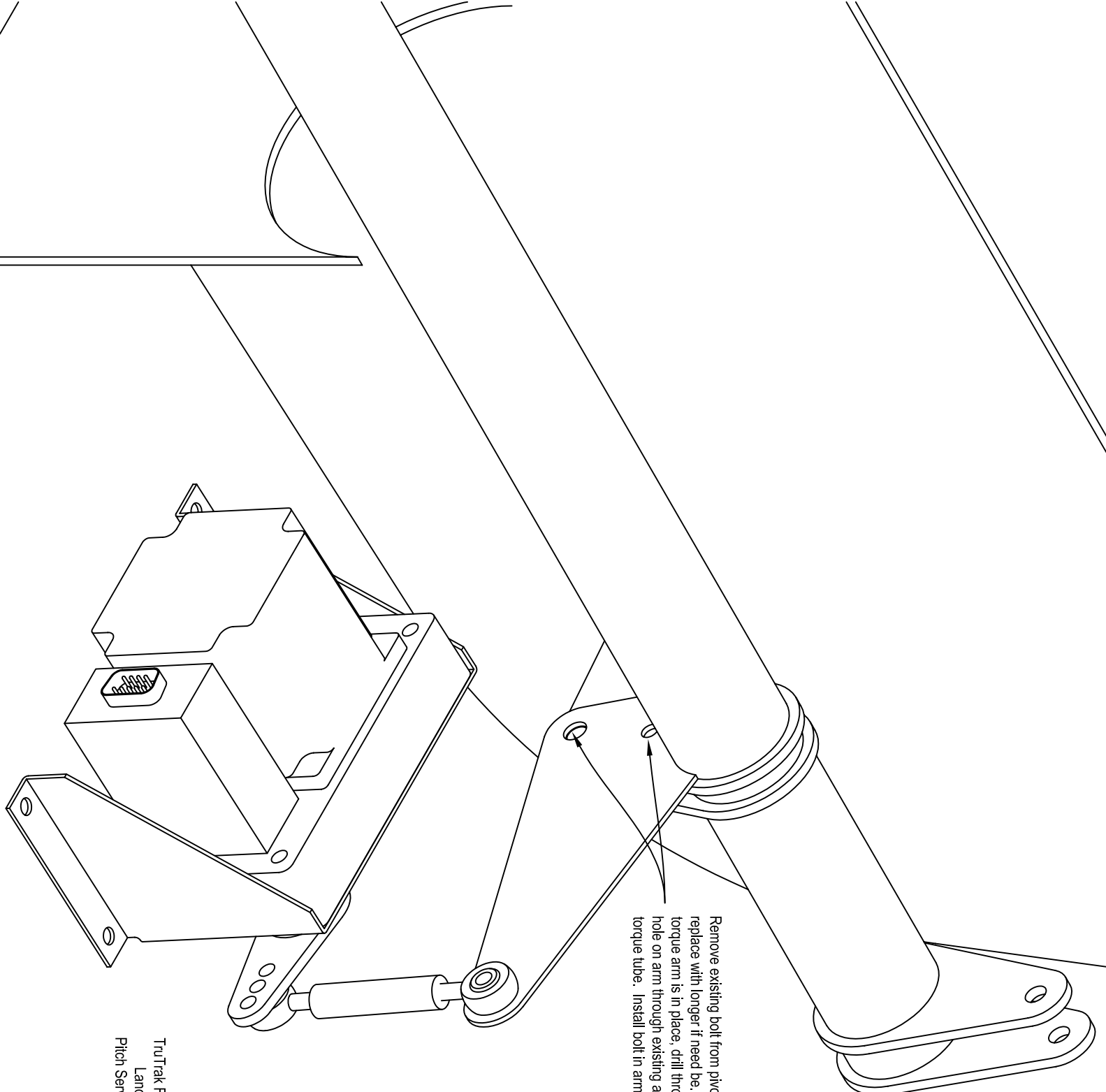


0.550" aluminum bushing supplied

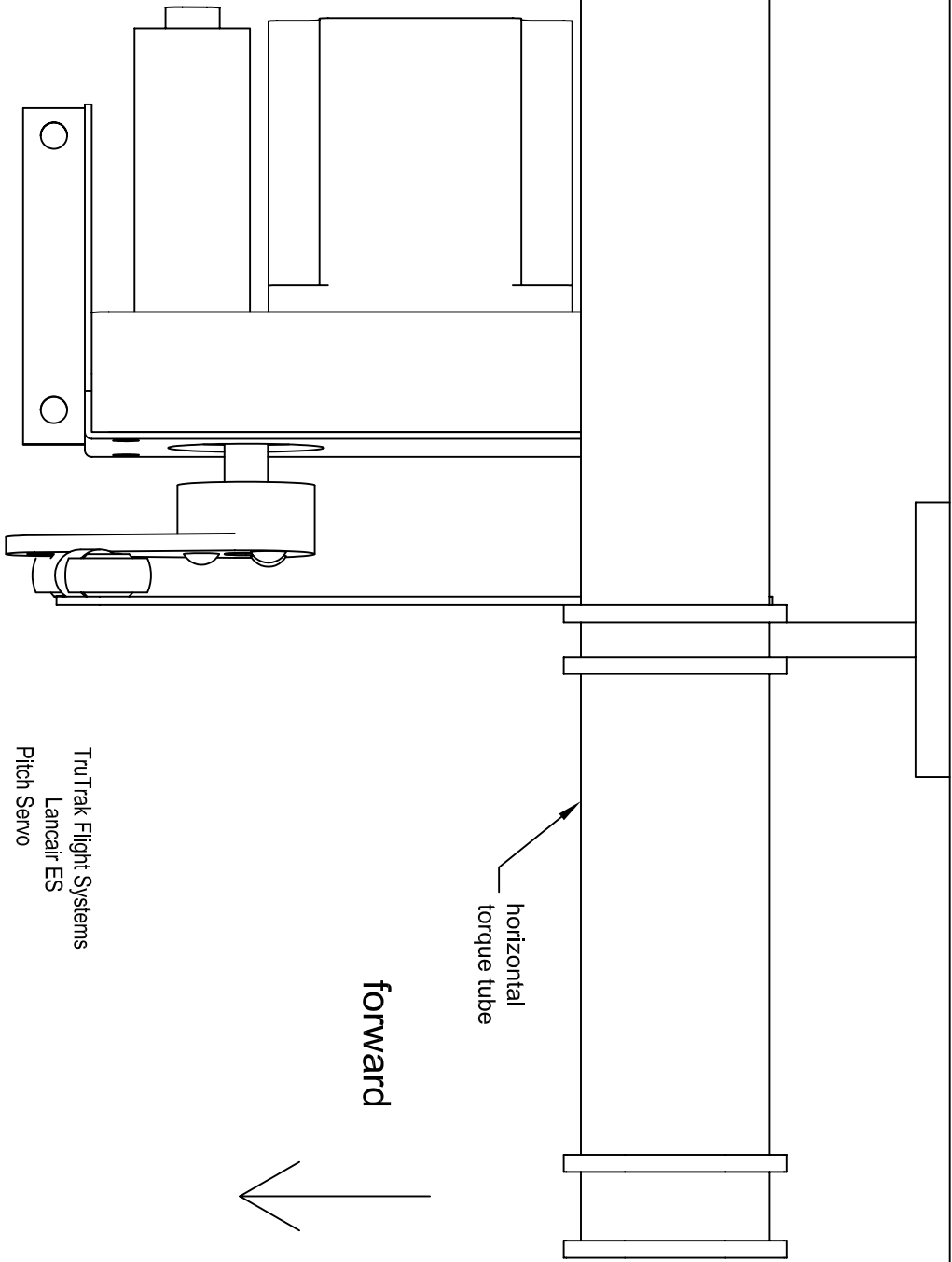


TruTrak Flight Systems
Lancair ES
Roll servo (1" = 2")

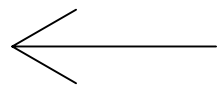


Remove existing bolt from pivot point, and replace with longer if need be. Once torque arm is in place, drill through 3/16 hole on arm through existing arm on torque tube. Install bolt in arm.

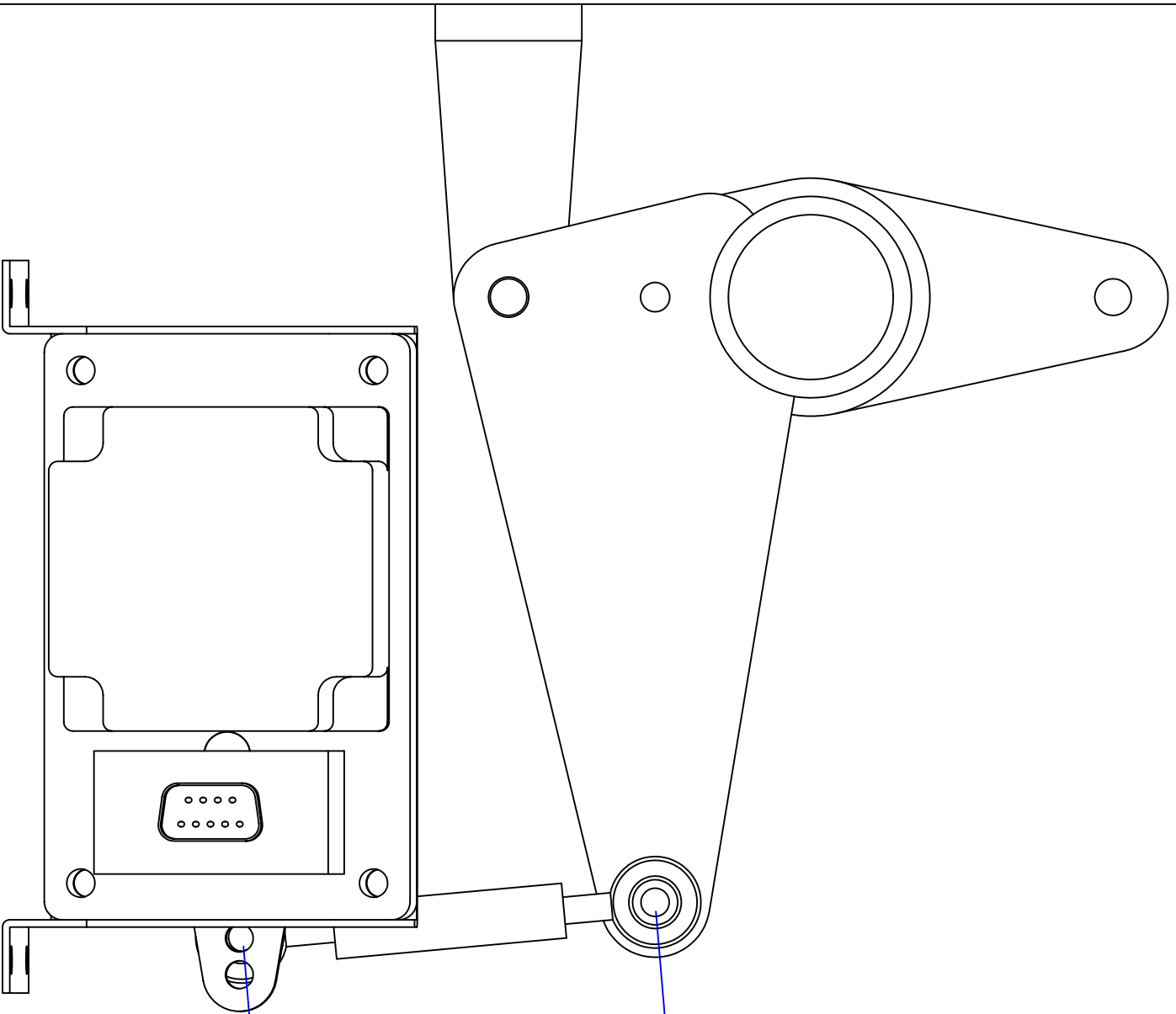
TruTrak Flight Systems
Lancair ES
Pitch Servo (no scale)



forward



TruTrak Flight Systems
Lancair ES
Pitch Servo



TruTrak Flight Systems
Lancair ES
Pitch Servo

approx.
2 7/8