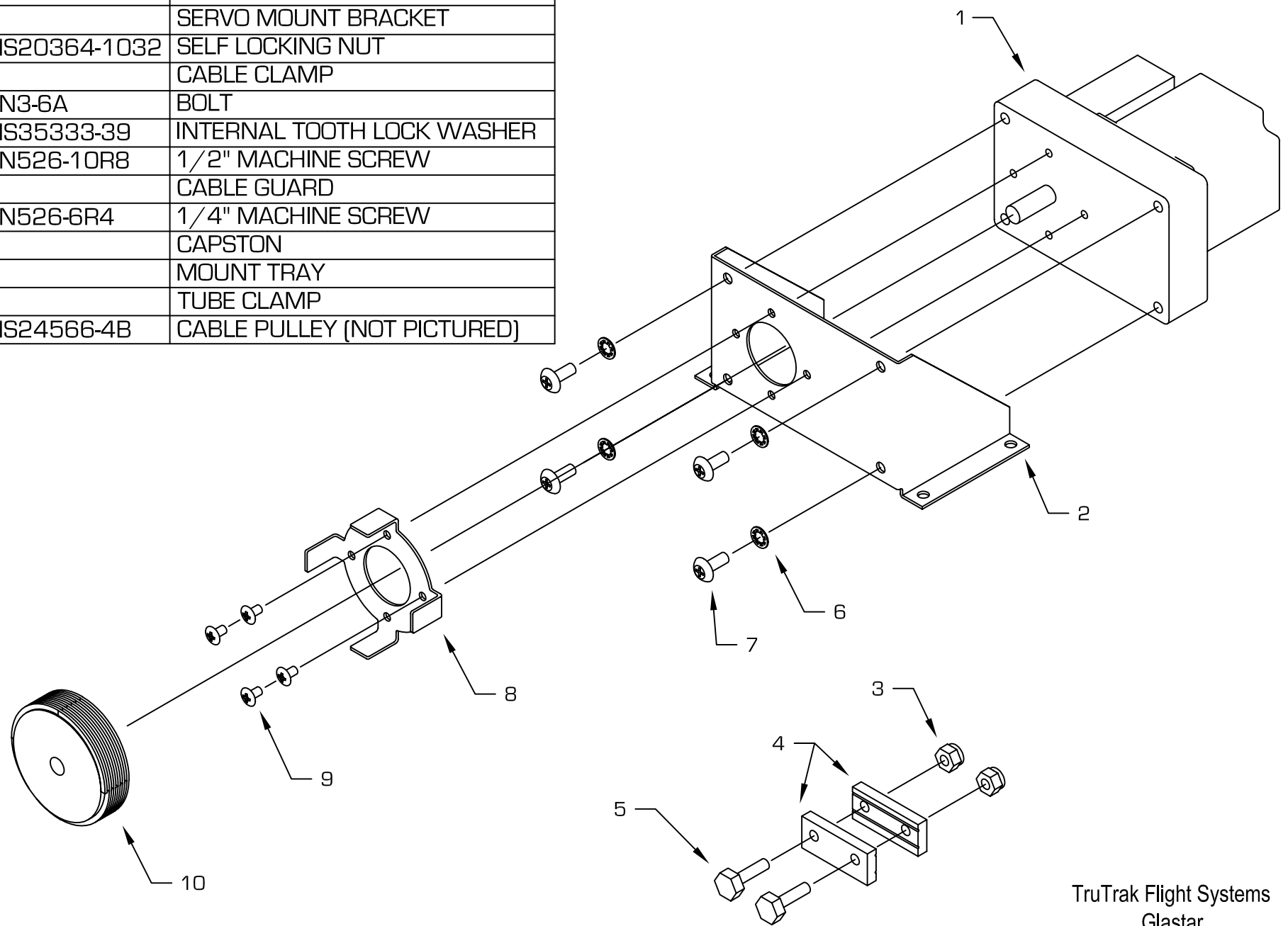
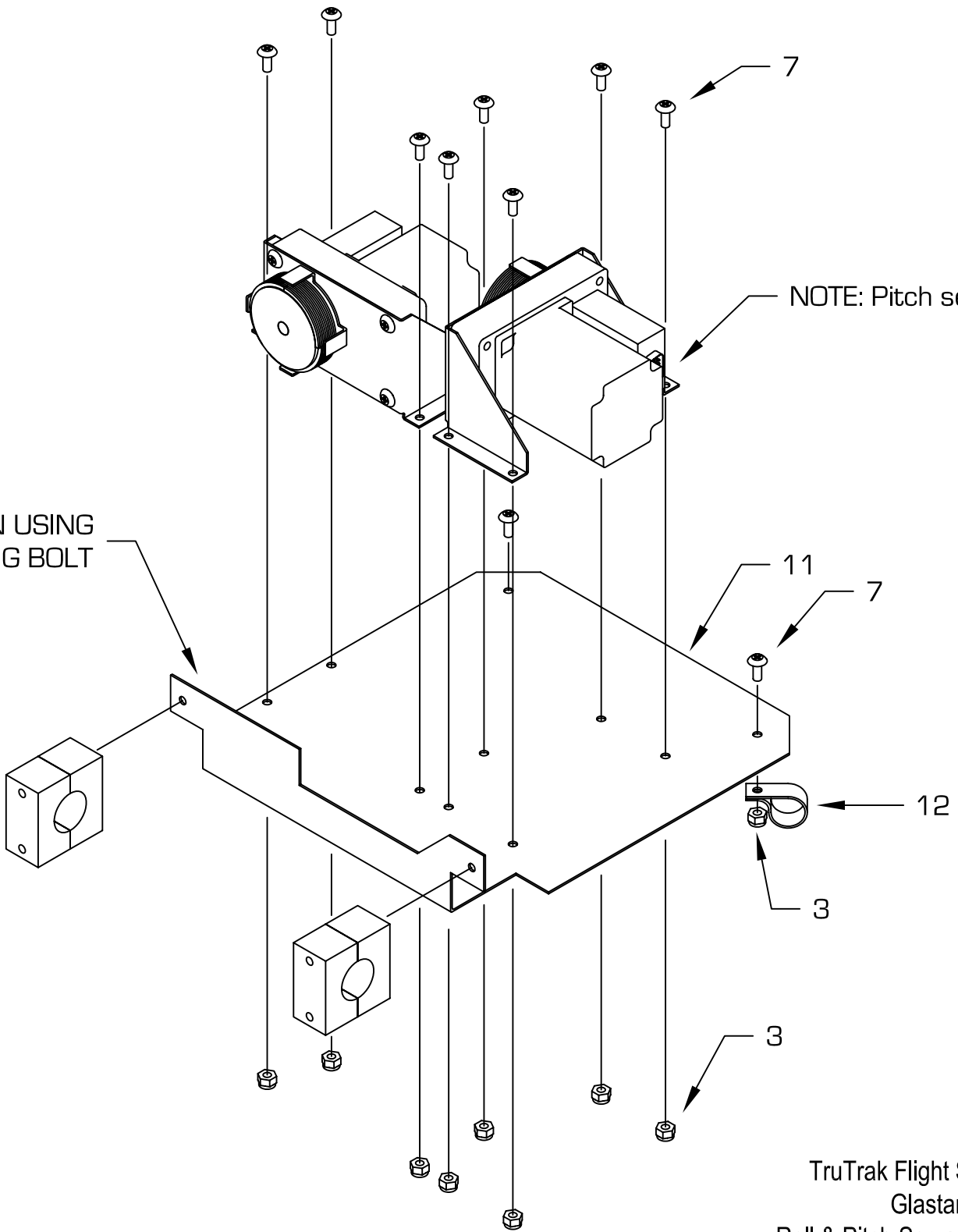


ITEM	QTY	PART NUMBER	DESCRIPTION
1	2		SERVO ASSEMBLY
2	2		SERVO MOUNT BRACKET
3	18	MS20364-1032	SELF LOCKING NUT
4	4		CABLE CLAMP
5	8	AN3-6A	BOLT
6	8	MS35333-39	INTERNAL TOOTH LOCK WASHER
7	18	AN526-10R8	1/2" MACHINE SCREW
8	2		CABLE GUARD
9	8	AN526-6R4	1/4" MACHINE SCREW
10	2		CAPSTON
11	1		MOUNT TRAY
12	2		TUBE CLAMP
	2	MS24566-4B	CABLE PULLEY (NOT PICTURED)



TruTrak Flight Systems
 Glstar
 Roll & Pitch Servo Installation

FASTEN USING
EXISTING BOLT



TruTrak Flight Systems
Glastar
Roll & Pitch Servo Installation