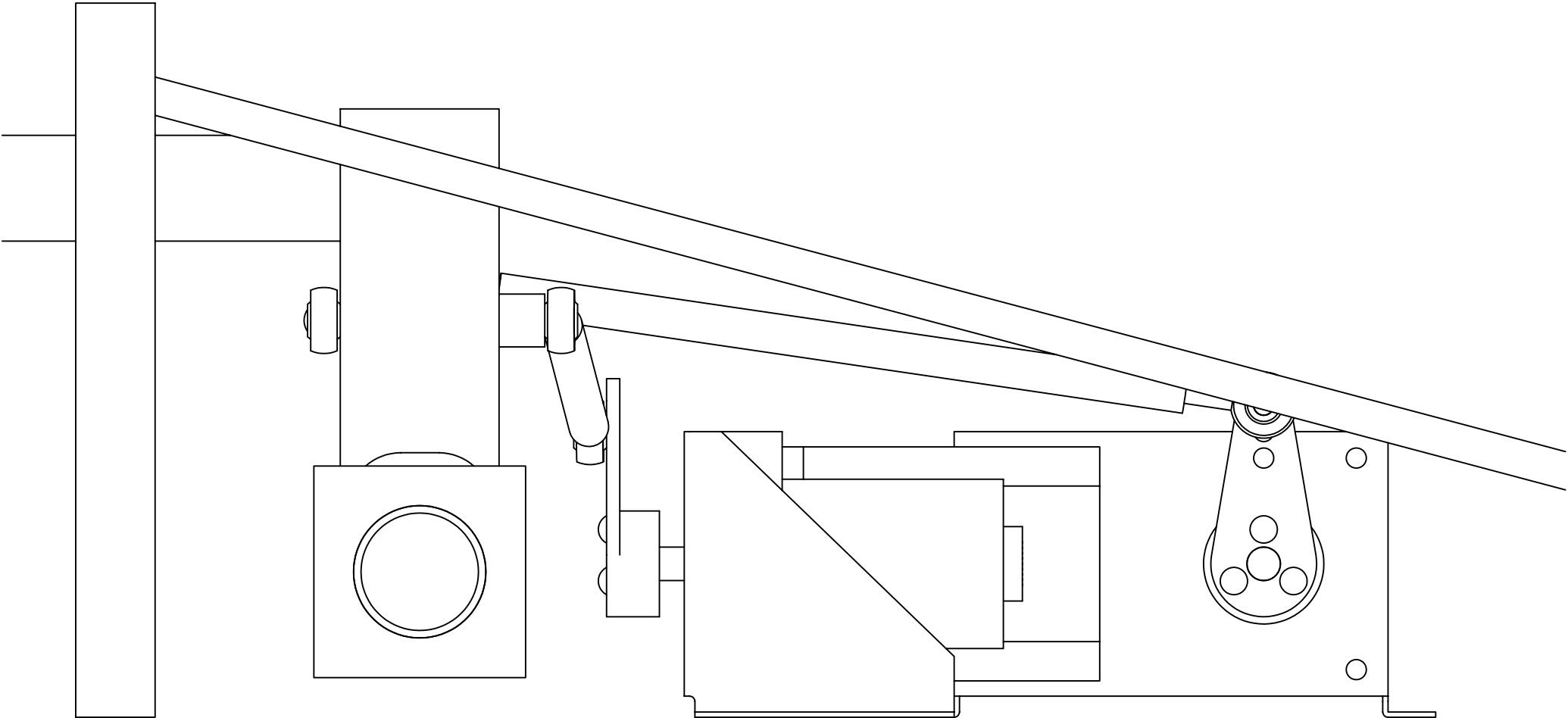


approx. 17.5"

approx. 8"

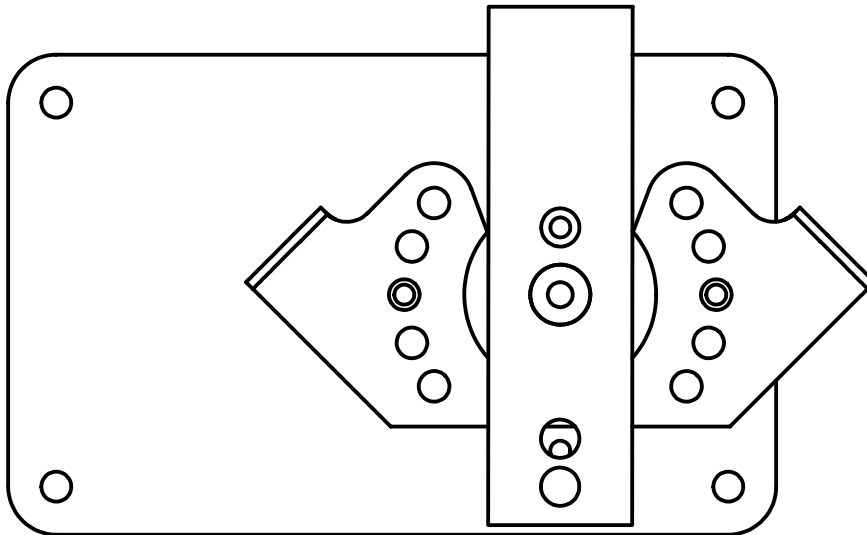


2

1

B

B



A

A

Note: for aircraft with very little control travel in roll the servo will come with an arm as shown. The installation drawings will still show the standard servo arm. Mount the servo with the arm positioned as shown, and attach the push-rod to the bottom side of the arm. Connect the other end of the push-rod to the alternate mounting location shown on the installation drawing.

TruTrak Flight Systems		
TITLE		
SIZE A	DWG NO Express Servo Assembly	REV
SCALE 1" = 1"	SHEET 1 OF 1	DRAWN BY AHB
MATERIAL		TOLERANCE

2

1

