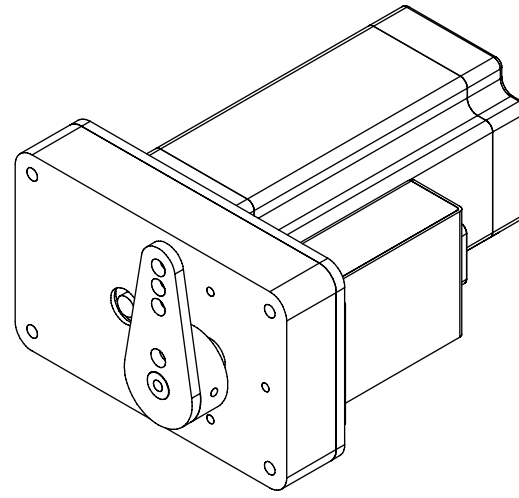
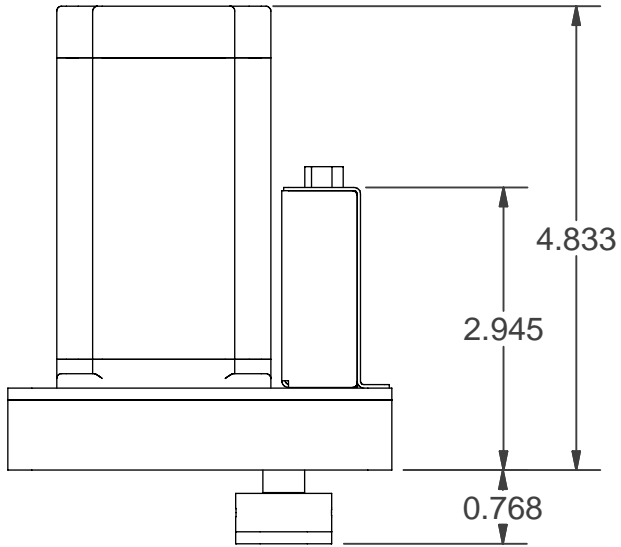
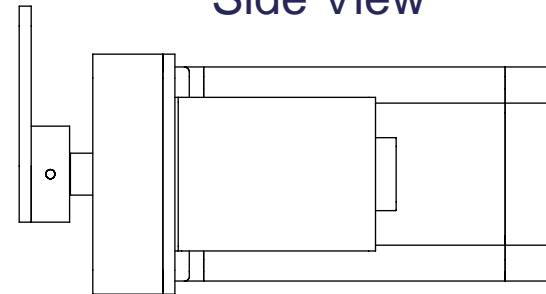


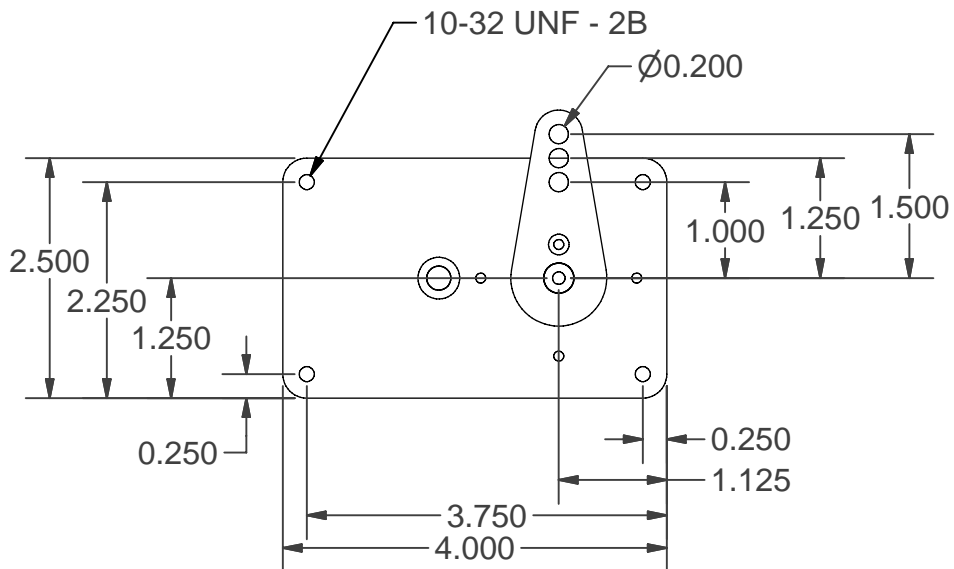
Top View



Side View



Front View



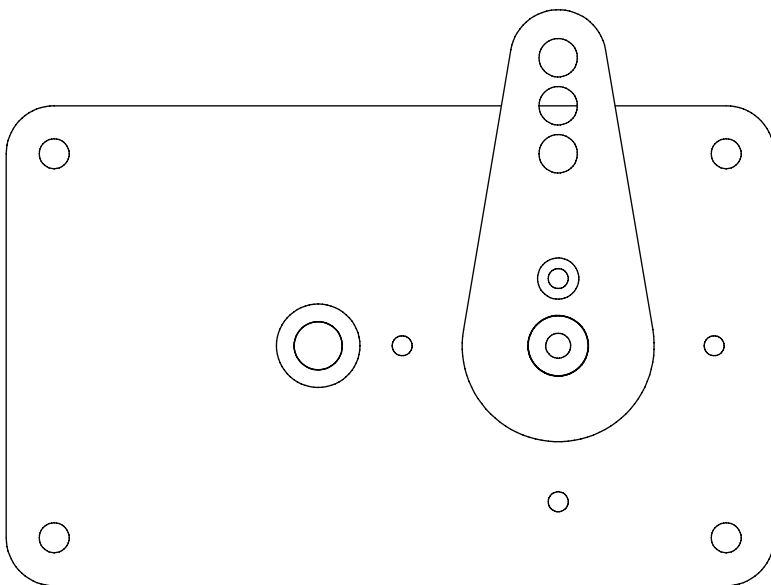
TruTrak Flight Systems			
TITLE D Servo			
SIZE A	DWG NO DSX-D	REV	
SCALE .5" = 1"	SHEET 1 OF 2	DRAWN BY AHB	
MATERIAL		TOLERANCE	

2

1

B

B



A

A

2

1



TruTrak Flight Systems			
TITLE <b>D Servo</b>			
SIZE <b>A</b>	DWG NO <b>DSX-D</b>	REV	
SCALE <b>1" = 1"</b>	SHEET <b>2</b> OF <b>2</b>	DRAWN BY <b>AHB</b>	
MATERIAL		TOLERANCE	