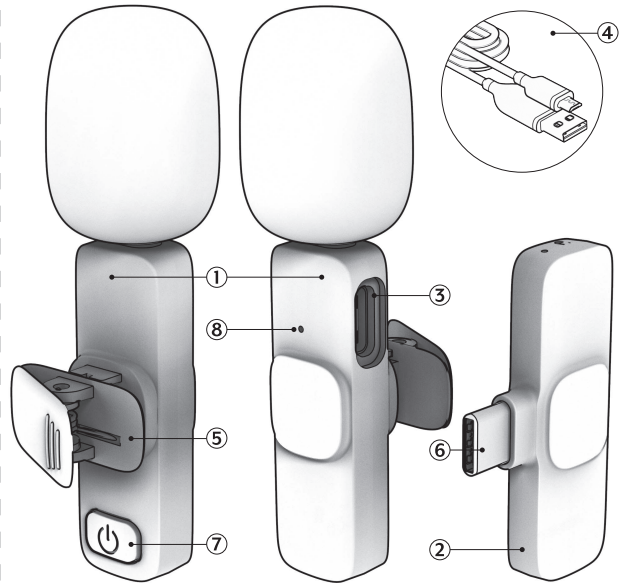




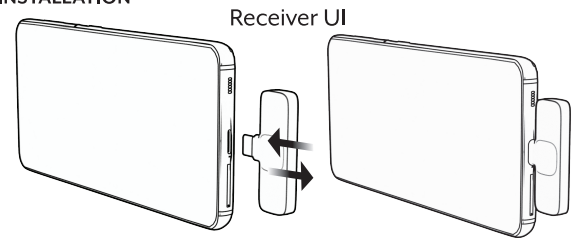
WIRELESS LAVALIER MIC
Plug and Play Clip-On Microphone

PRODUCT INTRODUCTION PARTS

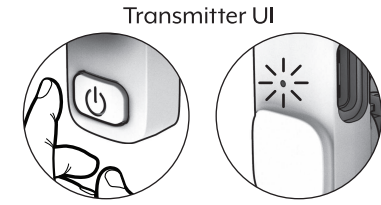
- 1 Lavalier Microphone (Transmitter UI)
- 2 USB-C Receiver
- 3 Charging Port
- 4 Charging Cable
- 5 Lavalier Clip
- 6 USB-C Connectivity
- 7 Power Button
- 8 Indicator Light



INSTALLATION



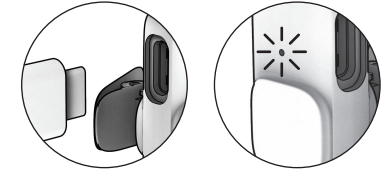
Plug into device to be power **ON** (Red light on)
Plug out from device to be power **OFF**



- ON**-Press and hold the power button for 3 seconds (Red/green lights flash alternately)
- OFF**-Press and hold the power button for 3 seconds (light goes out)
- PAIRED**-Automatic connection and pairing after startup (Green light is always on)
- NOISE REDUCTION**-Press button twice (Green light flashes 1 time, normal sound, Green light flashes 3 times, Noise reduction)

INSTALLATION

CHARGING-TYPE-C (Red light is always on, and red light is off after fully charged)



WITHOUT CONNECTION

Device will be **OFF** if no connection more than 3 minutes



SPECIFICATIONS:

Frequency Range	2.4G
Transmitter Working Current	11-12mA
Charging Interface	TYPE-C
Receiver Working Current	20-21MA
Battery Capacity	60MAH
Battery Full Voltage	4.1-4.25V
Frequency Response	35-20KHZ
Operating Temperature	-10 to 45°C
Charging Input Voltage	4.8V-5.4V
Working Time	Around 5H
Starting Current	10-11MA
Transmission Delay	30MS
Sensitivity	-42DB
Antenna	Ceramic Antenna
Transmission Distance	20 meters without obstacle
Shut Down Current	2-3uA

This device complies with part 15 of the FCC Rules. Operation is subject to the following two conditions: (1) This device may not cause harmful interference, and (2) this device must accept any interference received, including interference that may cause undesired operation.

Section: 15.21
Caution: Changes or modifications of this product is not expressly approved by the party responsible for compliance could void the user's authority to operate the equipment.
Section: 15.105
NOTE: This equipment has been tested and found to comply with the limits for a Class B digital device, pursuant to Part 15 of the FCC Rules. These limits are designed to provide reasonable protection against harmful interference in a residential installation. This equipment generates, uses and can radiate radio frequency energy, and, if not installed and used in accordance with the instructions, may cause harmful interference to radio communications. However, there is no guarantee that interference will not occur in a particular installation. If the equipment does cause harmful interference to radio or television reception, which can be determined by turning the equipment off and on, the user is encouraged to try to connect the interference by one or more of the following measures:
-Reorient or relocate the receiver antenna.
-Increase the separation between the equipment and receiver.
-Connect the equipment into an outlet on a circuit different from that to which the receiver is connected.
-Consult the dealer or an experienced radio/TV technician for help.

FCC ID# 2A2HV-WALAPMIC

FEATURES:

- The Bower Wireless Lavalier Mic is a small, compact device that allows you to record audio wirelessly without the need for cables or cords. It is easy to use and connects quickly to your USB-C device. The lavalier design allows for discreet placement on your clothing, ensuring high-quality sound while you move and speak. Perfect for content creation, video conferencing, podcasting, vlogging, and more. It is a must-have for anyone looking to improve the audio quality of their recordings.
- Plug and play
- Rechargeable Transmitter and Receiver
- Omnidirectional Sound and Noise Reduction

***USB-C to Lightning Audio Adapter required for iPhone/iPad devices with a Lightning port (not included).**

LIMITED One (1) Year Limited Warranty

S. Bower Inc.™ One (1) Year Limited Warranty: This warranty gives you specific legal rights and you may have other rights which vary from state to state.

The S. Bower Inc.™ Limited Warranty is a voluntary manufacturer's warranty provided to the consumer. This warranty provides rights separate to rights provided by consumer law, including but not limited to those relating to non-conforming goods. S. Bower Inc.™ One-Year Limited Warranty benefits are in addition to, and not instead of, rights provided by consumer law and it does not exclude, limit or suspend a buyer's rights arising from consumer law. Consumers have the right to choose whether to claim service under the S. Bower Inc.™ One-Year Limited Warranty or under their consumer law rights. The S. Bower Inc.™ One-Year Limited Warranty terms and conditions shall not apply to consumer law claims, contact your local consumer organization. Please note: All claims made under the S. Bower Inc.™ One-Year Limited Warranty will be governed by the terms set out in this warranty document. S. Bower Inc.™ warrants to the product owner that this product will be free against defects in materials and workmanship for a period of ONE (1) YEAR from the date of original retail purchase when used in accordance with S. Bower Inc.™'s user manual. Under this warranty, you will be able to send your claims and defective product to S. Bower Inc.™, via freight prepaid, along with proof of purchase, and will be repaired or replaced, based on S. Bower Inc.™ sole discretion. Repair and/or replacement may be made with new or refurbished product components at S. Bower Inc.™ sole discretion. This limited warranty does not cover failures due to abuse, accidental damage or when repairs have been made or attempted by anyone other than S. Bower Inc.™ personnel. A defective product meeting the warranty conditions set forth herein will be replaced or repaired at no charge in either of two ways: The first, which will result in exchanges only, is to return the product to the retailer from whom it was purchased (provided that the store is a participating retailer). Returns should be made within the time period of the retailer's policy for exchanges. Proof of purchase may be required. Please check with the retailer for its specific return policy regarding time limits for returns or exchanges. The second option is to send the product (prepaid freight) to S. Bower Inc.™ corporate offices located at S. Bower Inc. 38-09 43rd Avenue 1st Floor Long Island City, NY 11101 for repair or replacement at S. Bower Inc.™'s option. Proof of purchase is required. Include name, return address, and issues that you are experiencing with S. Bower Inc.™ products. All other guarantees, express or implied, are hereby disclaimed.

This warranty does not apply to products sold in countries sold out of the United States.