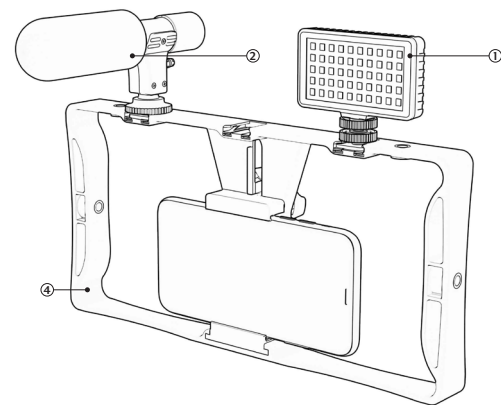


VLOGGER PRO KIT
ULTIMATE SMARTPHONE
VLOGGING SETUP



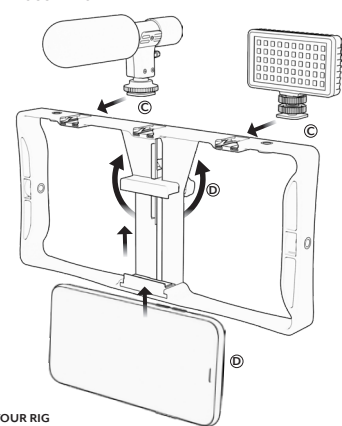
USER
MANUAL

PRODUCT INTRODUCTION PARTS VLOGGER PRO KIT



- 1 LED light
- 2 HD Microphone
- 3 Remote Shutter
- 4 RIG that holds cellphone

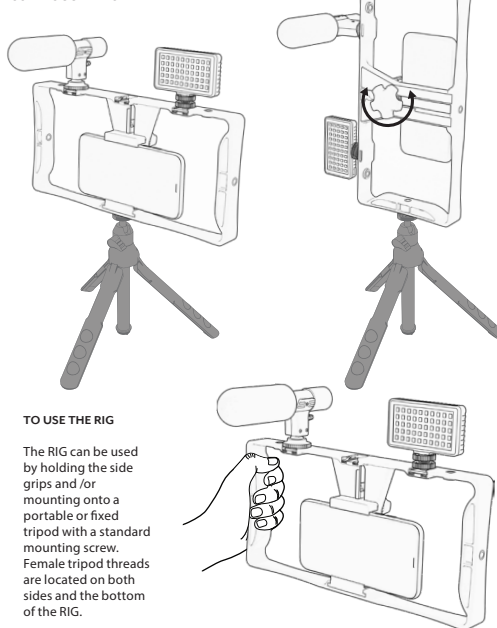
INSTALLATION VLOGGER PRO KIT



SETTING UP YOUR RIG

- A. Remove everything from the packaging.
 - B. Ensure everything is fully charged.
 - C. Attach the Microphone and LED Light to the cold shoe mounts on the top of the RIG by sliding them into the shoe and gently turning the knob to tighten (see images below). You can mount each on either shoe.
 - D. Place your cell phone into the phone mount on the RIG and gently turn the knob clockwise on the backside of the RIG to secure your phone into place (see image below).
- * NEVER FORCE ACCESSORIES OR OVER TIGHTEN ANY OF THE KNOBS
* PHONE, LED LIGHT AND MICROPHONE SHOULD ALL FIT SNUG BEFORE YOU BEGIN TO USE THE RIG

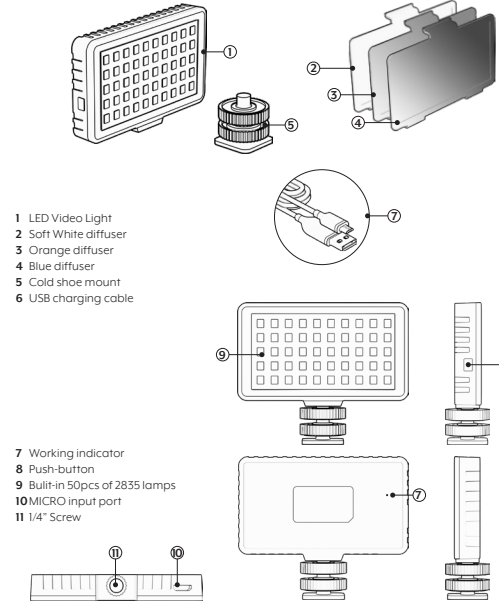
USE VLOGGER PRO KIT



TO USE THE RIG

The RIG can be used by holding the side grips and/or mounting onto a portable or fixed tripod with a standard mounting screw. Female tripod threads are located on both sides and the bottom of the RIG.

PRODUCT INTRODUCTION PARTS 50 LED VIDEO LIGHT

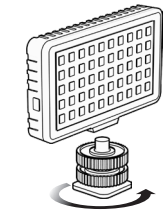


- 1 LED Video Light
- 2 Soft White diffuser
- 3 Orange diffuser
- 4 Blue diffuser
- 5 Cold shoe mount
- 6 USB charging cable

- 7 Working indicator
- 8 Push-button
- 9 Built-in 50pcs of 2835 lamps
- 10 MICRO input port
- 11 1/4" Screw

SPECIFICATION 50 LED VIDEO LIGHT

Charging time	Approx. 120 minutes
Built-in battery	3.7V 500mAh
Max power	3.5W
Luminous flux (brightness)	>350lm (4.2V) (Battery is 4.2V, third level)
Color temperature	6500K (±500K)
Color temperature Ra	>80
Lamp qty	50
Dimming range	Three level brightness
Illumination angle	120°
Battery life	Approx. 40 minutes with continuously working in third rating
Ambient temperature	-10-35, -10-60
Working temperature is	-10°C-35°C
Storage temperature is	-10°C-60°C
Input port	Micro
Charing current	5V0.5A
Fixed interface	1/4 Screw
Weight	About 30.8g
Size	73 x 42 x 10.5mm



Screw the shoe mount adapter to the bottom of the light. Be sure it is secure.

FEATURES 50 LED VIDEO LIGHT

- High-power 50-LED smartphone light
- Provides powerful light for increased luminance
- Super-thin (0.4"), lightweight and pocket-size design
- Cooling, warming and diffusing plates for adjustable color temperature
- Perfect for creating professional videos, as well as, still photography

OPERATION

Turn On / Off
Long press the "On/Off" button for about 2 seconds to turn LED light on or off

Adjusting the light temperature

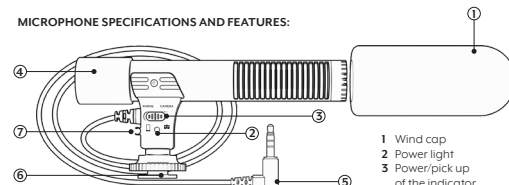
Important: Please only attach diffusers on to led light in "off" mode. Adjust the light temperature with detachable diffusers (Soft White, Orange, Blue.) Attach the diffusers to the front of the LED light by placing them on to the front of the light and click it in place.
* Do not force diffuser to front of LED light. It should click on easy

Colors achieve the below effects:
Achieve softer light with the Soft white diffuser
Increase the warming effect with the Orange diffuser
Increase the cooling effect with the Blue diffuser

CHARGING:

Connect the micro USB charging cable to the LED body. Charge via USB port on wall charger (not included) or portable battery (not included.)

MICROPHONE SPECIFICATIONS AND FEATURES:



- 1 Wind cap
- 2 Power light
- 3 Power/pick up of the indicator
- 4 Battery cover
- 5 Mini stereo Connector
- 6 Slide rail adapter
- 7 Wire clip

The Bower Professional Microphone is specially designed for both smartphone and camera use. The microphone is compact, lightweight, and connects to cameras and mobile devices that have a standard 3.5mm auxiliary / audio input. The phone / camera microphone is a high-quality shotgun condenser microphone designed to capture clear audio while reducing background noise with built-in, high-quality electronic components, to enhance sound while in use.

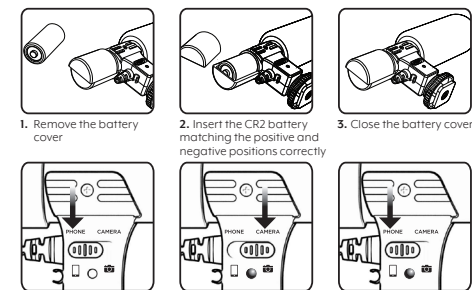
PRODUCT FEATURES:

1. The Bower Professional Microphone is an ultra-high sensitivity microphone with a wide range of uses. Use the microphone for professional interviews, videos, etc. with an enhanced high-performance super-cardioid pickup, alongside single-head mutual complementary sound gathering technology. This microphone has a wide frequency response, and high-definition sound resolution.
2. The Bower Professional Microphone is powered by a CR2 battery that will increase usage time. Microphone should be kept in mobile mode, which is the off mode, in order to preserve the life of the battery when not in use.
3. The Bower Professional Microphone in phone mode is perfect for interviews, ambient audio, music, live broadcasts, Social Media and so much more. The microphone in camera mode is primarily designed for vlogging, interview and other professional fields.

GENERAL HANDLING

1. Gently slide the shoe mount adapter into the mount on the top of the phone holder.
2. Expand phone mount and gently insert your phone so, it is flush against the back support of the phone holder.
3. Test by gently shaking to make sure the phone is secure.

BATTERY INSTALLATION:



FOR USE WITH CAMERA:

- a. Connect the rail connector to the camera attachment securely by twisting into place.
- b. Connect the microphone mini stereo plug to the camera's microphone input port.
- c. Move the switch from left to right on the microphone (or phone mode to camera mode) on microphone and
- d. red battery light will power on.

FOR USE WITH SMARTPHONE:

- a. Place microphone in phone mode
 - b. Red battery light will power on when connected to the phone using phones power.
 - c. Connect microphone mini stereo cable into the mobile phone's input port.
- * If phone or camera does not have an 3.5mm aux/audio input you will need to purchase a connector.
For Apple™ Inc, iPhone 7 model or later lightning to aux adapter required.

PERFORMANCE PARAMETERS:

Frequency response: 100-16,000 HZ
Sensitivity: -40dB±2dB (0dB+1V/Pa 1K HZ)
Pointing to the features: single directional x 2
Output impedance: 200 Ω
Signal-to-noise ratio: 76 dB (1 KHZ at 1 PA)
The loudest level: 120dB (at 1K HZ harmonic distortion)
Power supply: CR2 Battery - 3V DC

PRODUCT SPECIFICATIONS:

Type: M5 (Mid - Side) stereo wire
Length: About 28 cm
Power requirements: 3V CR2 battery
Battery life: Approximately 800 hours depending on usage and storage
Size: 30.5x61x32.5 mm (not including conductor)
Weight: About 45 g (not including battery)

ACCESSORIES:

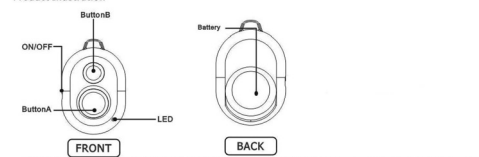
- 3V CR2 lithium battery (1)
- Operating instructions (1)

NOTICE:

1. The microphone is very sensitive, do not drop, knock, or shake aggressively.
2. Keep microphone away from extreme heat and humidity, especially temperatures above 60°C.
3. If the microphone is placed next to a speaker, it may produce a whistler due to acoustic feedback. Keep the microphone away from speakers or other devices that cause acoustic feedback. You can also try to lower the volume of the speaker to eliminate acoustic feedback.
4. If the Indicator light is off, check the battery to ensure that it was installed correctly.
6. When the battery is low, the brightness of the indicator light becomes very weak. Please replace the battery at this time.
7. If wind cap is exposed to water, immediately put in the shade to dry, to prevent insolate ageing. Do not put in drying machine.

REMOTE SHUTTER INSTRUCTIONS

Product Illustration



Battery
Please install the battery with the positive electrode facing up

How To Use

Easy to set up, Easy to use



1. Turn on the power button (located at the side of remote), indicator LED flashes and «Bower Shutter» will enter into pairing mode.
2. Turn on your smartphone and search for «Bower Shutter» device
3. Select the device of «Bower Shutter» from the list and pairing will be finished automatically in few seconds.

LIMITED One (1) Year Limited Warranty

S. Bower Inc.™ One (1) Year Limited Warranty: This warranty gives you specific legal rights and you may have other rights which vary from state to state.

The S. Bower Inc.™ Limited Warranty is a voluntary manufacturer's warranty provided to the consumer. This warranty provides rights separate to rights provided by consumer law, including but not limited to those relating to non-conforming goods. S. Bower Inc.™ One-Year Limited Warranty benefits are in addition to, and not instead of, rights provided by consumer law and it does not exclude, limit or suspend a buyer's rights arising from consumer law. Consumers have the right to choose whether to claim service under the S. Bower Inc.™ One-Year Limited Warranty or under their consumer law rights. The S. Bower Inc.™ One-Year Limited Warranty terms and conditions shall not apply to consumer law claims, contact your local consumer organization.

Please note: All claims made under the S. Bower Inc.™ One-Year Limited Warranty will be governed by the terms set out in this warranty document.
S. Bower Inc.™ warrants to the product owner that this product will be free against defects in materials and workmanship for a period of ONE (1) YEAR from the date of original retail purchase when used in accordance with S. Bower Inc.™'s user manual. Under this warranty, you will be able to send your claims and defective product to S. Bower Inc.™, via freight prepaid, along with proof of purchase, and will be repaired or replaced, based on S. Bower Inc.™ sole discretion. Repair and/or replacement may be made with new or refurbished product components at S. Bower Inc.™ sole discretion. This limited warranty does not cover failures due to abuse, accidental damage or when repairs have been made or attempted by anyone other than S. Bower Inc.™ personnel. A defective product meeting the warranty conditions set forth herein will be replaced or repaired at no charge in either of two ways: The first, which will result in exchanges only, is to return the product to the retailer from whom it was purchased (provided that the store is a participating retailer). Returns should be made within the time period of the retailer's policy for exchanges. Proof of purchase may be required. Please check with the retailer for its specific return policy regarding time limits for returns or exchanges. The second option is to send the product (prepaid freight) to S. Bower Inc.™ corporate offices located at S. Bower Inc. 38-09 43rd Avenue 1st Floor Long Island City, NY 11101 for repair or replacement at S. Bower Inc.™'s option. Proof of purchase is required. Include name, return address, and issues that you are experiencing with S. Bower Inc.™ products. All other guarantees, express or implied, are hereby disclaimed.

This warranty does not cover products sold outside of the United States.