

# TABLETOP RING LIGHT KIT

WITH TABLETOP BALLHEAD TRIPOD + PHONE HOLDER



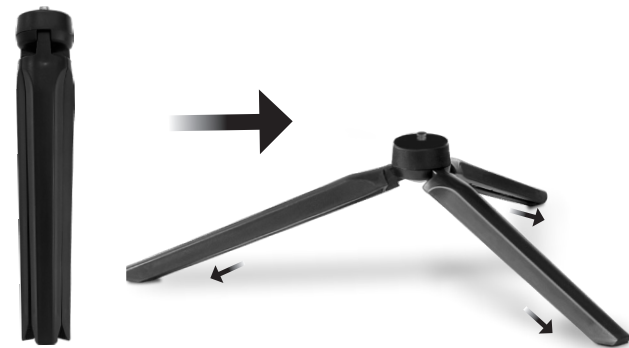
10"  
USER MANUAL

## PRODUCT PARTS INTRODUCTION

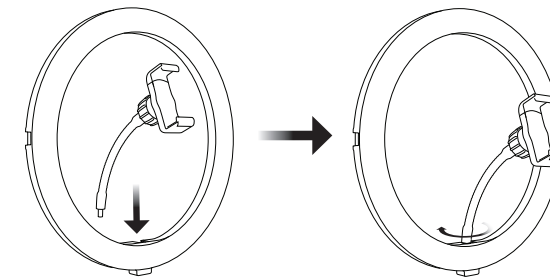


## INSTALLATION

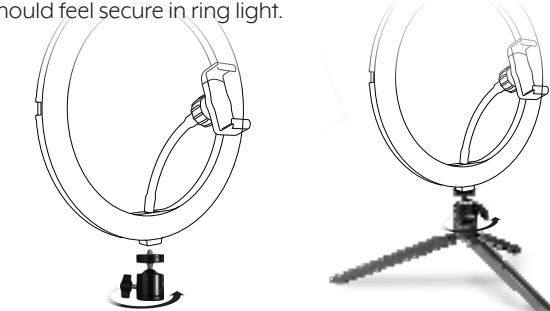
The legs to the tabletop tripod should be open and extended fully to provide full support on a flat surface. Please make sure that the legs are secure when attaching the other parts to the tripod.



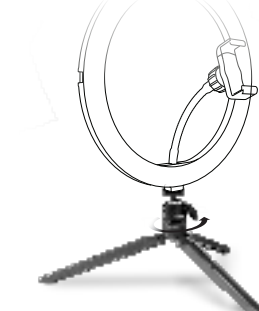
## INSTALLATION



**Step 1:** Attach the phone holder with pivot mount by screwing mount into the ring light. Do not over twist and force. Mount should feel secure in ring light.

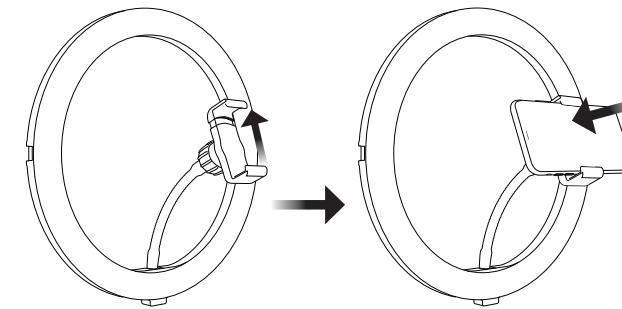


**Step 2:** Attach the ball head into bottom of ring light by screwing ball head into light ring light. Do not over twist and force. Ball head attachment should feel secure in ring light.

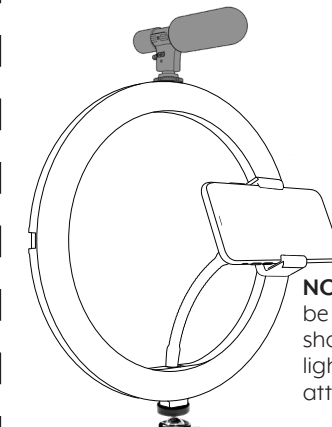


**Step 3:** Attach the tripod into bottom of ball head mount by screwing tripod into ball mount. Do not over twist and force. Tripod should feel secure in ball mount.

## INSTALLATION



**Step 4:** Secure your smartphone into holder by opening spring adjusted clamp. Do not force.



**NOTE:** Additional accessories can be used with the ring light's 3 cold shoe mounts. Diagram shows ring light with external microphone attachment (sold separately).

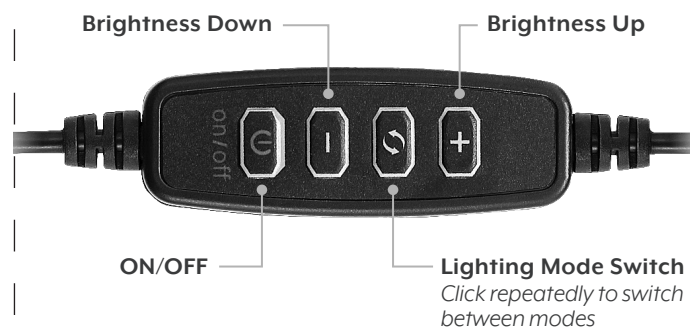
## HOW TO USE

Connect USB cable from LED light to a USB source such as a computer, power bank, or USB wall charger. Press power button (ON/OFF) on the cable's remote control to turn on light.



## HOW TO USE (Remote control on cable)

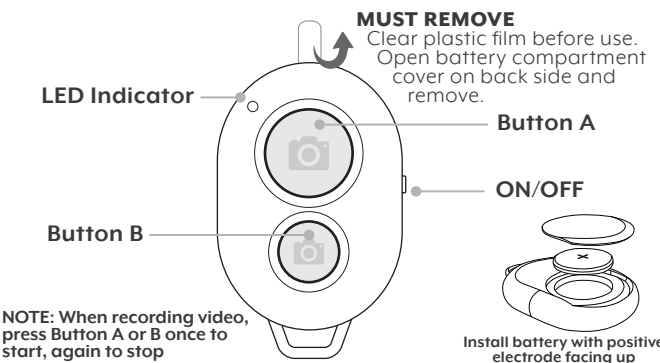
### UNDERSTANDING THE CONTROLS



### 3 LIGHT MODES + 10 LEVELS OF BRIGHTNESS



## HOW TO USE (Wireless Remote Shutter)



### Easy to set up, Easy to use

- 1 STEP** Pairing
- 2 STEP** Turn on camera
- 3 STEP** Shooting

- Turn on the power button (located at the side of remote), indicator LED flashes and "AB Shutter3" will enter into pairing mode.
- Turn on your smartphone's Bluetooth settings and search for "AB Shutter3" name.
- Select the device "AB Shutter3" from the list and pairing will be finished automatically in a few seconds.

This device complies with part 15 of the FCC Rules. Operation is subject to the following two conditions: (1) This device may not cause harmful interference, and (2) this device must accept any interference received, including interference that may cause undesired operation.

## FEATURES:

- Dimmable LED ring light: LED light for an adjustable lasting brightness. Choose from three (3) light colors and ten (10) levels of brightness within each mode
- Easy to use control cord to power on/off or switch to the lightning mode you prefer. Ring light makes every photo and video present more professional
- Compatible with most smart phones, phones width should be between 2.3-3.6 inches. Phones with large cases might not fit as well
- Making videos at night or taking a great selfie has never been easier especially in dark areas. Great for creating live videos with smartphones, perfect for vlogging, live videos video chats, social media, live streaming, health and beauty videos and more
- USB powered – No battery required, works with most devices that support USB port, like a computer, power bank, USB charger, etc.
- Wireless remote shutter - allows you to control your phone and snap hands free photos. Android and iOS compatible.

## SPECIFICATION:

Lamp beads:	128
Color temperature:	3000K-6000K
Illumination:	2800LM
Power:	12 w
Input voltage:	USB-5V 2A

Please read and follow these instructions.

## Disclaimer:

This manual should be kept for future reference and maintenance purposes only. Be sure to review this manual and become familiar with its features before using this product. Please make sure to never change the light bulb while plugged into an outlet or other power source. Do not open or change wiring in anyway. Keep this product away from children. Clean this product often with a soft, dry cloth. This product shall ONLY be used with rated voltage and frequency. Do not try and alter power supply or adjust voltage. Avoid unplugging the power by pulling the power cord and do not touch the power cord with wet hands. Never attempt to insert any metal objects into the cooling holes of illuminators. Avoid moving the illuminator by pulling the power cable. Stop using this product if the unit is damaged, especially the power cord. Do not use in the rain, bath, or near water source. Please be aware that improper use or inappropriate repair can lead to fire or electrocution. Indoors use only. Please send back to Bower or contact customer service for issues regarding maintenance or repair. Make sure everything is secure before proceeding. Make sure the product is intact and that there are no missing parts. All photos and illustrations are for instruction purposes only.

## LIMITED One (1) Year Limited Warranty

**S. Bower Inc.™ One (1) Year Limited Warranty: This warranty gives you specific legal rights and you may have other rights which vary from state to state.**

The S. Bower Inc.™ Limited Warranty is a voluntary manufacturer's warranty provided to the consumer. This warranty provides rights separate to rights provided by consumer law, including but not limited to those relating to non-conforming goods. S. Bower Inc.™ One-Year Limited Warranty benefits are in addition to, and not instead of, rights provided by consumer law and it does not exclude, limit or suspend a buyer's rights arising from consumer law. Consumers have the right to choose whether to claim service under the S. Bower Inc.™ One-Year Limited Warranty or under their consumer law rights. The S. Bower Inc.™ One-Year Limited Warranty terms and conditions shall not apply to consumer law claims, contact your local consumer organization. Please note: All claims made under the S. Bower Inc.™ One-Year Limited Warranty will be governed by the terms set out in this warranty document. S. Bower Inc.™ warrants to the product owner that this product will be free against defects in materials and workmanship for a period of ONE (1) YEAR from the date of original retail purchase when used in accordance with S. Bower Inc.™'s user manual. Under this warranty, you will be able to send your claims and defective product to S. Bower Inc.™, via freight prepaid, along with proof of purchase, and will be repaired or replaced, based on S. Bower Inc.™ sole discretion. Repair and/or replacement may be made with new or refurbished product components at S. Bower Inc.™ sole discretion. This limited warranty does not cover failures due to abuse, accidental damage or when repairs have been made or attempted by anyone other than S. Bower Inc.™ personnel. A defective product meeting the warranty conditions set forth herein will be replaced or repaired at no charge in either of two ways: The first, which will result in exchanges only, is to return the product to the retailer from whom it was purchased (provided that the store is a participating retailer). Returns should be made within the time period of the retailer's policy for exchanges. Proof of purchase may be required. Please check with the retailer for its specific return policy regarding time limits for returns or exchanges. The second option is to send the product (prepaid freight) to S. Bower Inc.™ corporate offices located at S. Bower Inc. 38-09 43rd Avenue 1st Floor Long Island City, NY 11101 for repair or replacement at S. Bower Inc.™'s option. Proof of purchase is required. Include name, return address, and issues that you are experiencing with S. Bower Inc.™ products. All other guarantees, express or implied, are hereby disclaimed.

**This warranty does not cover products sold outside of the United States.**