

# TOP GRIP TRIPOD

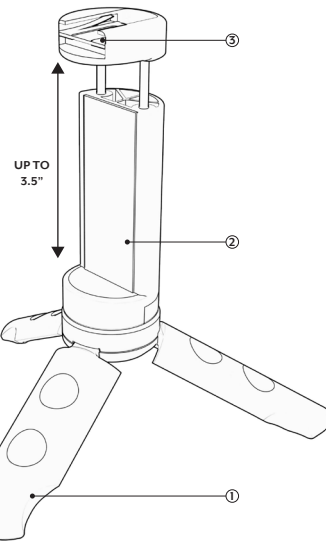
FITS FOR MOST SMARTPHONES



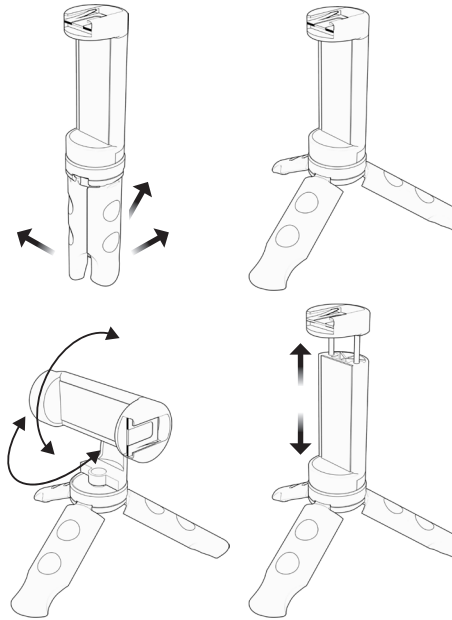
USER  
MANUAL

## PRODUCT INTRODUCTION PARTS

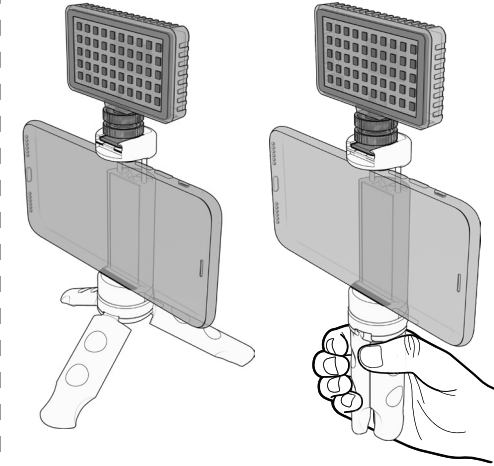
- 1 Top grip tripod
- 2 Smartphone mount
- 3 Cold shoe mount



## INSTALLATION



## INSTALLATION



## FEATURES:

1. The Bower Top Grip Tripod fits most smart phones. Actual fits will depend on smartphone and smartphone case. The minimum clamping length of mobile phone holder is 2.2 inches and the maximum clamping length is 3.5 inches.
  2. The mobile phone holder can be adjusted in a multitude of angle ranges. The tripod can be used in the horizontal or vertical mode without removing the mobile phone. The most stable use is in the 45-degree or 90-degree position.
  3. The Bower Tripod is easy to install on other devices by using 1/4 inch connection, so it can be installed on different types of tripods. The tripod part is also equipped with 1/4 thread interface, so it can be connected to all kinds of small products with 1/4 inch thread mounting capabilities.
  4. There is a cold shoe mount on the top of the mobile phone clip, which can be used to install all kinds of small equipment with cold shoe connectors. This will allow one to expand the use of the tripod with other products.
  5. Tripod bracket legs can be extended to a 60-degree angle, making the tripod more stable. The maximum working height of the product is 4.61 inches.
  6. The tripod is equipped with a round non-slip soft adhesive, which can improve the appearance and hand feel of the product.
  7. Product size: 1.22 inches x 1.22 inches x 6 inches.
- Safety:** The clamping part of mobile phone clip is made of rubber pad, which has good anti-sliding performance. Please be careful with mounting smartphone into tripod. Place tripod in safe area when using to avoid tripod being accidentally knocked over and damaging smart phone.

## SPECIFICATION

The Top Grip Smartphone Tripod holds your smartphone for viewing on a desk or tabletop for hands free viewing. It features a 360° swivel and tilt head which allows you to position your phone into the optimal horizontal or vertical viewing position and it tilts back, making your screen easier to see. The spring-loaded cradle fits devices from 2.2 to 3.5 inches and offers a low-profile standing height of 3.75 inches. Silicone feet help prevent slippage on flat surfaces, and the tripod legs, when folded, provide a grip for handheld video shooting. This lightweight and compact smartphone tripod is ideal to throw in your back pocket or bag whenever you want to view your phone hands free.

## LIMITED One (1) Year Limited Warranty

**S. Bower Inc.™ One (1) Year Limited Warranty: This warranty gives you specific legal rights and you may have other rights which vary from state to state.**

The S. Bower Inc.™ Limited Warranty is a voluntary manufacturer's warranty provided to the consumer. This warranty provides rights separate to rights provided by consumer law, including but not limited to those relating to non-conforming goods. S. Bower Inc.™ One-Year Limited Warranty benefits are in addition to, and not instead of, rights provided by consumer law and it does not exclude, limit or suspend a buyer's rights arising from consumer law. Consumers have the right to choose whether to claim service under the S. Bower Inc.™ One-Year Limited Warranty or under their consumer law rights. The S. Bower Inc.™ One-Year Limited Warranty terms and conditions shall not apply to consumer law claims, contact your local consumer organization.

Please note: All claims made under the S. Bower Inc.™ One-Year Limited Warranty will be governed by the terms set out in this warranty document.

S. Bower Inc.™ warrants to the product owner that this product will be free against defects in materials and workmanship for a period of ONE (1) YEAR from the date of original retail purchase when used in accordance with S. Bower Inc.™'s user manual. Under this warranty, you will be able to send your claims and defective product to S. Bower Inc.™, via freight prepaid, along with proof of purchase, and will be repaired or replaced, based on S. Bower Inc.™ sole discretion. Repair and/or replacement may be made with new or refurbished product components at S. Bower Inc.™ sole discretion. This limited warranty does not cover failures due to abuse, accidental damage or when repairs have been made or attempted by anyone other than S. Bower Inc.™ personnel. A defective product meeting the warranty conditions set forth herein will be replaced or repaired at no charge in either of two ways: The first, which will result in exchanges only, is to return the product to the retailer from whom it was purchased (provided that the store is a participating retailer). Returns should be made within the time period of the retailer's policy for exchanges. Proof of purchase may be required. Please check with the retailer for its specific return policy regarding time limits for returns or exchanges. The second option is to send the product (prepaid freight) to S. Bower Inc.™ corporate offices located at S. Bower Inc. 38-09 43rd Avenue 1st Floor Long Island City, NY 11101 for repair or replacement at S. Bower Inc.™'s option. Proof of purchase is required. Include name, return address, and issues that you are experiencing with S. Bower Inc.™ products. All other guarantees, express or implied, are hereby disclaimed.

**This warranty does not apply to products sold in countries sold out of the United States.**