

# 12" WHITE/RGB RING LIGHT KIT

W/ 360° BALLHEAD & 62in EXTENDABLE TRIPOD + PHONE HOLDER



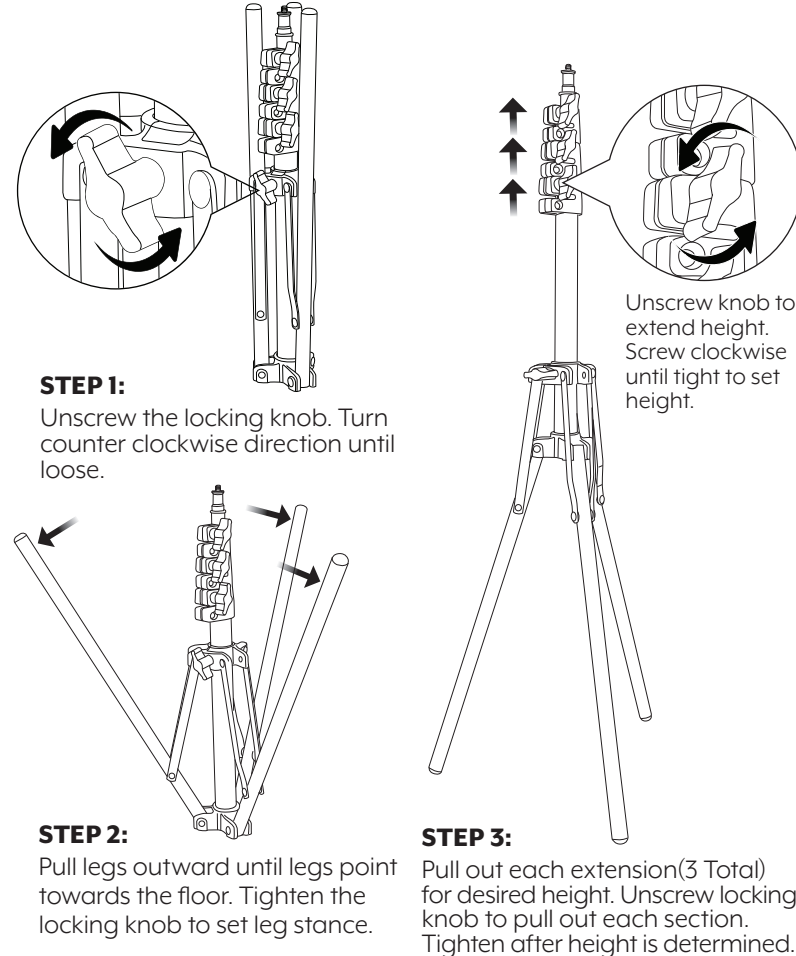
USER MANUAL

## PRODUCT PARTS INTRODUCTION



**WARNING:** Do not try to remove the fixed cable from the Ring Light. It is permanently attached and not removable. May cause damage if forcefully pulled.

## INSTALLATION (Tripod Setup)



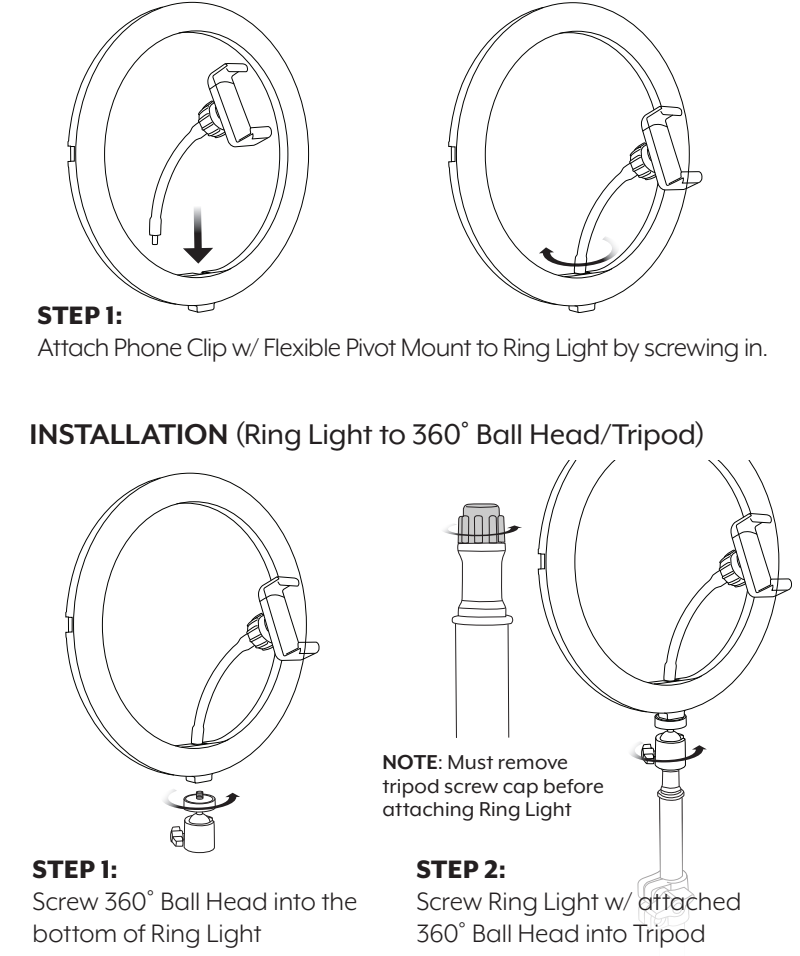
**STEP 1:** Unscrew the locking knob. Turn counter clockwise direction until loose.

**STEP 2:** Pull legs outward until legs point towards the floor. Tighten the locking knob to set leg stance.

**STEP 3:** Pull out each extension (3 Total) for desired height. Unscrew locking knob to pull out each section. Tighten after height is determined.

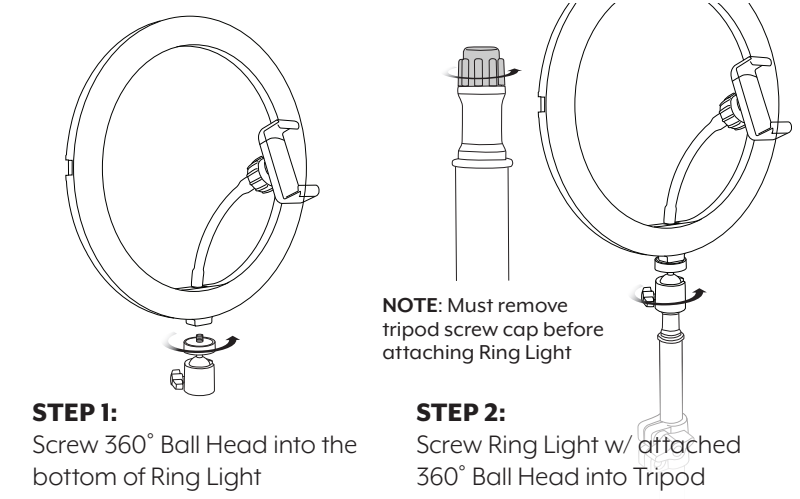
Unscrew knob to extend height. Screw clockwise until tight to set height.

## INSTALLATION (Phone Clip/Flexible Pivot Mount to Ring Light)



**STEP 1:** Attach Phone Clip w/ Flexible Pivot Mount to Ring Light by screwing in.

## INSTALLATION (Ring Light to 360° Ball Head/Tripod)

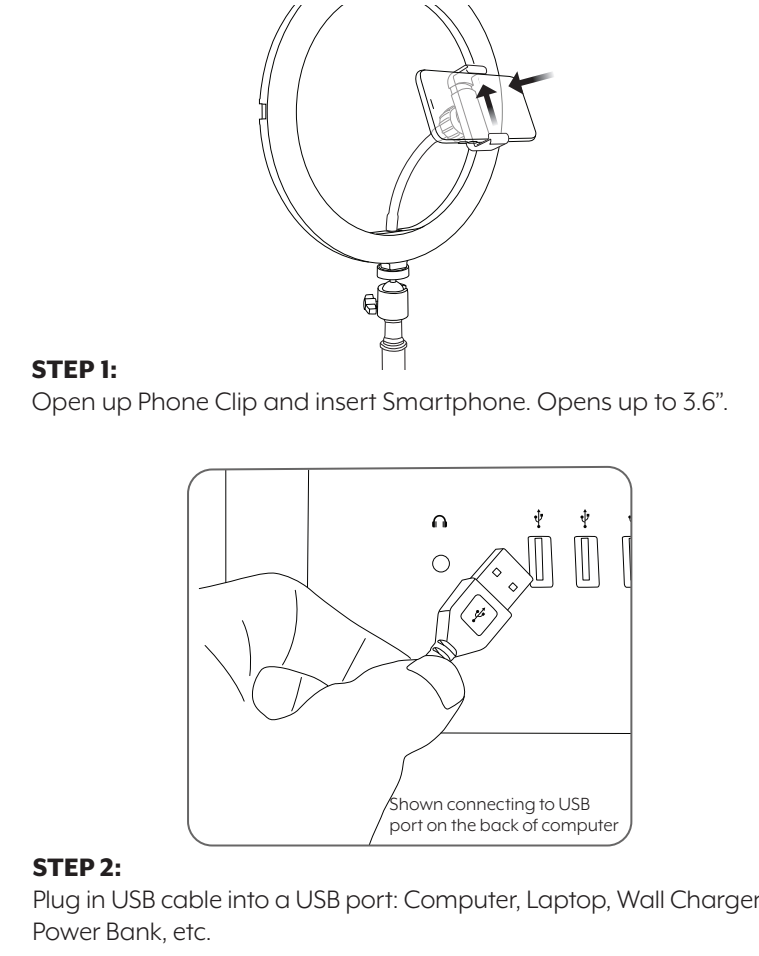


**STEP 1:** Screw 360° Ball Head into the bottom of Ring Light

**STEP 2:** Screw Ring Light w/ attached 360° Ball Head into Tripod

**NOTE:** Must remove tripod screw cap before attaching Ring Light

## INSTALLATION (Insert Smartphone/Connect to USB Port)



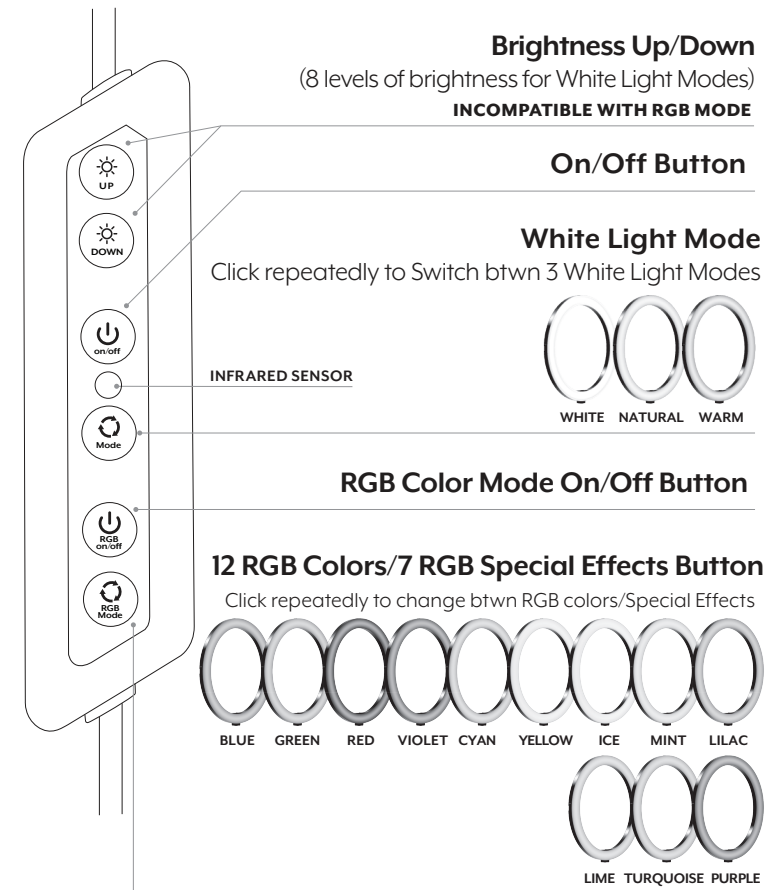
**STEP 1:** Open up Phone Clip and insert Smartphone. Opens up to 3.6".

**STEP 2:** Plug in USB cable into a USB port: Computer, Laptop, Wall Charger, Power Bank, etc.

Shown connecting to USB port on the back of computer

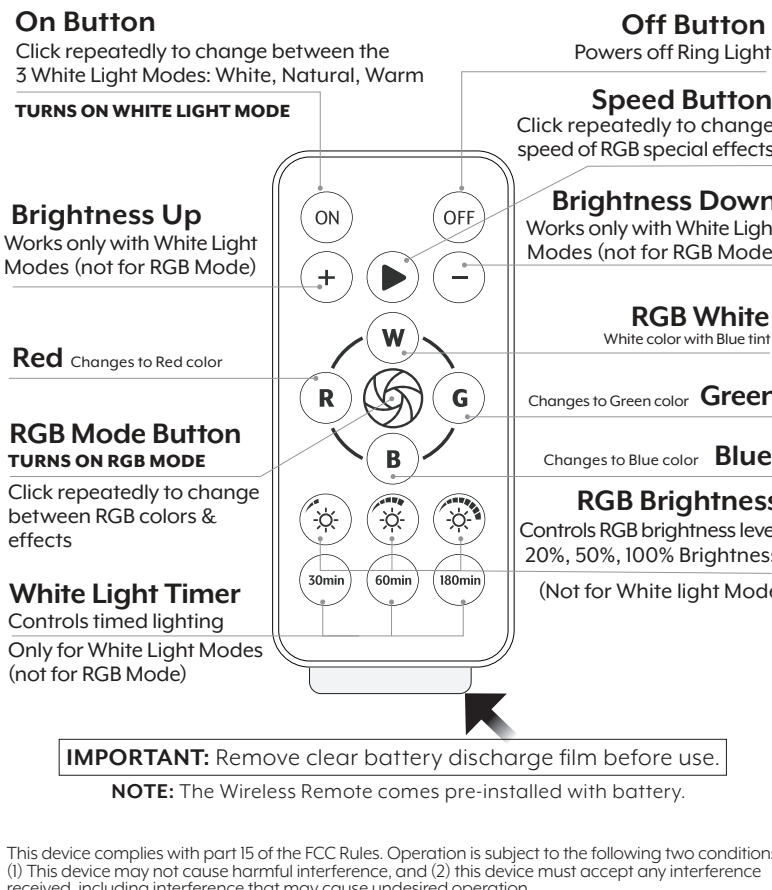
## HOW TO USE (In-line Remote Control)

**NOTE:** RGB Mode Brightness and speed change of RGB Special Effects can ONLY be achieved through the Wireless Remote



## HOW TO USE (Wireless Remote Control)

**NOTE:** RGB Mode Brightness and speed change of RGB Special Effects can ONLY be achieved through the Wireless Remote

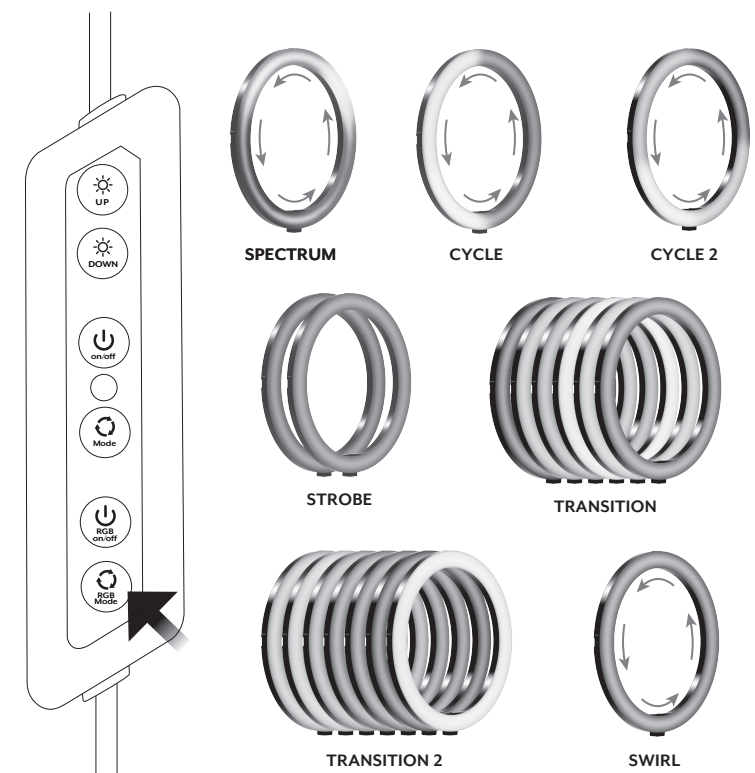


**IMPORTANT:** Remove clear battery discharge film before use.  
**NOTE:** The Wireless Remote comes pre-installed with battery.

This device complies with part 15 of the FCC Rules. Operation is subject to the following two conditions: (1) This device may not cause harmful interference, and (2) this device must accept any interference received, including interference that may cause undesired operation.

## 7 RGB SPECIAL EFFECT MODES

The ring light illuminates 12 different RGB colors and 7 RGB Special Effect lighting modes. Click on the **RGB Mode** button repeatedly to cycle through each RGB color and Special Effect.



## FEATURES:

- 12" RGB Ring Light: Choose from twelve (12) different RGB colors, three (3) White Light modes, seven (7) RGB special effect lighting modes, and adjustable brightness.
- Easy to use in-line remote to power on/off and switch to the lighting mode/effect mode you prefer. 12" RGB Ring light makes every photo and video more dynamic and fun.
- Collapsible tripod (16" closed position) stores conveniently, adjustable height extends up to 62".
- Includes Wireless Remote for your convenience.
- Compatible with most smartphones, phone clip opens up to 3.6".
- Great for vlogging, live videos, video chats, social media, live streaming, health and beauty videos, and more.
- USB powered: No battery required, works with most devices that have a USB port: Computer, Laptop, USB Wall Charger, Power Bank, etc.

## SPECIFICATION:

Power Supply:	USB-5V
Input Power:	13W
Color temperature:	3000 - 6000K
Luminous Flux:	330LM
CRI:	85
Bead Type:	0.2W/2835 5050 IC
Bead Qty:	96PCS (White Lamp), 40PCS(RGB Lamp)

Please read and follow these instructions.

**Disclaimer:** This manual should be kept for future reference and maintenance purposes only. Be sure to review this manual and become familiar with its features before using this product. Please make sure to never change the light bulb while plugged into an outlet or other power source. Do not open or change wiring in anyway. Keep this product away from children. Clean this product often with a soft, dry cloth. This product shall ONLY be used with rated voltage and frequency. Do not fry and alter power supply or adjust voltage. Avoid unplugging the power by pulling the power cord and do not touch the power cord with wet hands. Never attempt to insert any metal objects into the cooling holes of illuminators. Avoid moving the illuminator by pulling the power cable. Stop using this product if the unit is damaged, especially the power cord. Do not use in the rain, bath, or near water source. Please be aware that improper use or inappropriate repair can lead to fire or electrocution. Indoors use only. Please send back to Bower or contact customer service for issues regarding maintenance or repair. Make sure everything is secure before proceeding. Make sure the product is intact and that there are no missing parts. All photos and illustrations are for instruction purposes only.

## LIMITED One (1) Year Limited Warranty

**S. Bower Inc.™ One (1) Year Limited Warranty: This warranty gives you specific legal rights and you may have other rights which vary from state to state.**

The S. Bower Inc.™ Limited Warranty is a voluntary manufacturer's warranty provided to the consumer. This warranty provides rights separate to rights provided by consumer law, including but not limited to those relating to non-conforming goods. S. Bower Inc.™ One-Year Limited Warranty benefits are in addition to, and not instead of, rights provided by consumer law and it does not exclude, limit or suspend a buyer's rights arising from consumer law. Consumers have the right to choose whether to claim service under the S. Bower Inc.™ One-Year Limited Warranty or under their consumer law rights. The S. Bower Inc.™ One-Year Limited Warranty terms and conditions shall not apply to consumer law claims, contact your local consumer organization. Please note: All claims made under the S. Bower Inc.™ One-Year Limited Warranty will be governed by the terms set out in this warranty document. S. Bower Inc.™ warrants to the product owner that this product will be free against defects in materials and workmanship for a period of ONE (1) YEAR from the date of original retail purchase when used in accordance with S. Bower Inc.™'s user manual. Under this warranty, you will be able to send your claims and defective product to S. Bower Inc.™, via freight prepaid, along with proof of purchase, and will be repaired or replaced, based on S. Bower Inc.™ sole discretion. Repair and/or replacement may be made with new or refurbished product components at S. Bower Inc.™ sole discretion. This limited warranty does not cover failures due to abuse, accidental damage or when repairs have been made or attempted by anyone other than S. Bower Inc.™ personnel. A defective product meeting the warranty conditions set forth herein will be replaced or repaired at no charge in either of two ways: The first, which will result in exchanges only, is to return the product to the retailer from whom it was purchased (provided that the store is a participating retailer). Returns should be made within the time period of the retailer's policy for exchanges. Proof of purchase may be required. Please check with the retailer for its specific return policy regarding time limits for returns or exchanges. The second option is to send the product (prepaid freight) to S. Bower Inc.™ corporate offices located at S. Bower Inc. 46-24 28th Street 3rd Floor Long Island City, NY 11101 for repair or replacement at S. Bower Inc.™'s option. Proof of purchase is required. Include name, return address, and issues that you are experiencing with S. Bower Inc.™ products. All other guarantees, express or implied, are hereby disclaimed.

**This warranty does not cover products sold outside of the United States.**