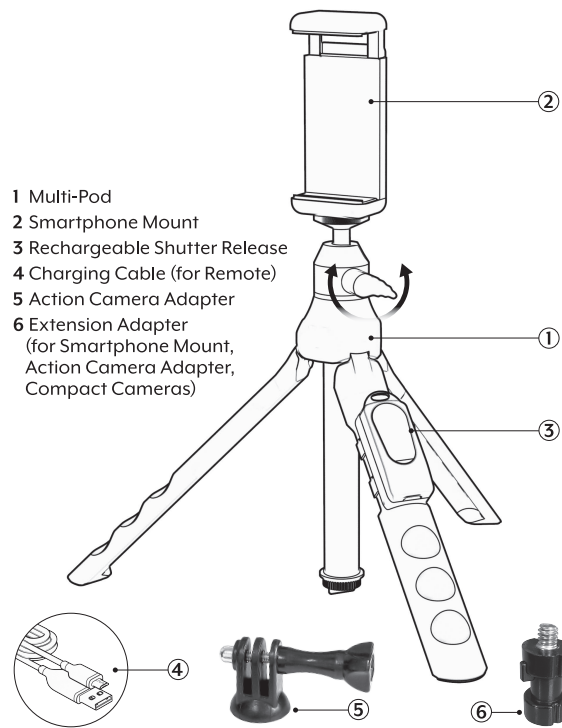




MULTI-POD

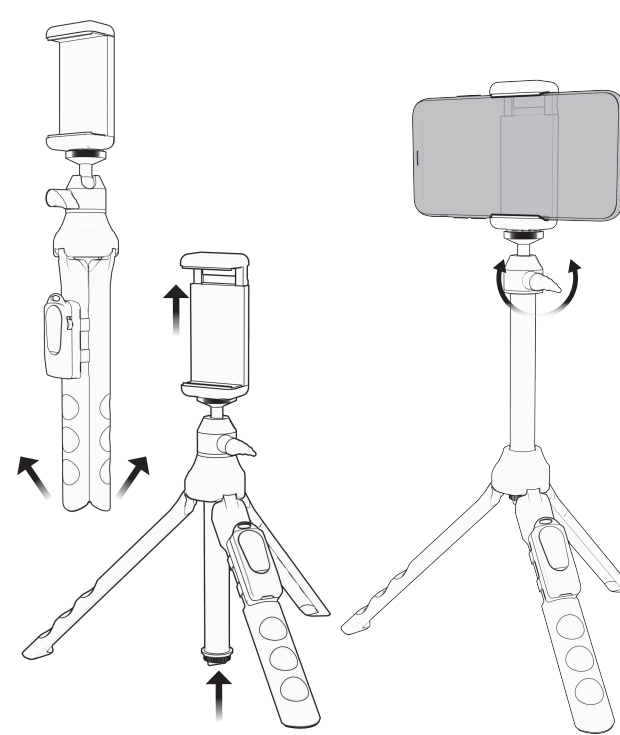
6-IN-1 TRIPOD

PRODUCT INTRODUCTION PARTS

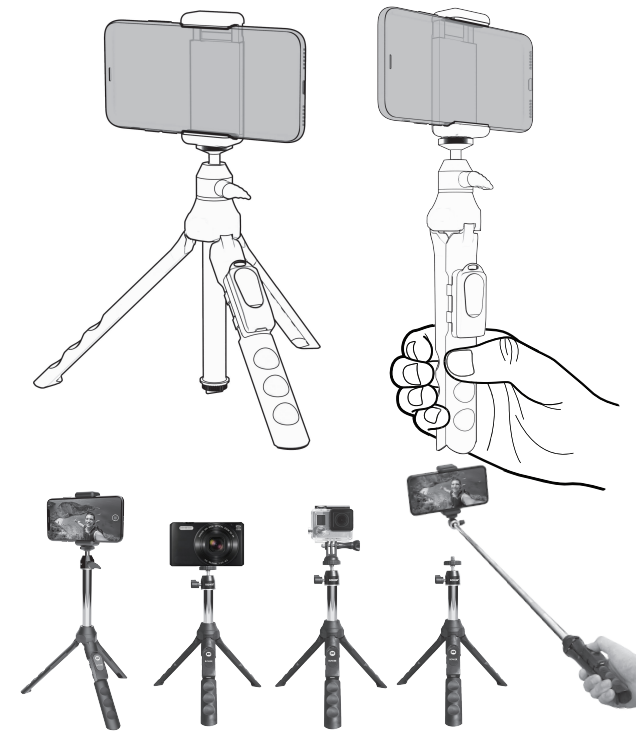


- 1 Multi-Pod
- 2 Smartphone Mount
- 3 Rechargeable Shutter Release
- 4 Charging Cable (for Remote)
- 5 Action Camera Adapter
- 6 Extension Adapter (for Smartphone Mount, Action Camera Adapter, Compact Cameras)

INSTALLATION



INSTALLATION



USING YOUR MULTI-POD WITH A SMARTPHONE

1. Attach the Smartphone Mount to the tripod turning it clockwise.
2. Tighten the holder until secure. Do not force or over tighten.
3. Put smartphone into holder. Smartphone should fit securely

USING YOUR MULTI-POD WITH AN ACTION CAMERA

1. Attach the action camera mount to the 360° ball head by turning it clockwise to tighten.
2. Attach your action camera to the action camera mount, tightening the screw until secure.
3. Do not force or over tighten.

USING YOUR MULTI-POD WITH A DIGITAL CAMERA

1. Attach your digital camera to the 360° ball head, and tighten by turning clockwise.
2. Do not force or over tighten digital camera to mount.
3. Do not use cameras over 1lb of weight.

USING YOUR MULTI-POD

1. Lift the top of the smartphone mount and insert your smartphone.
2. The included wireless shutter release is compatible with IOS and Android devices. Make sure, the wireless shutter remote is charged. To charge it, insert the included micro USB cable and connect it to a wall outlet or USB port on a computer.

CONNECTING SHUTTER REMOTE TO SMARTPHONE

1. Make sure remote is charged, slide the side switch/button downward to turn on remote
2. Blue light will turn on & stay solid for 2-3 second, then will blink (this is discover mode)
3. Go to Bluetooth menu on mobile device, make sure your device is discoverable
4. Bluetooth shutter name is labeled MO-09 Bluetooth
6. Press the option to start pairing (you may need to turn your device's discovery mode off & on to pair)
5. Once remote pairs with device, blue light will no longer be visible

USING YOUR MULTI-POD AS A TRIPOD

1. Connect your action camera, digital camera, or smartphone to the Multi-pod, following the directions described above.
2. Extend the three (3) legs of the tripod fully and place it on a flat level surface.
3. Extend height of the tripod by pulling out center column.
4. **IMPORTANT:** To have the multi-pod in a standing state (on all 3 legs), pull the center metal column outwards entirely until the bottom of the center column lifts up from the ground surface. If not pulled out entirely the tripod will not stand balanced on it's 3 legs.

FEATURES

This device can be used to take "selfie" style pictures with any smartphone, digital camera, or action camera. In order to get the best results, please read this manual before using your device.

SPECIFICATION

- Height adjustable from 7" to 36"

SPECIFICATION (Wireless shutter release)

- Range: 10 meters
- Frequency : 2.4 Ghz

This device complies with part 15 of the FCC Rules. Operation is subject to the following two conditions: (1) This device may not cause harmful interference, and (2) this device must accept any interference received, including interference that may cause undesired operation.

Section: 15.21

Caution: Changes or modifications of this product is not expressly approved by the party responsible for compliance could void the user's authority to operate the equipment.

Section: 15.105

NOTE: This equipment has been tested and found to comply with the limits for a Class B digital device, pursuant to Part 15 of the FCC Rules. These limits are designed to provide reasonable protection against harmful interference in a residential installation. This equipment generates, uses and can radiate radio frequency energy and, if not installed and used in accordance with the instructions, may cause harmful interference to radio communications. However, there is no guarantee that

interference will not occur in a particular installation. If the equipment does cause harmful interference to radio or television reception, which can be determined by turning the equipment off and on, the user is encouraged to try to correct the interference by one or more of the following measures:

- Reorient or relocate the receiver antenna.
- Increase the separation between the equipment and receiver.
- Connect the equipment into an outlet on a circuit different from that to which the receiver is connected.
- Consult the dealer or an experienced radio/TV technician for help.

FCC ID# ZAZHI-WA-MPD56

⚠WARNING

Do not ingest the battery, Chemical Burn Hazard

(The remote control supplied with) This product contains a coin/button cell battery. If the coin/button cell battery is swallowed, it can cause severe internal burns in just 2 hours and can lead to death.

Keep new and used batteries away from children.

If the battery compartment does not close securely, stop using the product and keep it away from children. If you think batteries might have been swallowed or placed inside any part of body, seek immediate medical attention.

LIMITED One (1) Year Limited Warranty

S. Bower Inc.™ One (1) Year Limited Warranty: This warranty gives you specific legal rights and you may have other rights which vary from state to state.

The S. Bower Inc.™ Limited Warranty is a voluntary manufacturer's warranty provided to the consumer. This warranty provides rights separate to rights provided by consumer law, including but not limited to those relating to non-conforming goods. S. Bower Inc.™ One-Year Limited Warranty benefits are in addition to, and not instead of, rights provided by consumer law and it does not exclude, limit or suspend a buyer's rights arising from consumer law. Consumers have the right to choose whether to claim service under the S. Bower Inc.™ One-Year Limited Warranty or under their consumer law rights. The S. Bower Inc.™ One-Year Limited Warranty terms and conditions shall not apply to consumer law claims, contact your local consumer organization. Please note: All claims made under the S. Bower Inc.™ One-Year Limited Warranty will be governed by the terms set out in this warranty document. S. Bower Inc.™ warrants to the product owner that this product will be free against defects in materials and workmanship for a period of ONE (1) YEAR from the date of original retail purchase when used in accordance with S. Bower Inc.™'s user manual. Under this warranty, you will be able to send your claims and defective product to S. Bower Inc.™, via freight prepaid, along with proof of purchase, and will be repaired or replaced, based on S. Bower Inc.™ sole discretion. Repair and/or replacement may be made with new or refurbished product components at S. Bower Inc.™ sole discretion. This limited warranty does not cover failures due to abuse, accidental damage or when repairs have been made or attempted by anyone other than S. Bower Inc.™ personnel. A defective product meeting the warranty conditions set forth herein will be replaced or repaired at no charge in either of two ways: The first, which will result in exchanges only, is to return the product to the retailer from whom it was purchased (provided that the store is a participating retailer). Returns should be made within the time period of the retailer's policy for exchanges. Proof of purchase may be required. Please check with the retailer for its specific return policy regarding time limits for returns or exchanges. The second option is to send the product (prepaid freight) to S. Bower Inc.™ corporate offices located at S. Bower Inc. 38-09 43rd Avenue 1st Floor Long Island City, NY 11101 for repair or replacement at S. Bower Inc.™'s option. Proof of purchase is required. Include name, return address, and issues that you are experiencing with S. Bower Inc.™ products. All other guarantees, express or implied, are hereby disclaimed.

This warranty does not apply to products sold in countries sold out of the United States.