

# 10" TRACKER RING LIGHT

WITH FACE/OBJECT MOTION DETECTION, 360° ROTATION + WIRELESS REMOTE

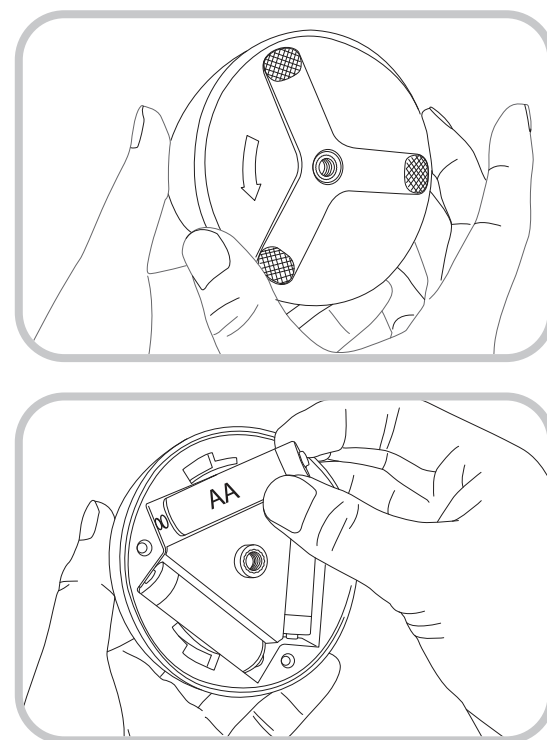


USER MANUAL

## PRODUCT PARTS INTRODUCTION

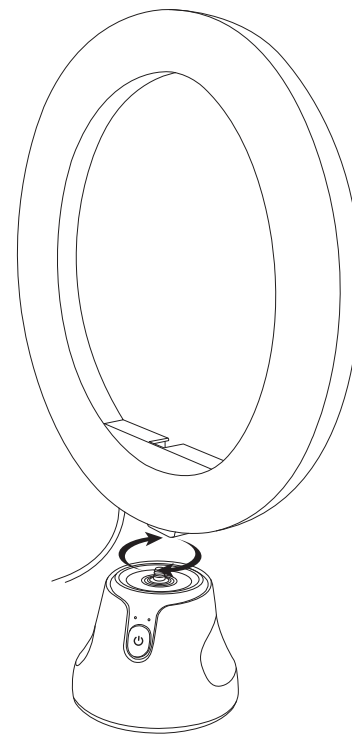


## HOW TO SET UP



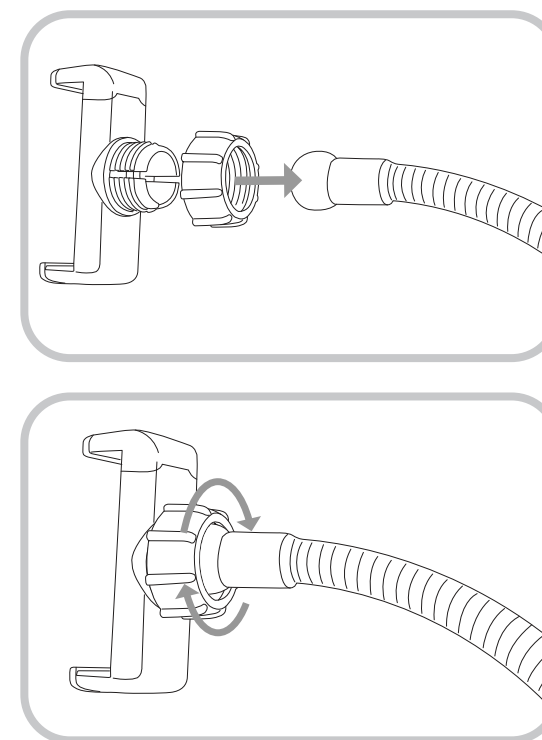
**Step 1:** Open battery compartment lid from bottom of Rotating Base and insert AA (3 x) Batteries (not included).

## HOW TO SET UP



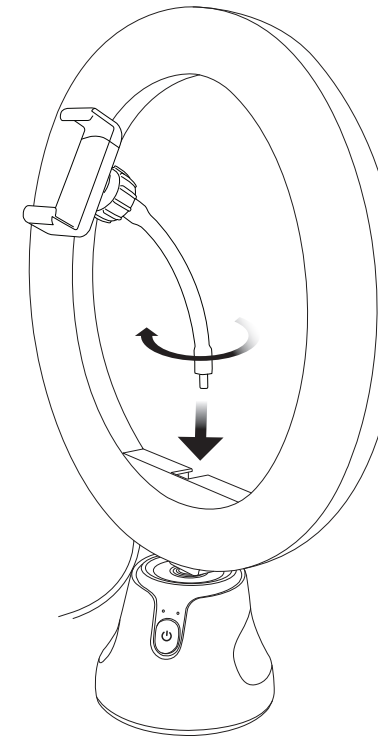
**Step 2:** Screw in Ring Light into Rotating Base. Screw in clockwise direction.

## HOW TO SET UP



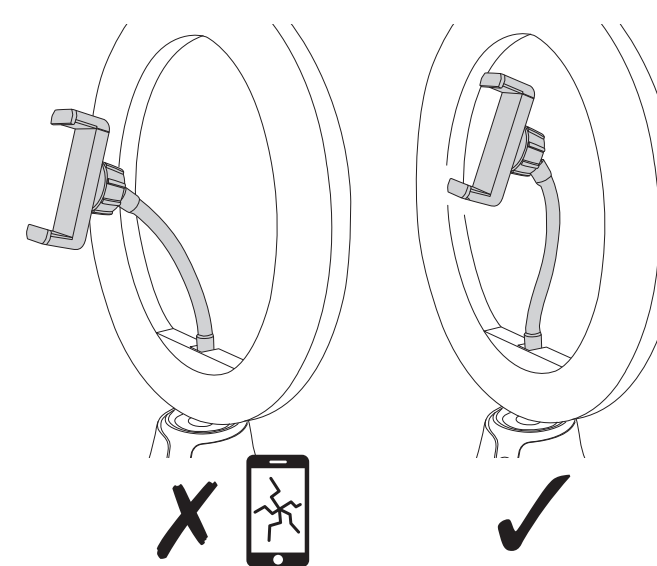
**Step 3:** Snap in Phone Clip into Flexible Pivot Mount, make sure locking ring is positioned in-between. Screw in until tight. Do not over tighten.

## HOW TO SET UP



**Step 4:** Screw in Phone Clip with Flexible Pivot Mount into Ring Light. Screw in clockwise direction until secure. Do not over tighten.

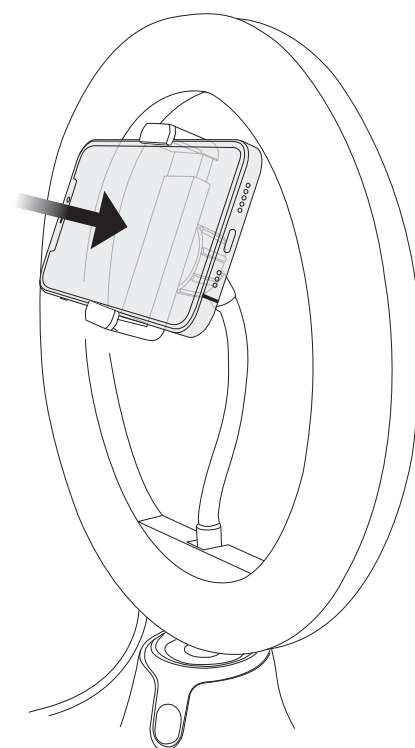
## HOW TO SET UP



**IMPORTANT:** The Flexible Pivot Mount is bendable and MUST be positioned as shown in diagram above with the check mark. Bend mount as shown to ensure unit doesn't tip over when phone is inserted. Position far back as possible.

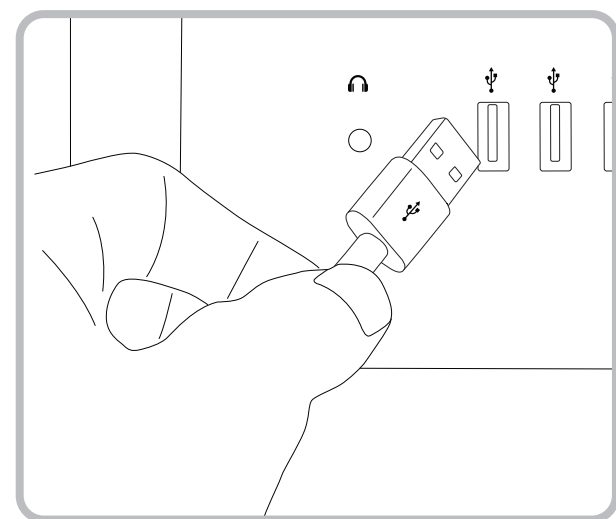
**Step 5:** Position Flexible Mount as shown above

## HOW TO SET UP



**Step 6:** Open up Phone Clip and insert smartphone. Opens up to 3.6".

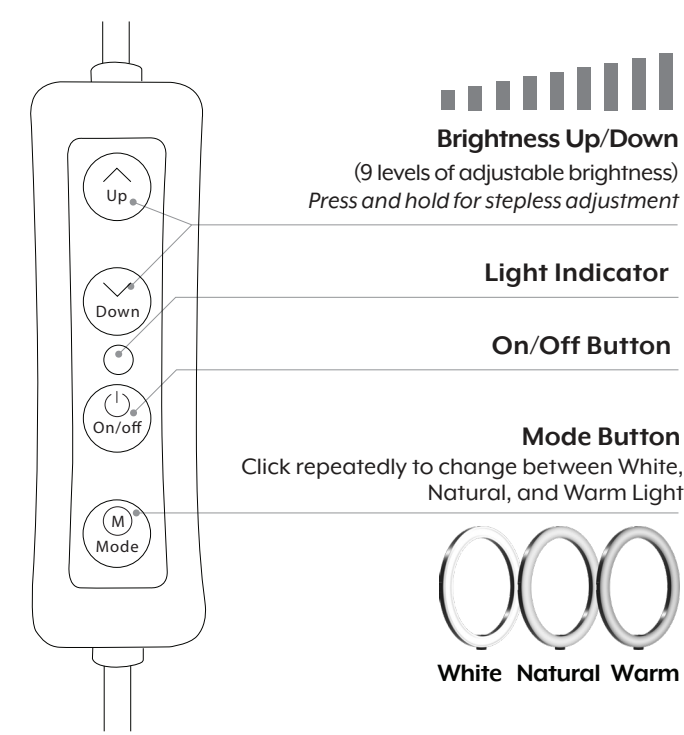
## HOW TO SET UP



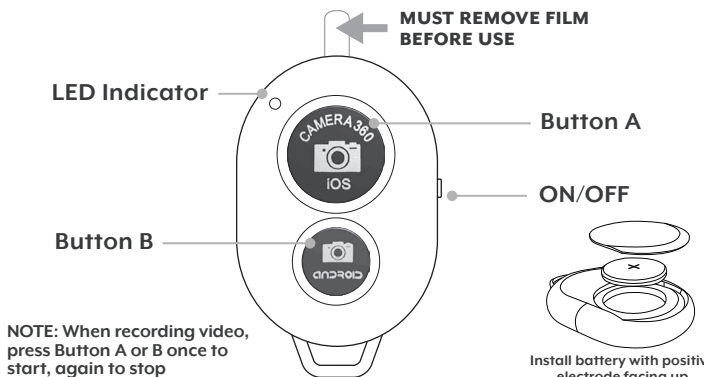
**Step 7:** Connect USB cable on Ring Light to a USB port (Computer/ Laptop, Wall Charger, Portable Power Bank, etc.) to begin using.

## HOW TO USE (Wired Remote)

### Using the Remote



## HOW TO USE (Wireless Remote Shutter)



Easy to set up, Easy to use

- 1 STEP** Pairing
- 2 STEP** Turn on camera
- 3 STEP** Shooting

- Turn on the power button (located at the side of remote), the indicator LED will flash and "AB Shutter3" will enter into pairing mode.
- Turn on your smartphone's Bluetooth settings and search for "AB Shutter3" name.
- Select the device "AB Shutter3" from the list and pairing will be finished automatically in a few seconds.

This device complies with part 15 of the FCC Rules. Operation is subject to the following two conditions: (1) This device may not cause harmful interference, and (2) this device must accept any interference received, including interference that may cause undesired operation.

## HOW TO USE (Fun Chase App)

### Using Fun Chase App

- 1 STEP** Download APP
- 2 STEP** Turn on Bluetooth
- 3 STEP** Open APP

- Download App free from App Store or Google Play Store, search for "Fun Chase", or scan QR code below.
- Press and hold the Power Button on the Rotating Base until the Red light flashes.
- Make sure Bluetooth on your device is turned on.
- Open Fun Chase App, and begin using. App must be used for tracking to occur.

**NOTE:** On iOS version of Fun Chase App: if there is no response when clicking on any of the menu buttons, please try again.



iOS

Android

## Facial Tracking Mode

- Photograph Follow: Pose and wait for 3 seconds; it can automatically start taking photos.
- Video Follow: pose and wait for 3 seconds, it can automatically start recording.
- Works with your phones front facing camera and rear camera.

### FEATURES:

- Face Tracking motion detection to follow your movement.
- Works with Photo/Video.
- Choose from 3 light modes and 9 levels of brightness within each mode.
- Easy control wired remote to power on/off or switch to the lighting mode you prefer. Makes every photo and video look more professional.
- Compatible with most smartphones
- Includes Fun Chase Tracking App
- USB Powered Ring Light, works with most devices that have a USB port: computer, power bank, USB wall charger, etc.
- Wireless Remote Shutter- allows you to control your phone and snap hands free photos. Android and iOS compatible.

### SPECIFICATION:

Voltage:	DC 5V
Power:	10W
LED Beads:	100 pcs total (50 White + 50 Yellow)
Lumens:	700LM
CRI:	>70
Color Temperature:	3000K - 6500K
Cable Length:	2M
Light Diameter:	260mm

**Disclaimer:** This manual should be kept for future reference and maintenance purposes only. Be sure to review this manual and become familiar with its features before using this product. Please make sure to never change the light bulb while plugged into an outlet or other power source. Do not open or change wiring in anyway. Keep this product away from children. Clean this product often with a soft, dry cloth. This product shall ONLY be used with rated voltage and frequency. Do not try and alter power supply or adjust voltage. Avoid unplugging the power by pulling the power cord and do not touch the power cord with wet hands. Never attempt to insert any metal objects into the cooling holes of illuminators. Avoid moving the illuminator by pulling the power cable. Stop using this product if the unit is damaged, especially the power cord. Do not use in the rain, bath, or near water source. Please be aware that improper use or inappropriate repair can lead to fire or electrocution. Indoors use only. Please send back to Bower or contact customer service for issues regarding maintenance or repair. Make sure everything is secure before proceeding. Make sure the product is intact and that there are no missing parts. All photos and illustrations are for instruction purposes only.

**LIMITED One (1) Year Limited Warranty**  
S. Bower Inc.™ One (1) Year Limited Warranty: This warranty gives you specific legal rights and you may have other rights which vary from state to state.

The S. Bower Inc.™ Limited Warranty is a voluntary manufacturer's warranty provided to the consumer. This warranty provides rights separate to rights provided by consumer law, including but not limited to those relating to non-conforming goods. S. Bower Inc.™ One-Year Limited Warranty benefits are in addition to, and not instead of, rights provided by consumer law and it does not exclude, limit or suspend a buyer's rights arising from consumer law. Consumers have the right to choose whether to claim service under the S. Bower Inc.™ One-Year Limited Warranty or under their consumer law rights. The S. Bower Inc.™ One-Year Limited Warranty terms and conditions shall not apply to consumer law claims, contact your local consumer organization. Please note: All claims made under the S. Bower Inc.™ One-Year Limited Warranty will be governed by the terms set out in this warranty document. S. Bower Inc.™ warrants to the product owner that this product will be free against defects in materials and workmanship for a period of ONE (1) YEAR from the date of original retail purchase when used in accordance with S. Bower Inc.™'s user manual. Under this warranty, you will be able to send your claims and defective product to S. Bower Inc.™, via freight prepaid, along with proof of purchase, and will be repaired or replaced, based on S. Bower Inc.™'s sole discretion. Repair and/or replacement may be made with new or refurbished product components at S. Bower Inc.™'s sole discretion. This limited warranty does not cover failures due to abuse, accidental damage or when repairs have been made or attempted by anyone other than S. Bower Inc.™ personnel. A defective product meeting the warranty conditions set forth herein will be replaced or repaired at no charge in either of two ways: The first, which will result in exchanges only, is to return the product to the retailer from whom it was purchased (provided that the store is a participating retailer). Returns should be made within the time period of the retailer's policy for exchanges. Proof of purchase may be required. Please check with the retailer for its specific return policy regarding time limits for returns or exchanges. The second option is to send the product (prepaid freight) to S. Bower Inc.™ corporate offices located at S. Bower Inc. 38-09 43rd Avenue 1st Floor Long Island City, NY 11101 for repair or replacement at S. Bower Inc.™'s option. Proof of purchase is required. Include name, return address, and issues that you are experiencing with S. Bower Inc.™ products. All other guarantees, express or implied, are hereby disclaimed.

This warranty does not apply to products sold in countries sold out of the United States.