


DC Water Pump

300Dc | 500Dc | 1000Dc | 1500Dc | 2000Dc | 3000Dc



 Silent Operation

 Safe Voltage

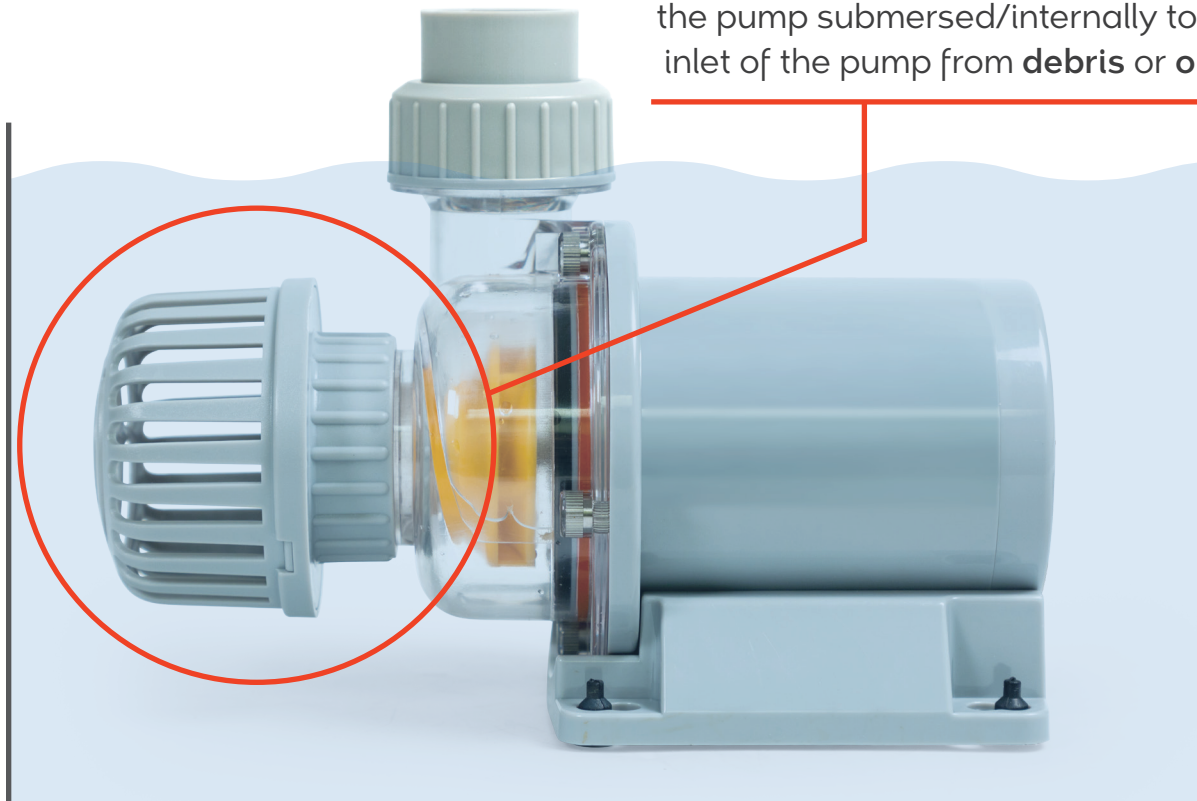
 Digital Control

 Safety Auto Shut Off

DC Water Pump instructions for use

Please note that all SR Aquaristik water pumps can be used **internally** or **externally** depending on application.

We recommend to use the **cage** when using the pump submersed/internally to protect the inlet of the pump from **debris** or **obstruction**.



The silicone O-rings for the union connection are located between the two pieces of Velcro for mounting the control panel.



Assembly Guide

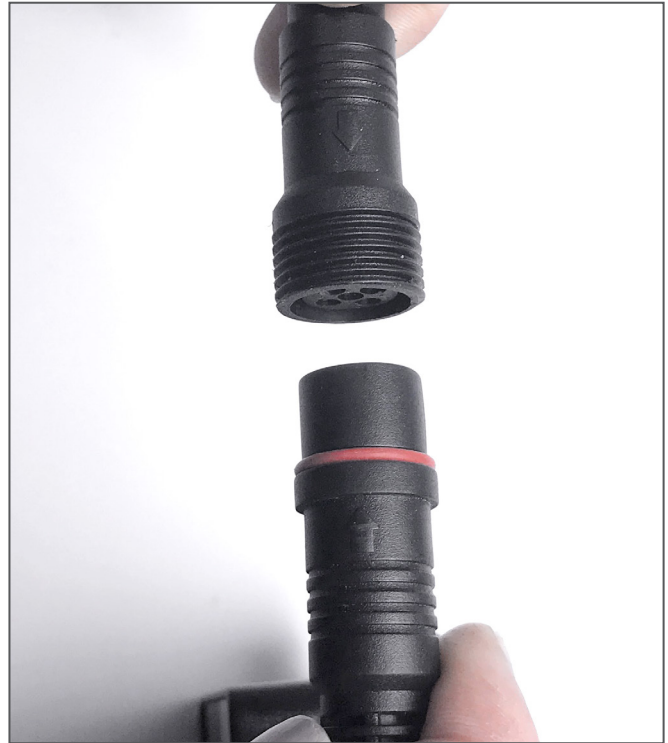
STEP 1

Connect the power supply to the control panel



STEP 2

Connect the pump to the control panel, make sure and line up the indent on the connector



STEP 3

Mount the control panel in the desired location using the included screws or Velcro.

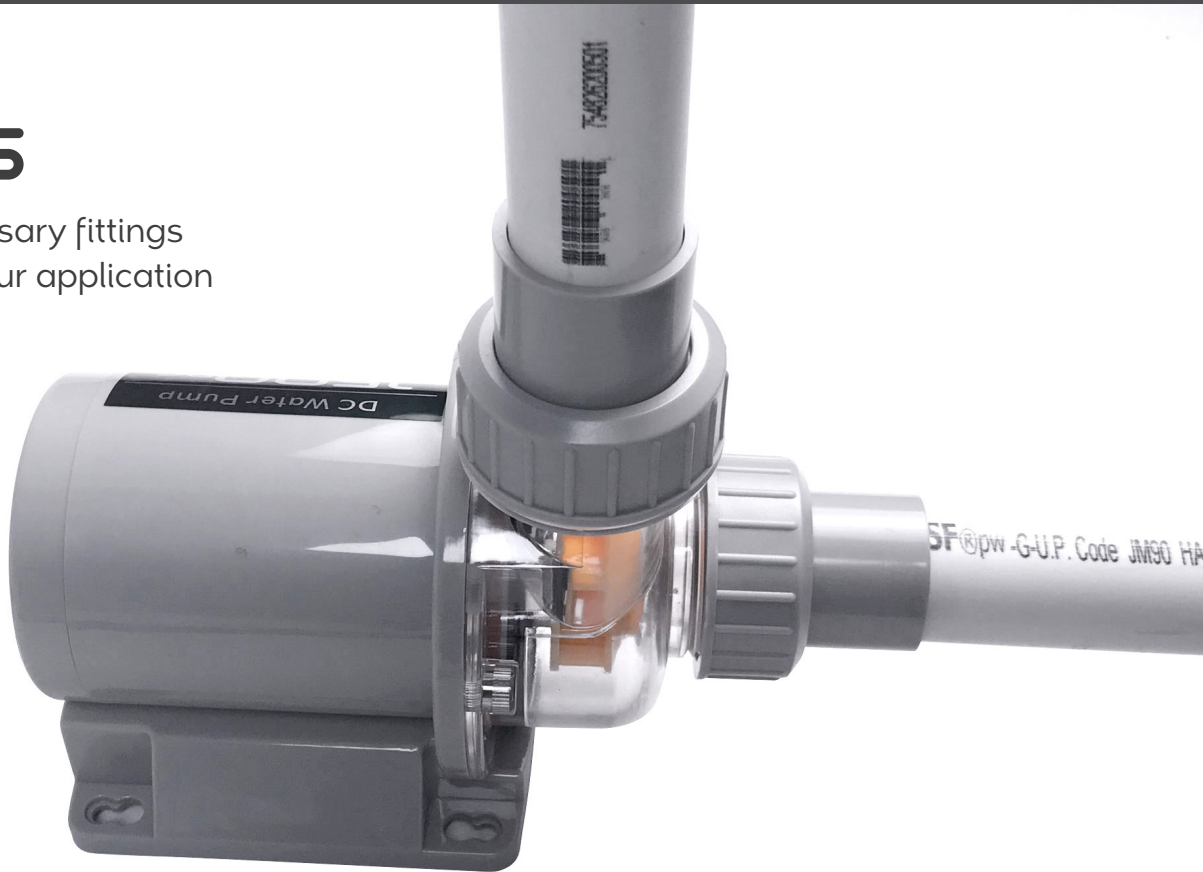


Please keep the control panel away from areas where it will get wet or splashed



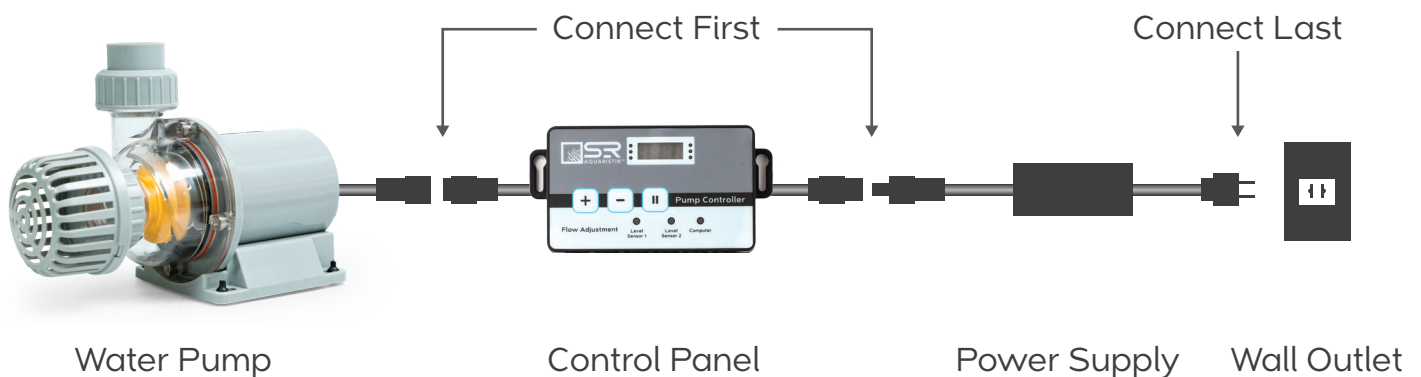
STEP 5

Attach the necessary fittings depending on your application



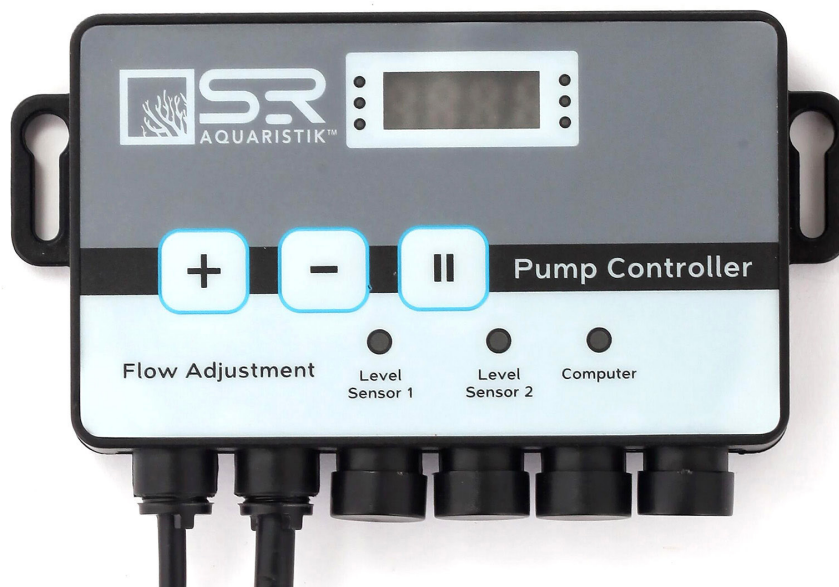
STEP 6

Place the pump into the water and then plug in the control panel, never plug the power supply into the control panel last, always plug into the control panel first and then plug in the power supply.



DO NOT plug in the power supply to the wall outlet first! Connect the control panel and the power supply first before plugging in to the wall outlet.

Advanced Control Panel Settings



Setting the Time

Press the plus and minus button for one second, use the pause button to switch from hours to minutes. Use the plus and minus button to adjust time.

Control Panel Codes

Press the minus button for three seconds, this will give you the control panel/ pump model number.

Press the pause button for five seconds to restore factory default settings.

E.0 Pump is overheating, something may be jammed in the impeller, or the impeller needs to be cleaned.

E.1 Control panel failure, the control panel will need to be replaced.

E.2 Pump failure, the pump will need to be cleaned, pump intake may be blocked. The pump is getting an unstable voltage.

E.3 Pump is in run dry mode, if the pump is not getting enough water it will automatically shut off until enough water is present. The pump will automatically restart and clear the error code.

L.0 Pump is overheating, this can be because by restricted flow or excessive head height.

L.1 Sensor fault

Optional Equipment

Float Sensors

The optional float sensors can be plugged directly into the advanced Control Panel and used for shutting on or off the pump depending on application. Float sensors are often used in the collection cup of protein skimmers.



What's inside the box?

DC Water Pump 300 & 500 DC



Comes complete with the following:

- 1 x Control Panel
- 1 x Power Supply
- 1 x Intake Strainer
- 2 x Union Fitting
- 2 x 1/2" PVC Slip Fittings
- 1 x 1/2" Barbed Hose Fitting
- 1 x 3/4" Barbed Hose Fitting
- 4 x Rubber Bumpers
- 4 x Rubber Dampers
- Velcro for mounting Control Panel
- Screws for mounting Control Panel

DC Water Pump 1000 DC



Comes complete with the following:

- 1 x Control Panel
- 1 x Power Supply
- 1 x Intake Strainer
- 2 x Union Fitting
- 2 x 1" PVC Slip Fittings
- 1 x 3/4" Barbed Hose Fitting
- 1 x 1" Barbed Hose Fitting
- 4 x Rubber Bumpers
- 4 x Rubber Dampers
- Velcro for mounting Control Panel
- Screws for mounting Control Panel

DC Water Pump 1500, 2000, 3000 DC



Comes complete with the following:

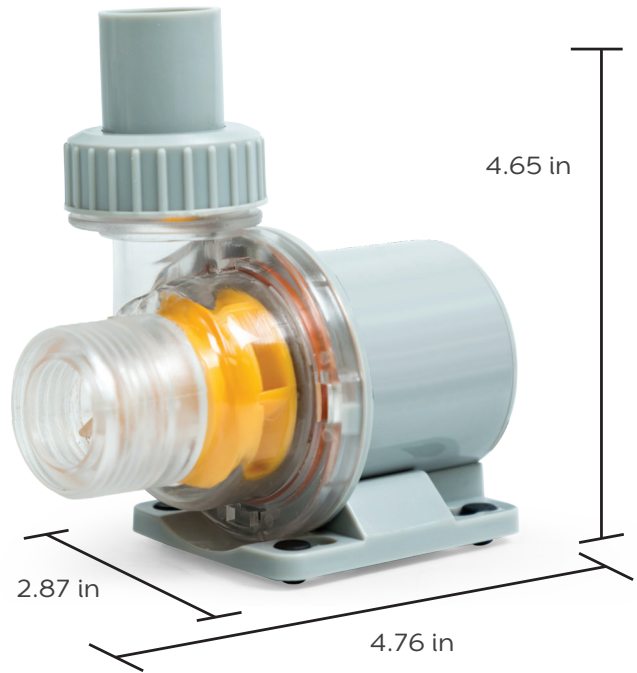
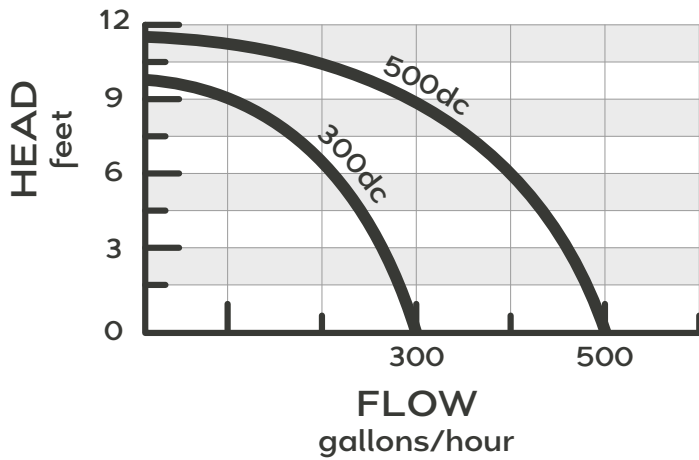
- 1 x Advanced Control Panel
- 1 x Power Supply
- 1 x Intake Strainer
- 2 x Union Fitting
- 2 x 1" PVC Slip Fittings
- 1 x 3/4" Barbed Hose Fitting
- 1 x 1" Barbed Hose Fitting
- 4 x Rubber Bumpers
- 4 x Rubber Dampers
- Velcro for mounting Control Panel
- Screws for mounting Control Panel

Water Pump Specifications

DC Water Pump

300DC & 500DC

PUMP COMPARISON CHART



PUMP SPECIFICATIONS

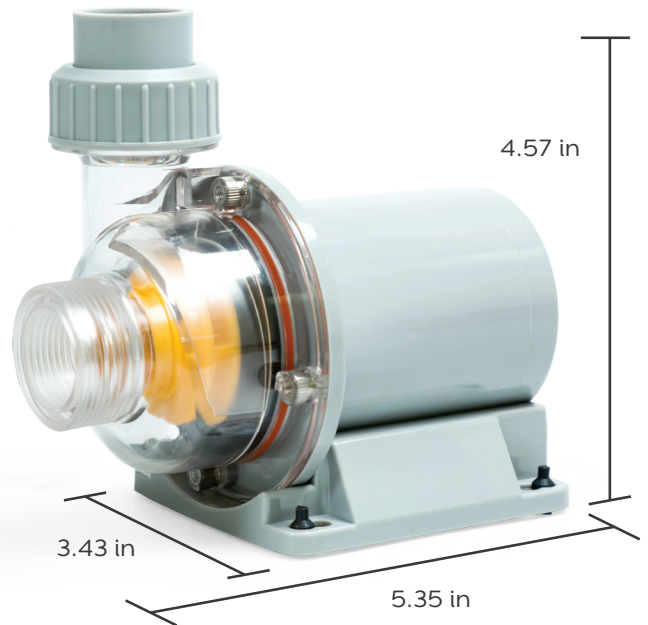
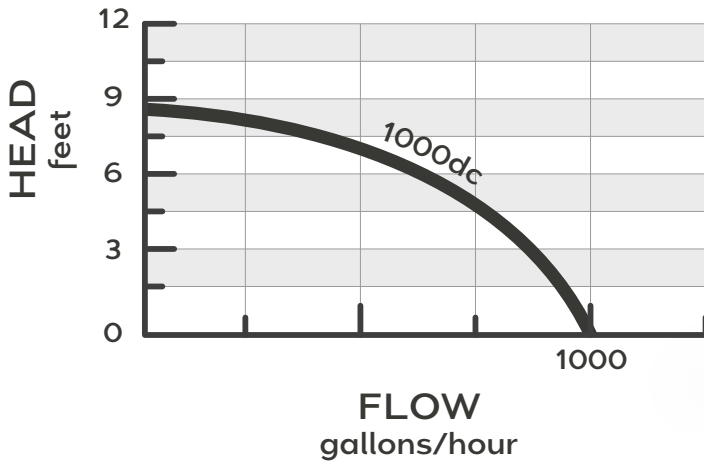
Pump Model:	300DC	500DC
Power Voltage:	24v	24v
Amperage:	1 A	1.5 A
Max. Wattage:	20w	25w
Max. Height:	9.84 ft	11.48 ft
Max. Flow:	300 gal/h	500 gal/h

Water Pump Specifications

DC Water Pump

1000DC

PUMP COMPARISON CHART



PUMP SPECIFICATIONS

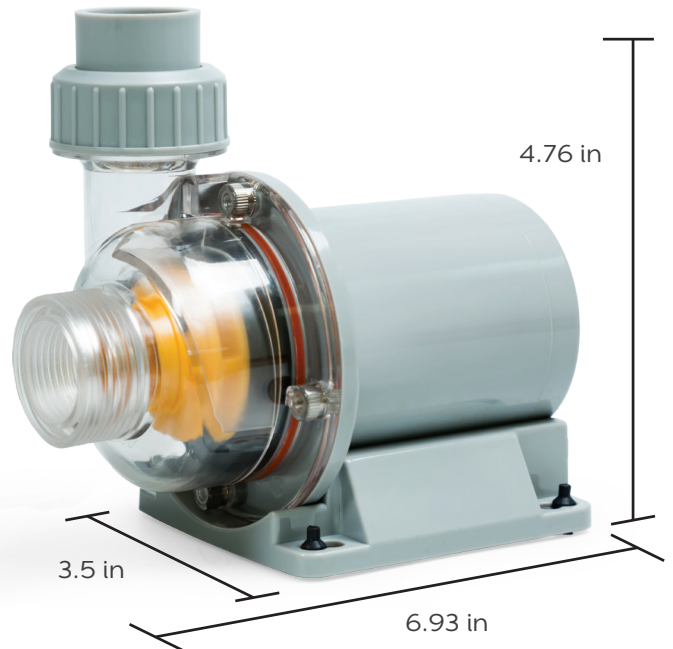
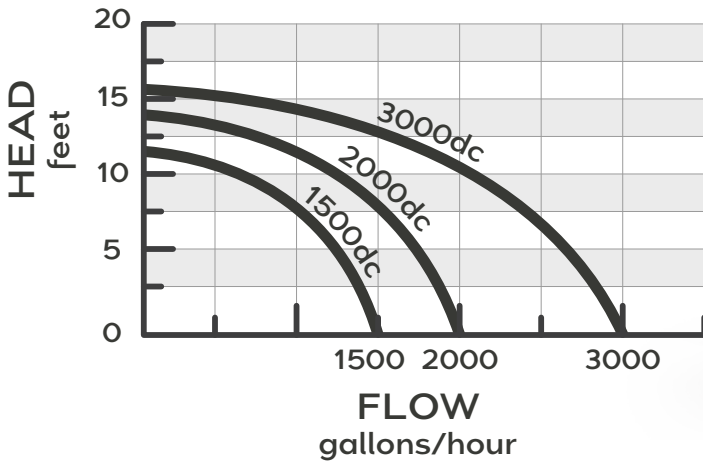
Pump Model:	1000DC
Power Voltage:	24v
Amperage:	2.5 A
Max. Wattage:	25w
Max. Height:	8.86 ft
Max. Flow:	1000 gal/h

Water Pump Specifications

DC Water Pump

1500DC, 2000DC & 3000DC

PUMP COMPARISON CHART



PUMP SPECIFICATIONS

Pump Model:	1500DC	2000DC	3000DC
Power Voltage:	24v	24v	24v
Amperage:	4 A	5 A	6 A
Max. Wattage:	40w	70w	85w
Max. Height:	11.5 ft	14.1 ft	15.8 ft
Max. Flow:	1,500 gal/h	2,000 gal/h	3,000 gal/h