

**GENERAL PUMP** *A member of the Interpump Group*

# WM Series

## Reverse Osmosis Pump - Solid Shaft

### FEATURES

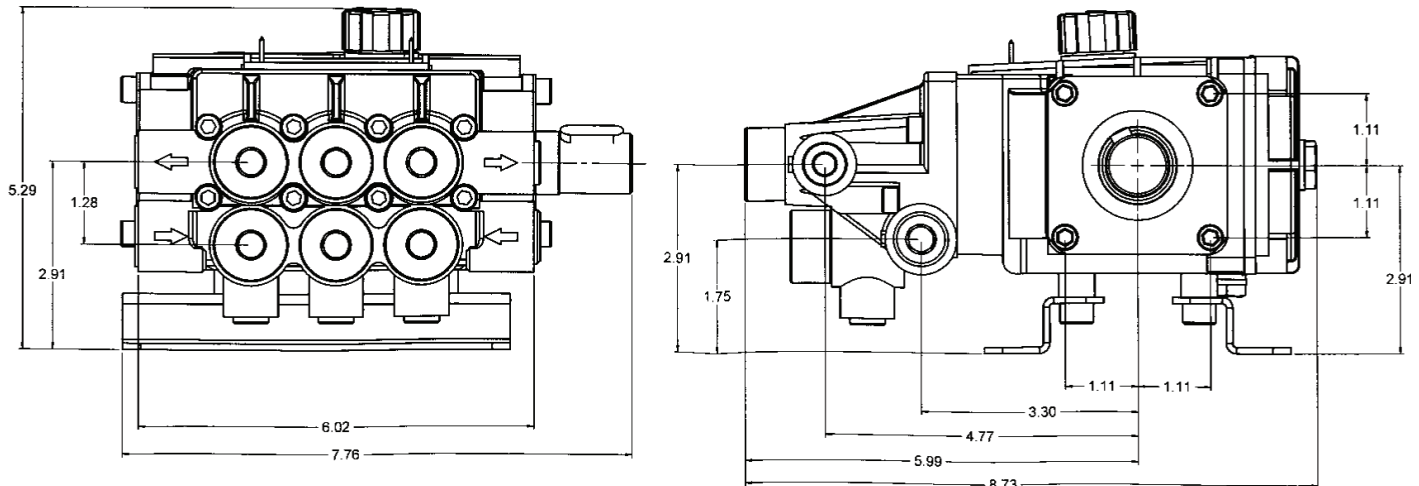
- 316 Stainless Steel Wet-End
- 300 Series Stainless Steel Fasteners
- Parallel Inlet and Outlet Valve Design for Efficiency and Easy Maintenance
- Corrosion Resistant Valve and Packing Design
- Innovative Wear Resistant High and Low Pressure Seals
- Dual Inlet and Outlet Porting for flexible plumbing options
- Anodized Crankcase for Corrosion Resistance
- Double ball bearing design for ultimate crankshaft support
- Left-handed crankshaft orientation available (add "L" to end of part number)



### SPECIFICATIONS

Pump Model	WM2515S	WM4215S
Maximum Volume	2.5 GPM	4.2 GPM
Maximum Discharge Pressure	1500 PSI	
Maximum Pump Speed	1750 RPM	
Rated Inlet Pressure	-50 to -5 PSI	
Plunger Bore (in / mm)	.709 / 18	
Plunger Stroke (in / mm)	.303 / 7.7	.492 / 12.5
Crankcase Oil Capacity	12.0 oz	
Maximum Fluid Temperature	140°F	
Inlet Port Thread	1/2" NPT-F	
Discharge Port Thread	3/8" NPT-F	
Shaft Diameter	.945 / 24	
Weight	13.5 lbs	
Dimensions	8.7" x 7.8" x 5.3"	

### DIMENSIONAL DRAWING



General Pump  
is a member of  
the Interpump Group

Ref 300194 Rev. D  
02-15



# WM Series

## Solid Shaft

### EXPLODED VIEW

