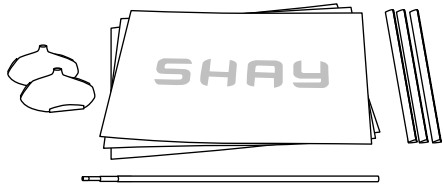
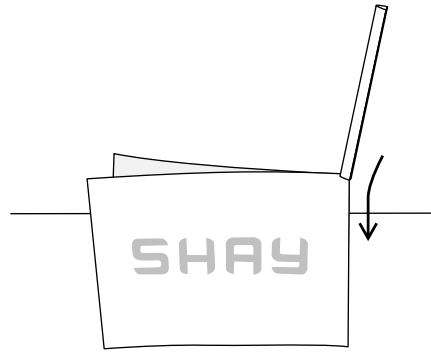


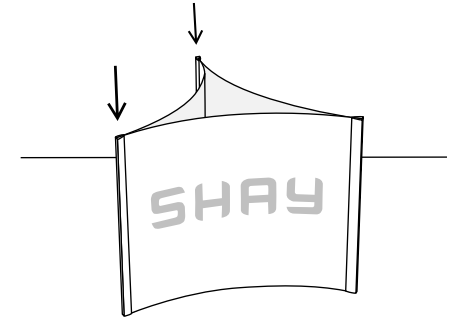
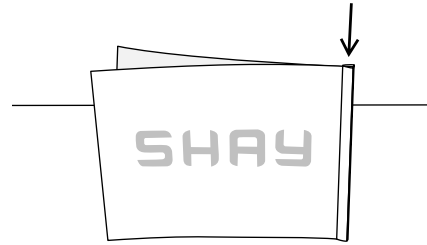
The best way to assemble a sign



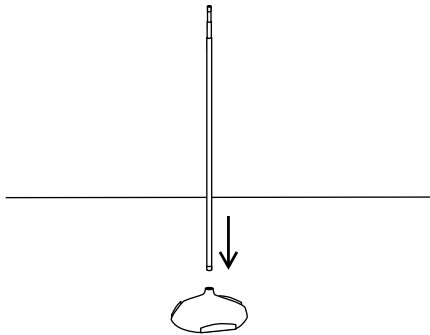
Print 3 signs on **card stock**



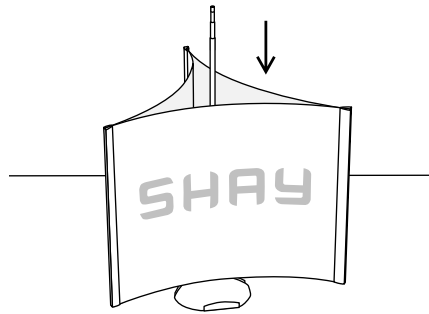
Stand **2 signs** on a table and slide on binding bar



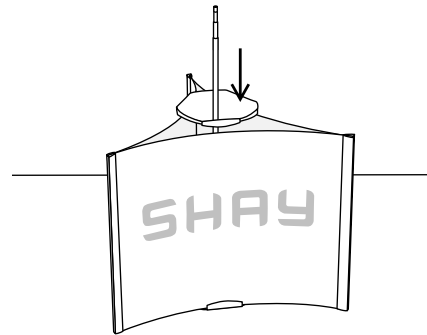
Add **3rd** sign to make a triangle



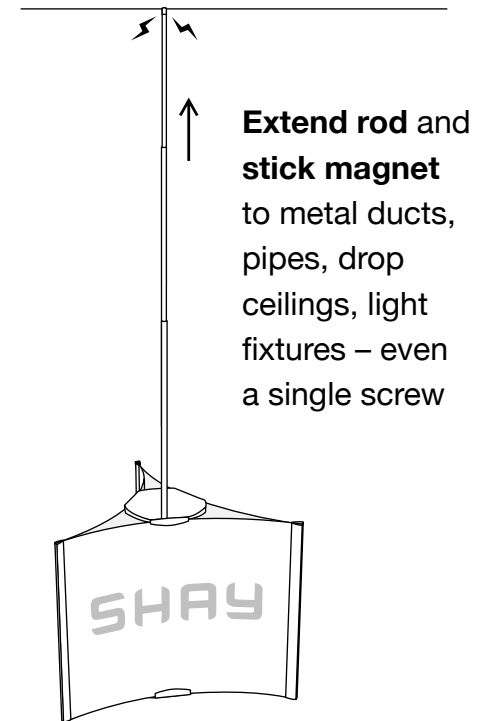
Stick rod into **bottom** – hard



Fit the signs into the slots



Slide on **top**



Extend rod and stick magnet to metal ducts, pipes, drop ceilings, light fixtures – even a single screw

SHAY

shayworks.com/signs