



## Wardrobe Assembly Manual

*Spring 2018*

Your boxes should contain the following:

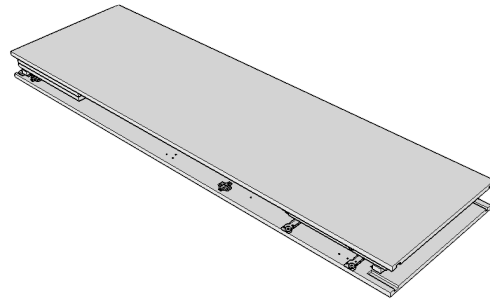
- 1 x main frame
- 3 x back panels (8mm thick)
- 1 x top panel (8mm thick)
- 1 x front plinth (10cm deep)
- 1 x rear batten (5cm deep / plain chipboard)
- 1 x top bar (6.5cm deep)
- 2 x fixed shelves
- 1 or 2 x hanging rails (depending on model purchased)
- 1 x drawer pack (optional) (depending on model purchased)
- 1 x wall fixing kit

In the unlikely event any parts should be missing, please contact our customer service team immediately.

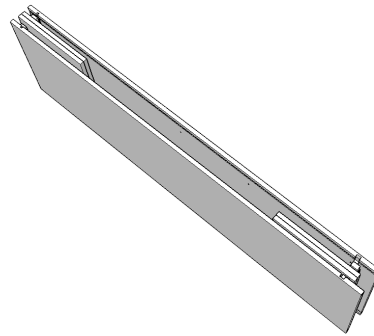
### Assembly tips

- Two people recommended for assembly
- Create a clear area in which to assemble the furniture - as close as possible to it's final location
- The packaging box makes a great floor protector
- No tools are required for the assembly of the furniture
- If you have any questions feel free to give our team a call on 02070 432199

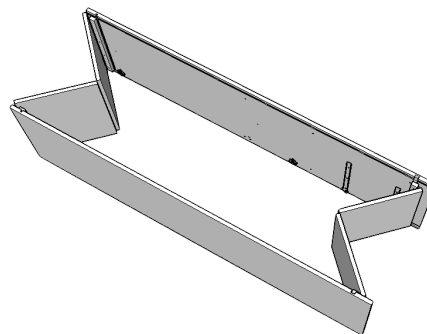
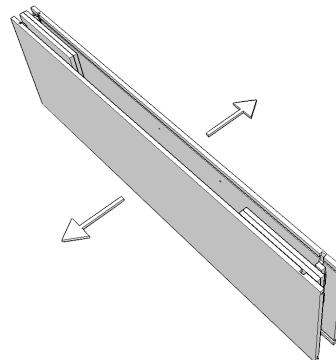
**1** Lay the main frame flat on one of its sides near to the intended destination

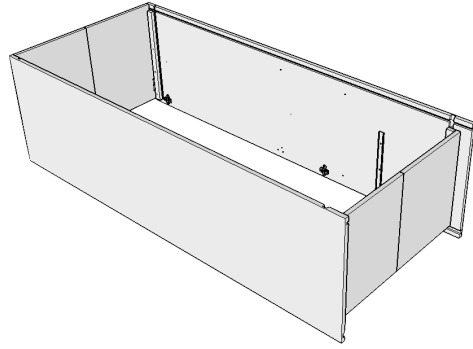


**2** Lift the unit onto its face

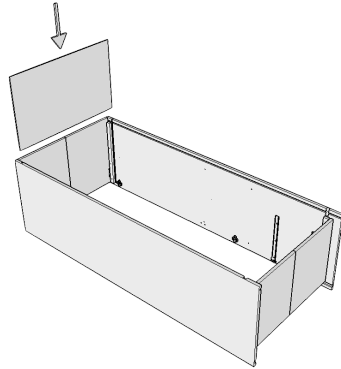


**3** With two people, ensuring your hands are safely placed, lift slightly, and gently pull the side panels apart until the top and bottom panels are straight

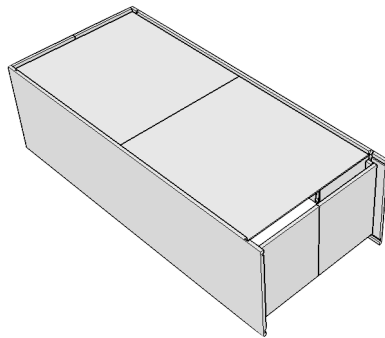
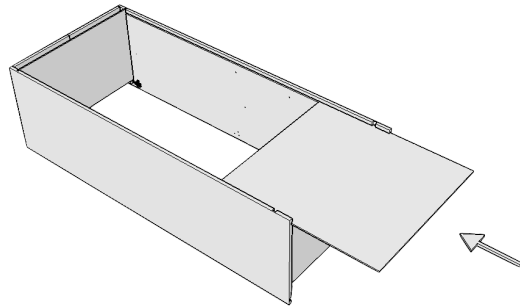




**4 Slide in the top panel**

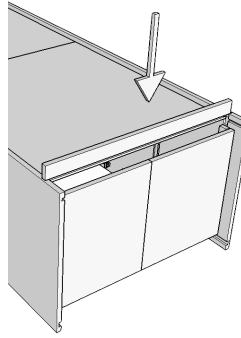


**5 Slide in the back panels**



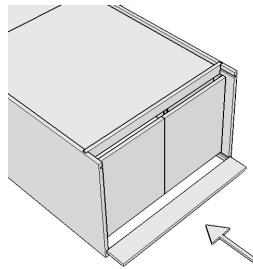
---

**6**      **Slide in the rear batten**



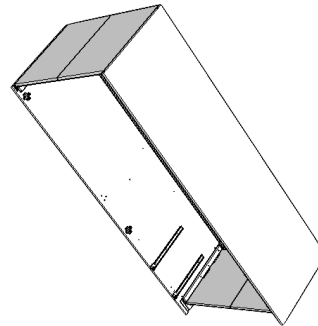
---

**7**      **Slide in the plinth**



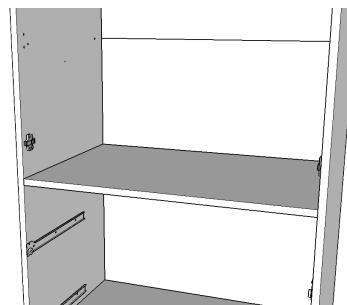
---

**8**      **With two people, slowly lift the unit into an upright position**



---

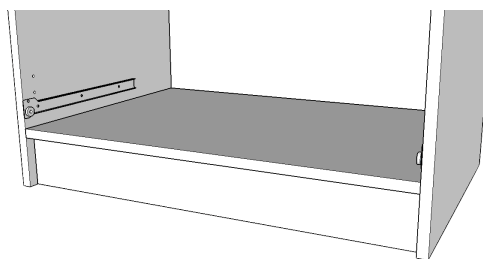
**9**      **Place one of the fixed shelves onto the middle pegs and push down firmly to fix**



---

10

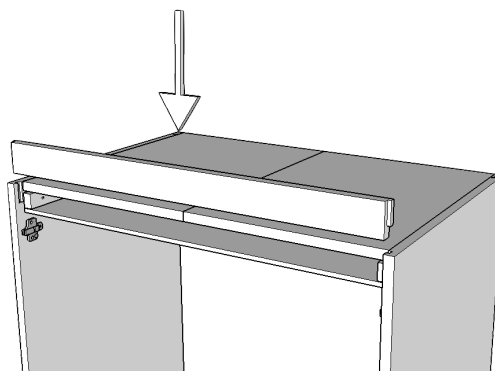
**Place the second fixed shelf onto the lower pegs and push down firmly to fix**



---

11

**Slide in the top bar from above**

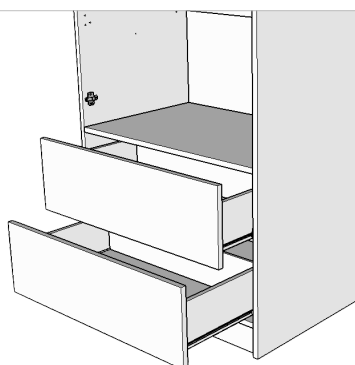


If your item doesn't have drawers, please move on to step 13

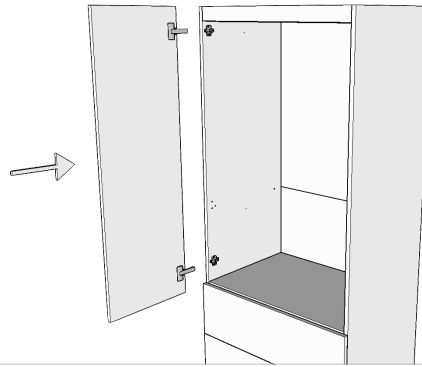
---

12

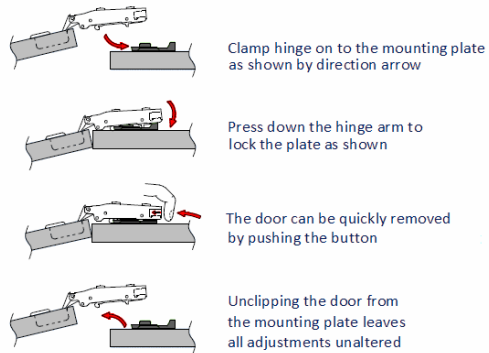
**Insert the drawers**  
(see drawer assembly manual)



**13** Clip the doors onto the mounting plates on the wardrobe frame



Clip On Hinge Instructions



Clamp hinge on to the mounting plate as shown by direction arrow

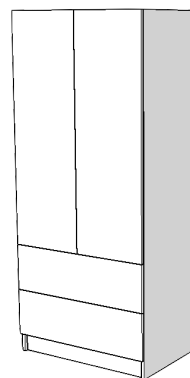
Press down the hinge arm to lock the plate as shown

The door can be quickly removed by pushing the button

Unclipping the door from the mounting plate leaves all adjustments unaltered

**14** Insert hanging rail(s) into brackets

**15** Fix unit to wall using supplied wall fixing kit. Different wall types may require different fixings. Consult a professional if you are unsure.



Our doors come pre-set, however should you need any adjustments please refer to the below image

