



Chest of Drawers Assembly Manual

Spring 2018

Your boxes should contain the following:

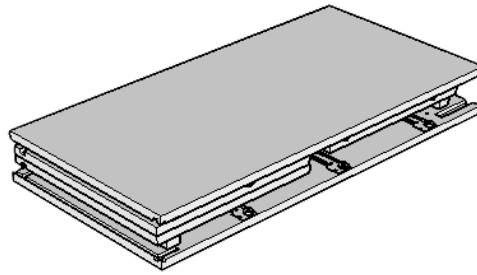
- 1 x main frame
- 2 x back panels (8mm thick)
- 1 x front plinth (10cm deep)
- 1 x rear batten (5cm deep / plain chipboard)
- 1 x top bar (6cm deep)
- 1 x fixed base panel
- 1 x fixed top
- 1 x wall fixing kit

In the unlikely event any parts should be missing, please contact our customer service team immediately.

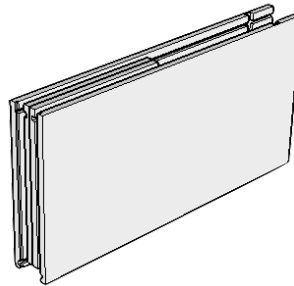
Assembly tips

- Two people recommended for assembly
- Create a clear area in which to assemble the furniture - as close as possible to it's final location
- The packaging box makes a great floor protector
- No tools are required for the assembly of the furniture
- If you have any questions feel free to give our team a call on 02070 432199

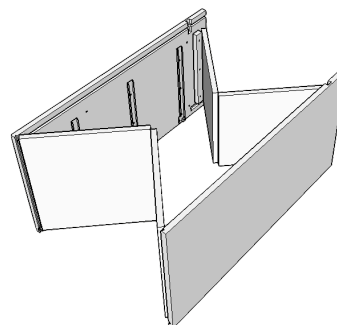
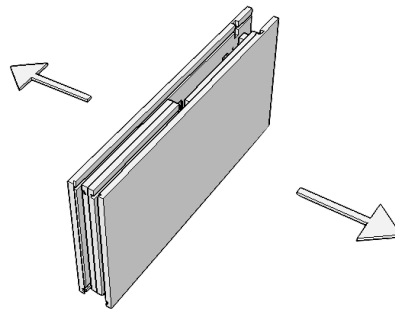
- 1** Lay the main frame flat on one of its sides near to the intended destination

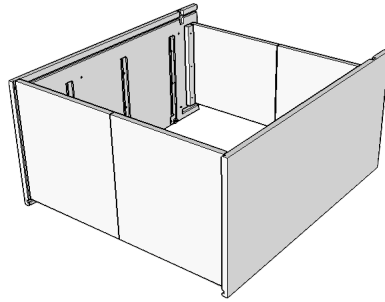


- 2** Lift the unit onto its face

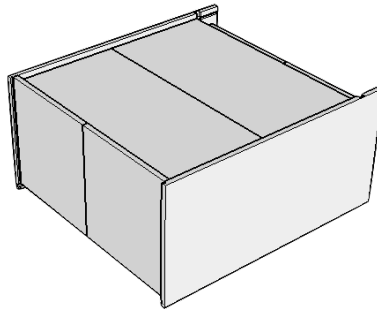
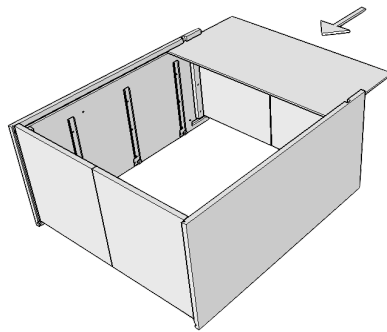


- 3** With two people, ensuring your hands are safely placed, lift slightly, and gently pull the side panels apart until the top and bottom panels are straight

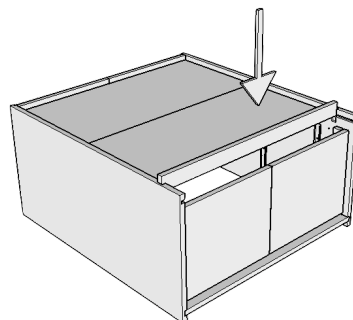




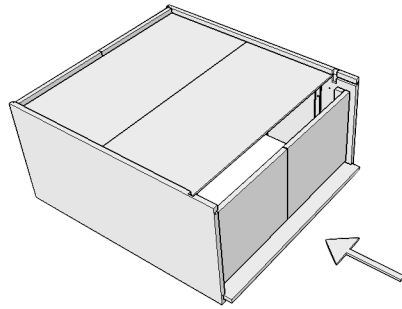
4 Slide in the back panels



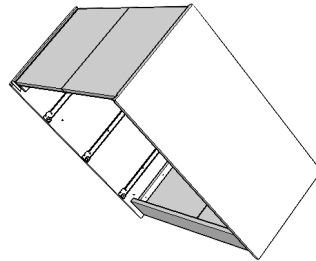
5 Slide in the rear batten



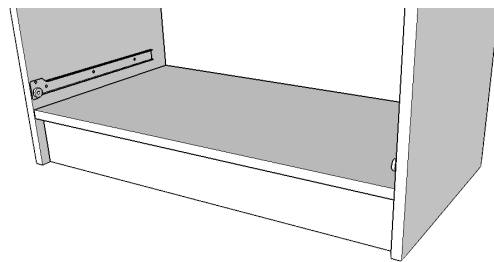
6 Slide in the plinth



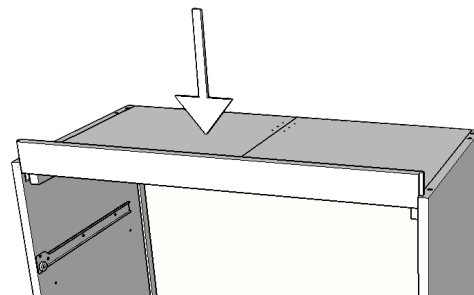
7 With two people, slowly lift the unit into an upright position



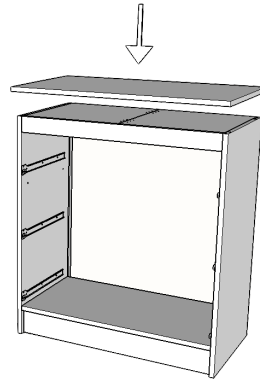
8 Place the fixed base panel onto the lower pegs and push down firmly to fix



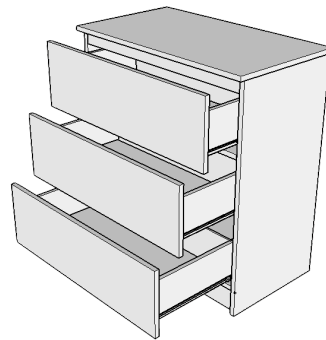
9 Slide in the top bar from above



-
- 10** Firmly push the top onto the pegs to secure



-
- 11** Insert the drawers
(see drawer assembly manual)



-
- 12** Fix unit to wall using supplied wall fixing kit. Different wall types may require different fixings. Consult a professional if you are unsure.

