



## **Bookcase Assembly Manual**

*Spring 2018*

Your boxes should contain the following:

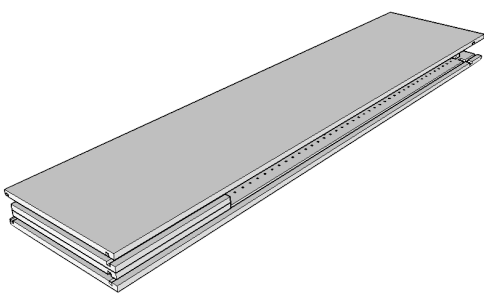
- 1 x main frame
- 2 or 3 x back panels (dependant on model purchased)(8mm thick)
- 1 x top panel (8mm thick)
- 1 x front plinth (10cm deep)
- 1 x rear batten (5cm deep / plain chipboard)
- 1 x top bar (6.5cm deep)
- 2 x fixed shelves
- 4 x moveable shelves
- 16 x shelf support pegs
- 1 x wall fixing kit

In the unlikely event any parts should be missing, please contact our customer service team immediately.

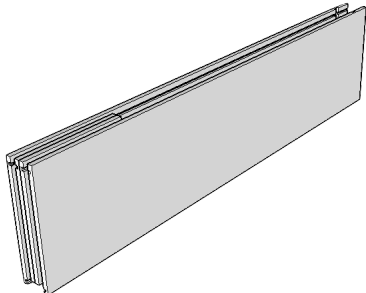
### **Assembly tips**

- Two people recommended for assembly
- Create a clear area in which to assemble the furniture - as close as possible to it's final location
- The packaging box makes a great floor protector
- No tools are required for the assembly of the furniture
- If you have any questions feel free to give our team a call on 02070 432199

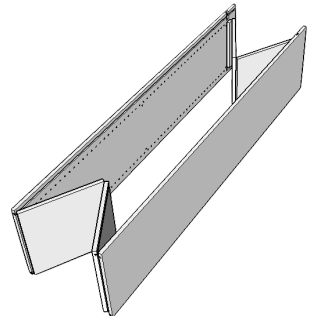
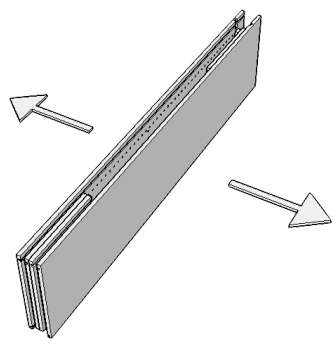
**1** Lay the main frame flat on one of its sides near to the intended destination

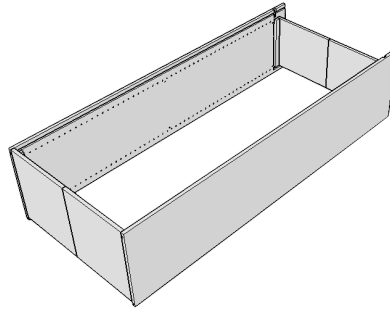


**2** Lift the unit onto its face

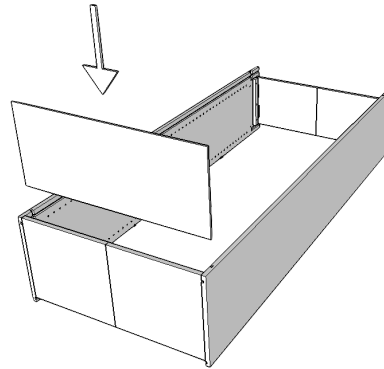


**3** With two people, ensuring your hands are safely placed, lift slightly, and gently pull the side panels apart until the top and bottom panels are straight

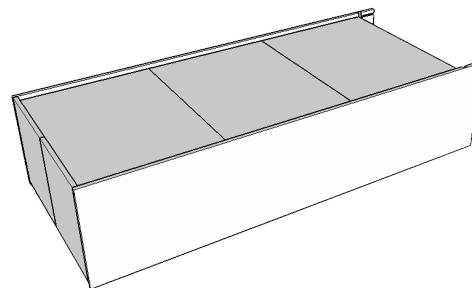
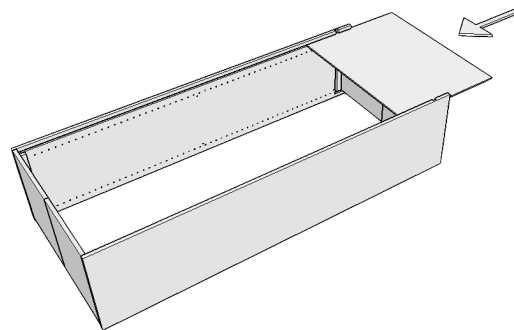




**4 Slide in the top panel**

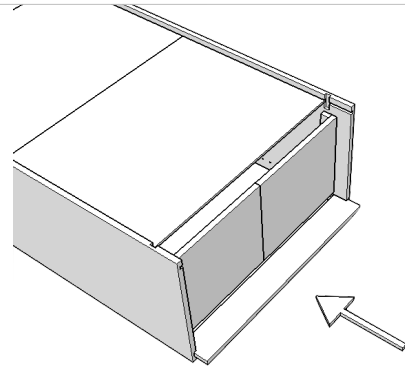


**5 Slide in the back panels**



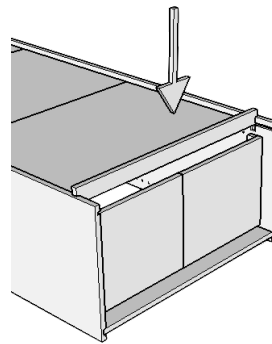
---

**6**      **Slide in the plinth**



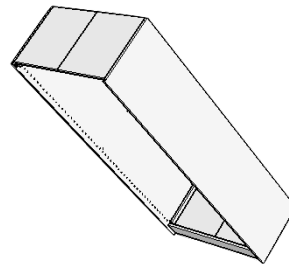
---

**7**      **Slide in the rear batten**



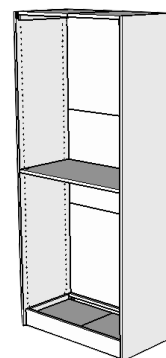
---

**8**      **With two people, slowly lift the unit into an upright position**



---

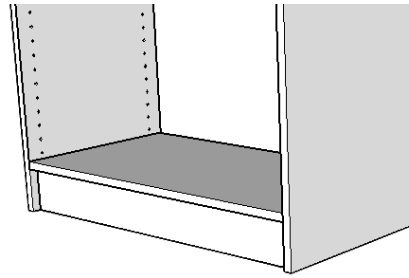
**9**      **Place one of the fixed shelves onto the middle pegs and push down firmly to fix**



---

**10**

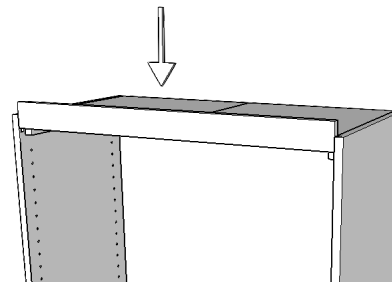
**Place the second fixed shelf onto the lower pegs and push down firmly to fix**



---

**11**

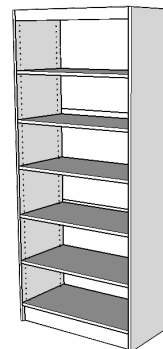
**Slide in the top bar from above**



---

**12**

**Fit shelf support pegs and remaining shelves as required**



---

**13**

**Fix unit to wall using supplied wall fixing kit. Different wall types may require different fixings. Consult a professional if you are unsure.**

