



Bedside Table Assembly Manual

Spring 2018

Your boxes should contain the following:

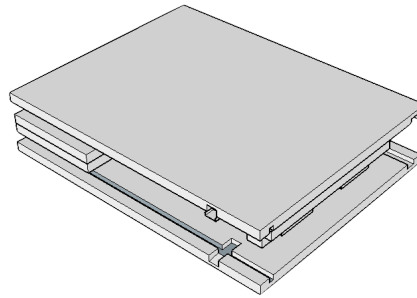
- 1 x main frame
- 1 x back panel (8mm thick)
- 1 x front plinth (10cm deep)
- 1 x rear batten (5cm deep / plain chipboard)
- 1 x top bar (6.5cm deep)
- 2 x fixed shelves (1 x fixed shelf with upper drawer unit)
- 1 x drawer (depending on model purchased)

In the unlikely event any parts should be missing, please contact our customer service team immediately.

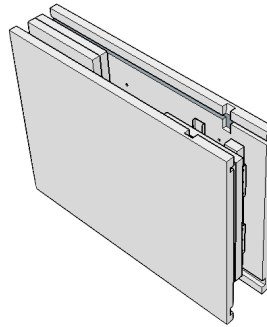
Assembly tips

- Create a clear area in which to assemble the furniture - as close as possible to it's final location
- The packaging box makes a great floor protector
- No tools are required for the assembly of the furniture
- If you have any questions feel free to give our team a call on 02070 432199

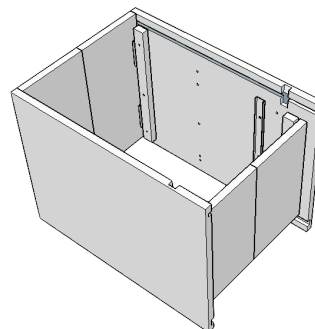
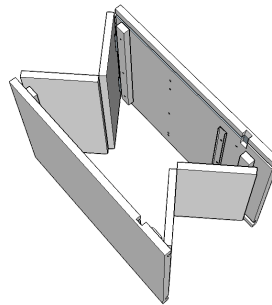
- 1** Lay the main frame flat on one of its sides near to the intended destination



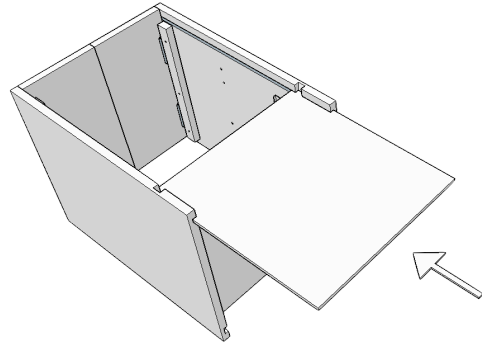
- 2** Lift the unit onto its face



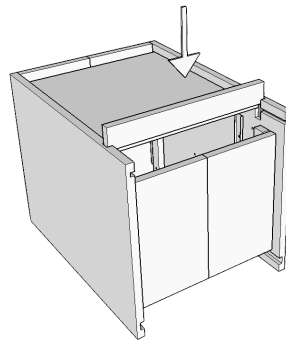
- 3** Ensuring your hands are safely placed, lift slightly, and gently pull the side panels apart until the top and bottom panels are straight



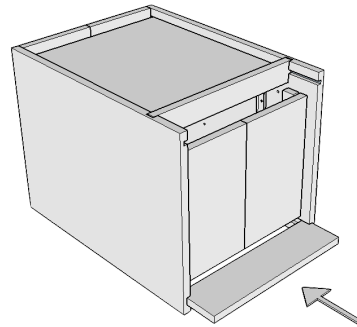
4 **Slide in the back panel**



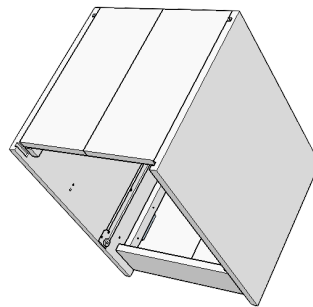
5 **Slide in the rear batten**



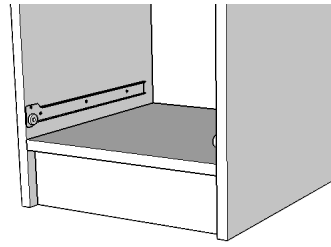
6 **Slide in the plinth**



7 **Lift the unit into an upright position**

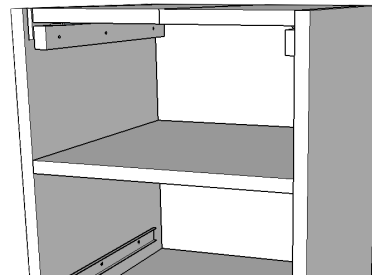


-
- 8** Place the fixed shelf onto the lower pegs and push down firmly to fix

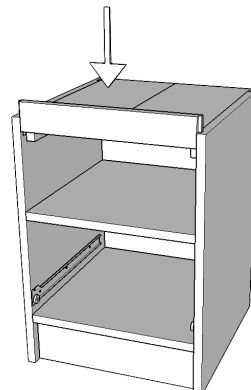


-
- 9** Place the second fixed shelf onto the middle pegs and push down firmly to fix

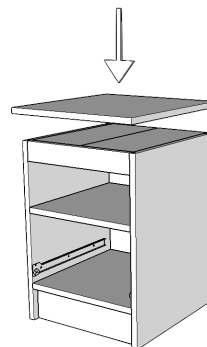
(skip this step if you have the upper drawer unit)



-
- 10** Slide in the top bar from above



-
- 11** Firmly push the top onto the pegs to secure



12

Insert the drawer

(see drawer assembly manual)

