



## Bed Assembly Manual

v1

Your boxes should have the following:

- 1 x main frame
- 1 or 2 x middle supports (single / double)
- 1 x front panel
- 3 x top panels

*(Optional)*

- 1 x headboard*
- 4 x bolts*
- 4 x washers*
- 4 x wing nuts*

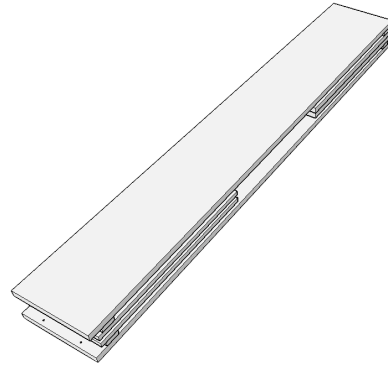
In the unlikely event any parts should be missing, please contact our customer service team immediately.

### Assembly tips

- Two people recommended for assembly
- Create a clear area in which to assemble the furniture - as close as possible to it's final location
- The packaging box makes a great floor protector
- No tools are required for the assembly of the furniture
- If you have any questions feel free to give our team a call on 02070 432199

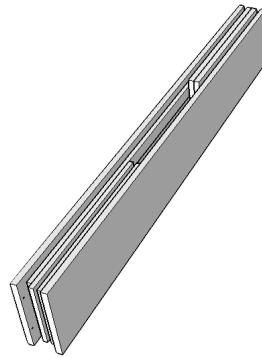
**1**

**Lay the main frame flat on one of its sides near to the intended destination**



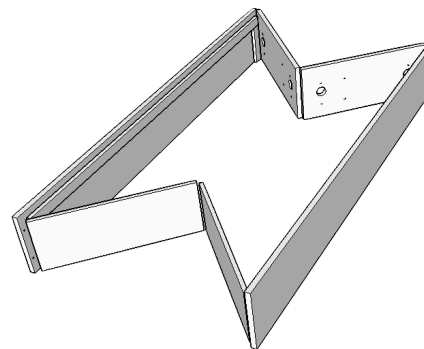
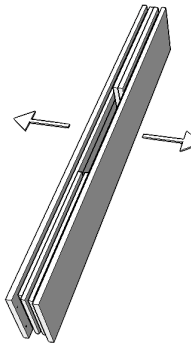
**2**

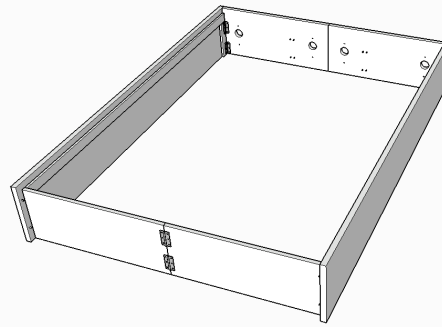
**Place the frame upright ensuring the battens on the sides are closer to the top**



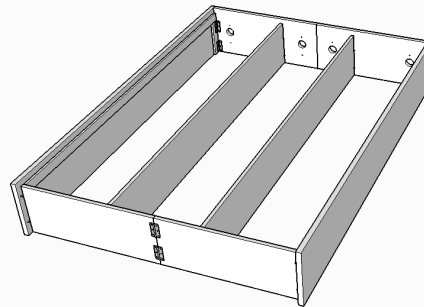
**3**

**With two people, lift slightly and gently pull the side panels apart until the top and bottom panels are straight**

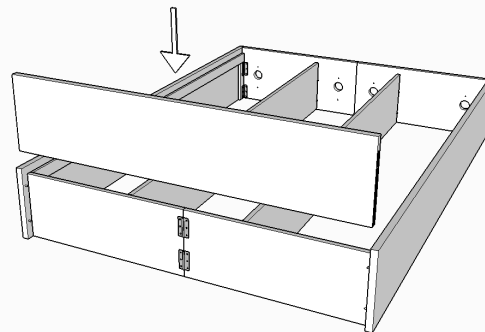




- 
- 4** Slide middle support(s) in-between pegs on main frame.



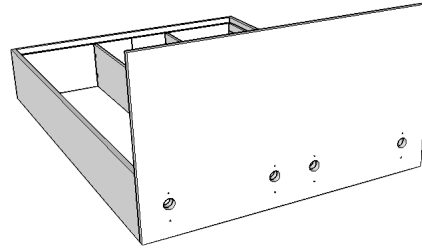
- 
- 5** Slide the front panel onto the pegs.



---

**If you don't have a headboard, skip to step 7.**

- 
- 6** Line the headboard up with the head of the bed and insert bolts (4) through from the rear of the headboard. Insert the washers (4) onto the bolts inside bed frame. Tighten with the wing nuts (4)



- 7** Place on the top panels.

