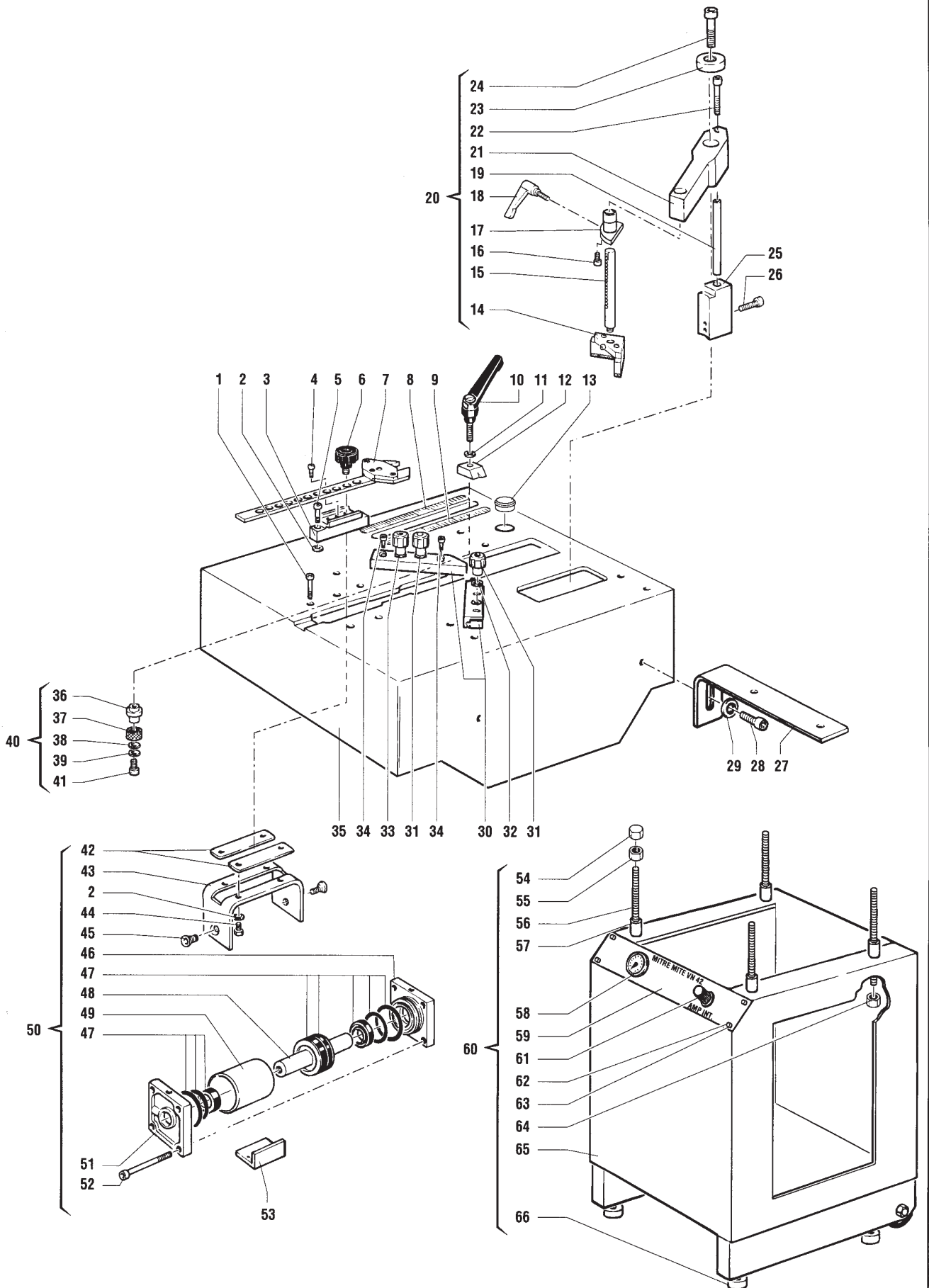


MITRE-MITE VN 42

DWG Nr. 042.0.111

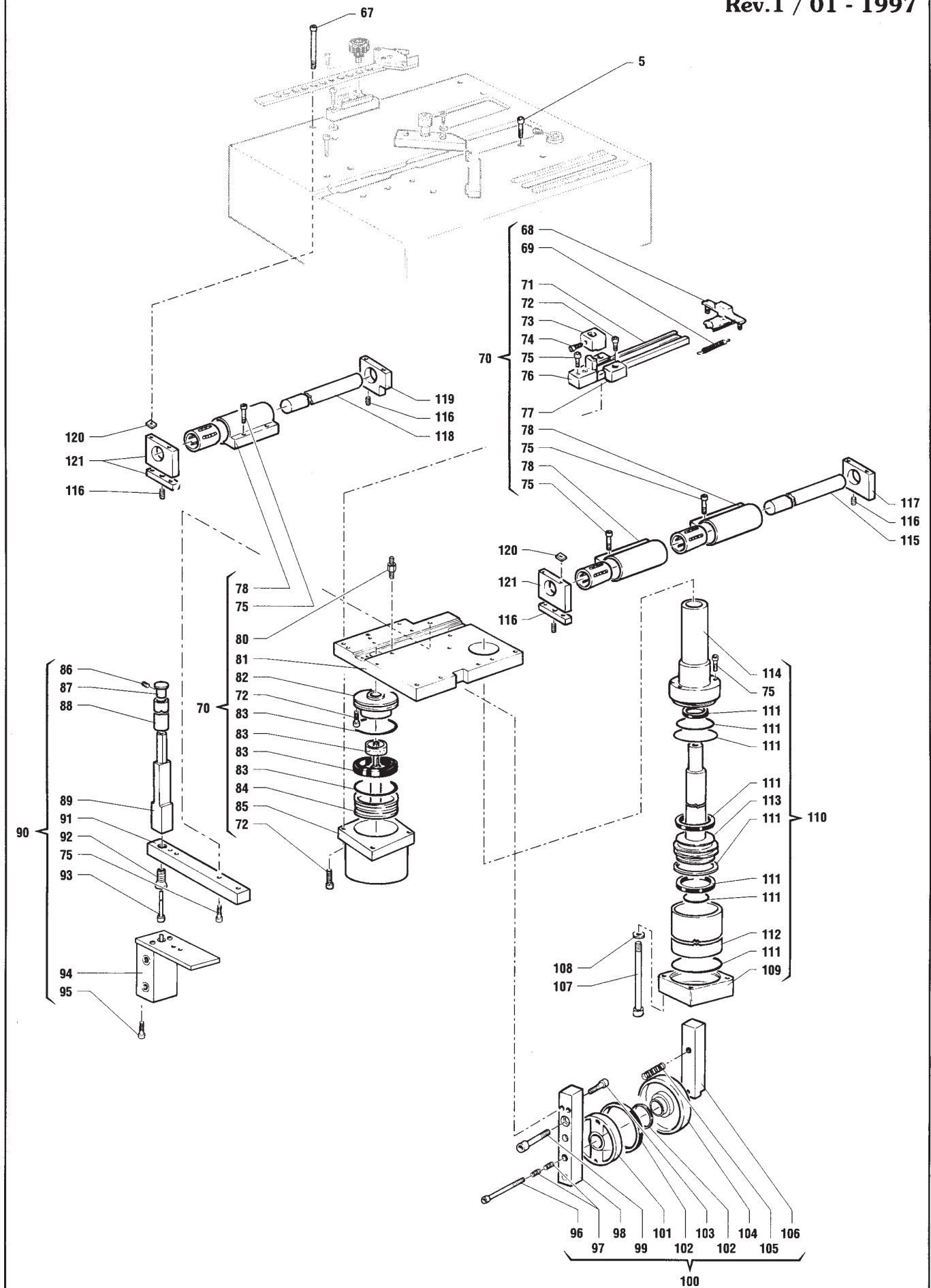
Rev.1 / 01 - 1997



MITRE-MITE VN 42

DWG Nr. 042.0.111

Rev.1 / 01 - 1997

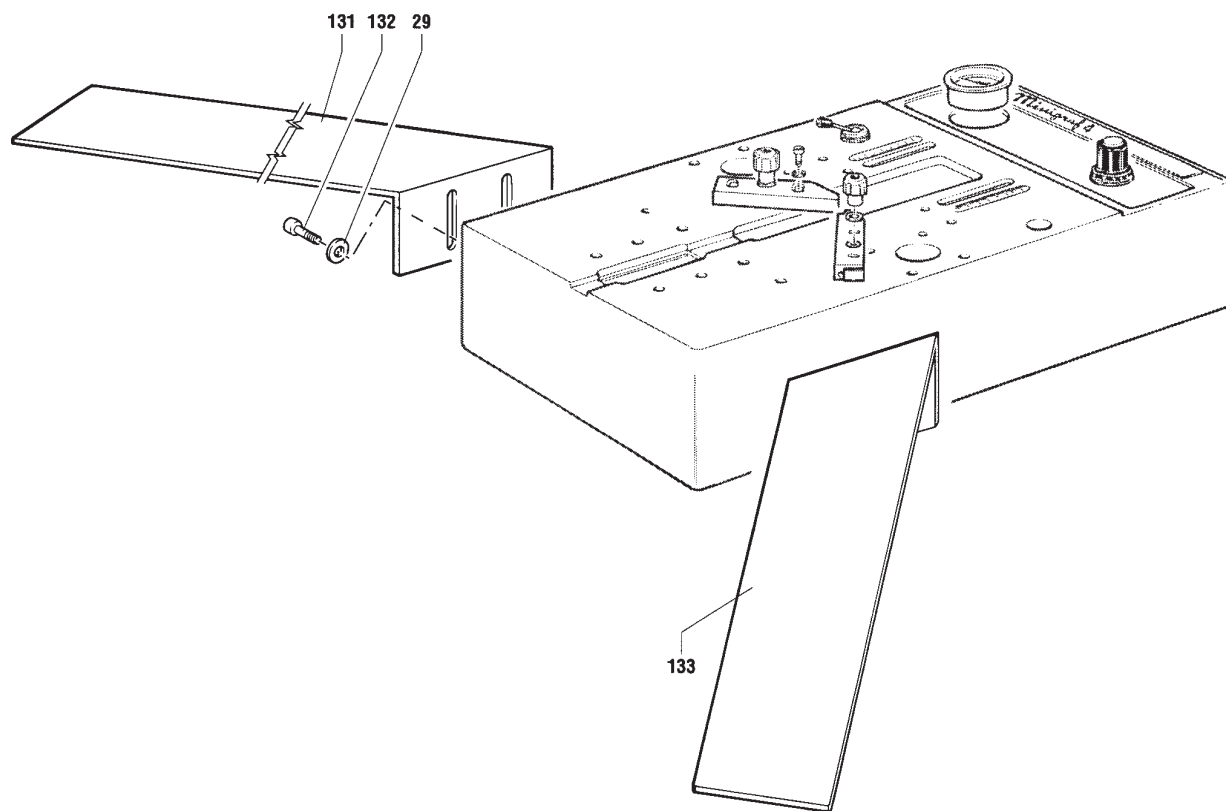
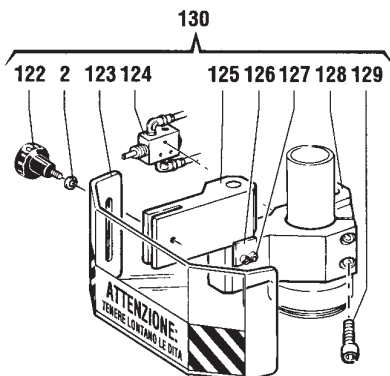


MITRE-MITE VN 42

DWG Nr. 042.0.111

Optional

Rev.1 / 01 - 1997



Please Note: Parts in bold red text are available for purchase online at: www.itwamp.com

Mitre Mite VN 42

Dwg nr. 042.0.111

| Ref. | Item | Qty | Description |
|-----------|------------------|-----------|--|
| 1 | 710100076 | 4 | Screw |
| 2 | 718100003 | 11 | Washer (6mm) |
| 3 | 392750010 | 1 | Cursor |
| 4 | 366210030 | 1 | Screw |
| 5 | 710100074 | 6 | Screw |
| 6 | 753320001 | 1 | Front Clamp Knob |
| 7 | 242170020 | 1 | Standard Front Clamp |
| 7 | 242170050 | 1 | Spring Loaded Front Clamp |
| 8 | 366710141 | 1 | Left inch rule |
| 9 | 366710131 | 1 | Right inch rule |
| 10 | 243170020 | 1 | Ratchet Handle For Stop (M8X35) |
| 11 | 336100070 | 2 | Washer OD=16 ID=8 H=4 |
| 12 | 397150010 | 1 | Clamp Right "Z" |
| 13 | 365010050 | 1 | Plug OD=22 |
| 14 | 242230050 | 1 | Square rubber pressure plate |
| 15 | 334000051 | 1 | Hold Down Rod D=16mm L=141mm |
| 16 | 710100044 | 2 | Screw |
| 17 | 336500060 | 1 | Bushing ID=16 L=44 |
| 18 | 243170010 | 1 | Ratchet handle for hold down |
| 19 | 334000060 | 1 | Rod |
| 20 | 241170040 | 1 | Screw |
| 21 | 376400150 | 1 | Support |
| 22 | 710100190 | 1 | Screw |
| 23 | 336100120 | 1 | Washer |
| 24 | 710100119 | 1 | Screw |
| 25 | 383900150 | 1 | Block |
| 26 | 710100072 | 2 | Screw |
| 27 | 294200010 | 6 | Bracket |
| 28 | 710100115 | 8 | Screw |
| 29 | 718100004 | 6 | Special Washer I.D.=8.5mm |
| 29 | A001 | 1 | Table Support Bracket Set |
| 30 | 243160030 | 1 | Dial Adjust Fence |
| 31 | 336300030 | 2 | Knob |
| 32 | 337500030 | 3 | Spacer |
| 33 | 336300060 | 1 | Knob |
| 34 | 710100091 | 4 | Screw |
| 35 | 211250100 | 1 | Main Frame |
| 36 | 336600030 | 2 | Bushing |
| 37 | 337500070 | 2 | Spacer |
| 38 | 718100004 | 2 | Washer |
| 39 | 718300004 | 2 | Washer |
| 40 | 248000050 | 2 | Complete limit Stop |
| 41 | 710100134 | 2 | Screw |
| 42 | 371200010 | 2 | Slide |
| 43 | 384400010 | 1 | Support |
| 44 | 710600002 | 4 | Screw |
| 45 | 710200081 | 2 | Screw |
| 46 | 352200030 | 1 | Head |
| 47 | 298390050 | 1 | Gasket Kit Front Clamp Cylinder |
| 48 | 331000030 | 1 | Piston |
| 49 | 333500020 | 1 | Cylinder Sleeve |
| 50 | 225120010 | 1 | Complete Front Clamp Cylinder |
| 51 | 352200020 | 1 | Front Clamp Cylinder Head |
| 52 | 710100087 | 4 | Screw |

Mitre Mite VN 42

Dwg nr. 042.0.111

| Ref. | Item | Qty | Description |
|-------------|------------------|------------|---|
| 53 | 384200020 | 2 | Bracket For Front Clamp |
| 54 | 715250001 | 4 | Cap Nut |
| 55 | 715350001 | 4 | Hex Nut |
| 56 | 707120001 | 4 | Threaded Bar |
| 57 | 336500100 | 4 | Threaded Bushing |
| 58 | 734230003 | 1 | Main Pressure gauge |
| 59 | 365210120 | 1 | Name Plate VN42 |
| 60 | 240450050 | 1 | Complete Floorstand VN42 |
| 61 | 735630002 | 1 | Pressure Regulator 1/8" 0-8BAR |
| 62 | 710100003 | 4 | Screw |
| 63 | 718100001 | 4 | Washer |
| 64 | 715850002 | 4 | Nut 16mm |
| 65 | 291670020 | 1 | Base Only For VN42 |
| 66 | 753690010 | 4 | Leveller Floor (All Models With Stands) |
| 67 | 710100092 | 4 | Screw SCS 6x65 |
| 68 | 245450010 | 1 | Clawpusher With Arm VN42 Only |
| 69 | 765000028 | 2 | Feed Spring VN42 |
| 70 | 224240090 | 1 | Complete Driver Assembly VN42 |
| 71 | 398350031 | 1 | Steel Nail Magazine 2000+ |
| 72 | 710100093 | 8 | Screw |
| 73 | 394950060 | 1 | Nail Head H5 |
| 73 | 394950020 | 1 | Nail Head H7 |
| 73 | 394950030 | 1 | Nail Head H10 |
| 73 | 394950040 | 1 | Nail Head H12 |
| 73 | 394950050 | 1 | Nail Head H15 |
| 74 | 710100070 | 5 | Screw Scs 6 x 8 |
| 75 | 710100079 | 14 | Screw Scs 6 x 25 |
| 76 | 384200050 | 1 | L-Support Block |
| 77 | 383600020 | 2 | Block For Magazine |
| 78 | 247000010 | 3 | Complete Bushing VN42 |
| 80 | 393850010 | 2 | Spring Holder VN42 |
| 81 | 373400230 | 1 | Plate |
| 82 | 352400010 | 1 | Driver Cylinder Head OD =70 |
| 83 | 298390041 | 1 | Driver Cylinder Gasket kit |
| 84 | 298420040 | 1 | Piston & Driver Blade |
| 85 | 352200260 | 1 | Driver Cylinder |
| 86 | 714300003 | 1 | Set Screw 4 x 4 |
| 87 | 363710020 | 1 | Push Button For VN42 |
| 88 | 336500090 | 1 | Bushing OD=25 ID=16 H=85, VN42 |
| 89 | 334500030 | 1 | Handle 20 X 20, L=150, VN42 |
| 90 | 253710020 | 1 | Complete Push Button Assembly VN42 |
| 91 | 388200010 | 1 | Bracket |
| 92 | 366210020 | 1 | Special Screw 12 x 25 |
| 93 | 331500060 | 1 | Rod OD=4 |
| 94 | 732290002 | 2 | Foot Pedal, Touch lever, Push button Control valve |
| 95 | 710100077 | 2 | Screw SCS 6 x 20 |
| 96 | 710100085 | 1 | Screw SCS 6 x 60 |
| 97 | 765000007 | 2 | Spring (Molla 0.5 X 3.1 X15.5 CRSI) |
| 98 | 381300010 | 1 | Support |
| 99 | 710100158 | 1 | Screw SCS 10 x 45 |
| 100 | 381300010 | 1 | Support |
| 101 | 332500010 | 1 | Piston |
| 102 | 298390060 | 1 | Gasket Kit AFC + Brake Cylinder OD=93 ID=38 |
| 103 | 710100077 | 2 | Screw SCS 6 x 20 |

Please Note: Parts in bold red text are available for purchase online at: www.itwamp.com

Mitre Mite VN 42

Dwg nr. 042.0.111

| Ref. | Item | Qty | Description |
|-------------|------------------|------------|---|
| 104 | 333000010 | 1 | Cover |
| 105 | 765000004 | 1 | Spring (2 X 17 X 35) |
| 106 | 383600010 | 1 | Support |
| 107 | 710100089 | 4 | Screw SCS 6 X 130 |
| 108 | 718100003 | 4 | Washer 6mm |
| 109 | 352200120 | 1 | Vertical Cylinder Base OD=70 |
| 110 | 225220050 | 1 | Complete Vertical Cylinder |
| 111 | 298390080 | 1 | Vertical Cylinder Gasket Kit OD=70 ID=38 |
| 112 | 333500080 | 1 | Vertical Cylinder Sleeve ID=70 L=90 |
| 113 | 331000160 | 1 | Piston For Vertical Cylinder OD=70 |
| 114 | 352400100 | 1 | Vertical Cylinder Head |
| 115 | 334000080 | 1 | Guide Rod OD=25 L=340 |
| 116 | 714300016 | 4 | Set Screw 6mm x 8mm |
| 117 | 383900140 | 1 | Support |
| 118 | 334000070 | 1 | Guide Rod OD=25 L=230 |
| 119 | 383900130 | 1 | Support |
| 120 | 381600100 | 8 | Leveller Spacer |
| 121 | 383900120 | 2 | Support |
| 121 | 372900030 | 2 | Support, 56E 67J 100K |
| 122 | 753320005 | 1 | Knob D=20 M6X25 |
| 123 | 398950040 | 1 | Protective Shield |
| 124 | 732540003 | 1 | Valve For Safety Guard |
| 125 | 381300260 | 1 | Support |
| 126 | 373400220 | 1 | Plate |
| 127 | 710100052 | 2 | Screw |
| 128 | 381300270 | 1 | Support |
| 129 | 710100139 | 2 | Screw SCS 8 x 20 |
| 130 | 248950030 | 1 | Complete Safety Guard VN42 |
| 131 | 391650511 | 1 | Left Extension Arm |
| 132 | 710100112 | 4 | Screw SCS 8 x 14 |
| 133 | 391650501 | 1 | Right Extension Arm |
| 134 | 291650010 | 1 | Extension Arm Set |

Please Note: Parts in bold red text are available for purchase online at: www.itwamp.com

Mitre Mite VN 42 Pneumatic List

Dwg nr. 43/P

| Ref. | Item | Qty | Description |
|-------------|------------------|------------|--|
| 1 | 734230004 | 1 | Main Pressure gauge |
| 2 | | | Fitting |
| 3 | | | Tube 6x4 |
| 4 | | | Fitting |
| 5 | | | Fitting |
| 6 | | | Fitting |
| 7 | | | Fitting |
| 8 | | | Fitting |
| 9 | 735630002 | 1 | Pressure Regulator 1/8" 0-8BAR |
| 10 | | | Tube 8 x 6 |
| 11 | | | Fitting |
| 12 | | | Air Filter |
| 13 | | | Fitting |
| 14 | | | Tube 4 x 2.5 |
| 15 | 258710010 | 1 | Complete Pneumatic Foot Pedal |
| 15 | 732290002 | 2 | Foot Pedal,Touch lever, Push button Control valve |
| 16 | | | Fitting |
| 17 | | | Fitting |
| 18 | 756700003 | 6 | 1/8" Silencer |
| 19 | 732440003 | 3 | Control Valve (VN4, VN42, VN44) |
| 20 | | | Fitting |
| 21 | | | Fitting |
| 22 | | | Fitting |
| 23 | 732290002 | 2 | Foot Pedal,Touch lever, Push button Control valve |