

# Maintenance, Troubleshooting and FAQ

## 10. Frequently Asked Questions

**Q: What is the maximum material thickness?**

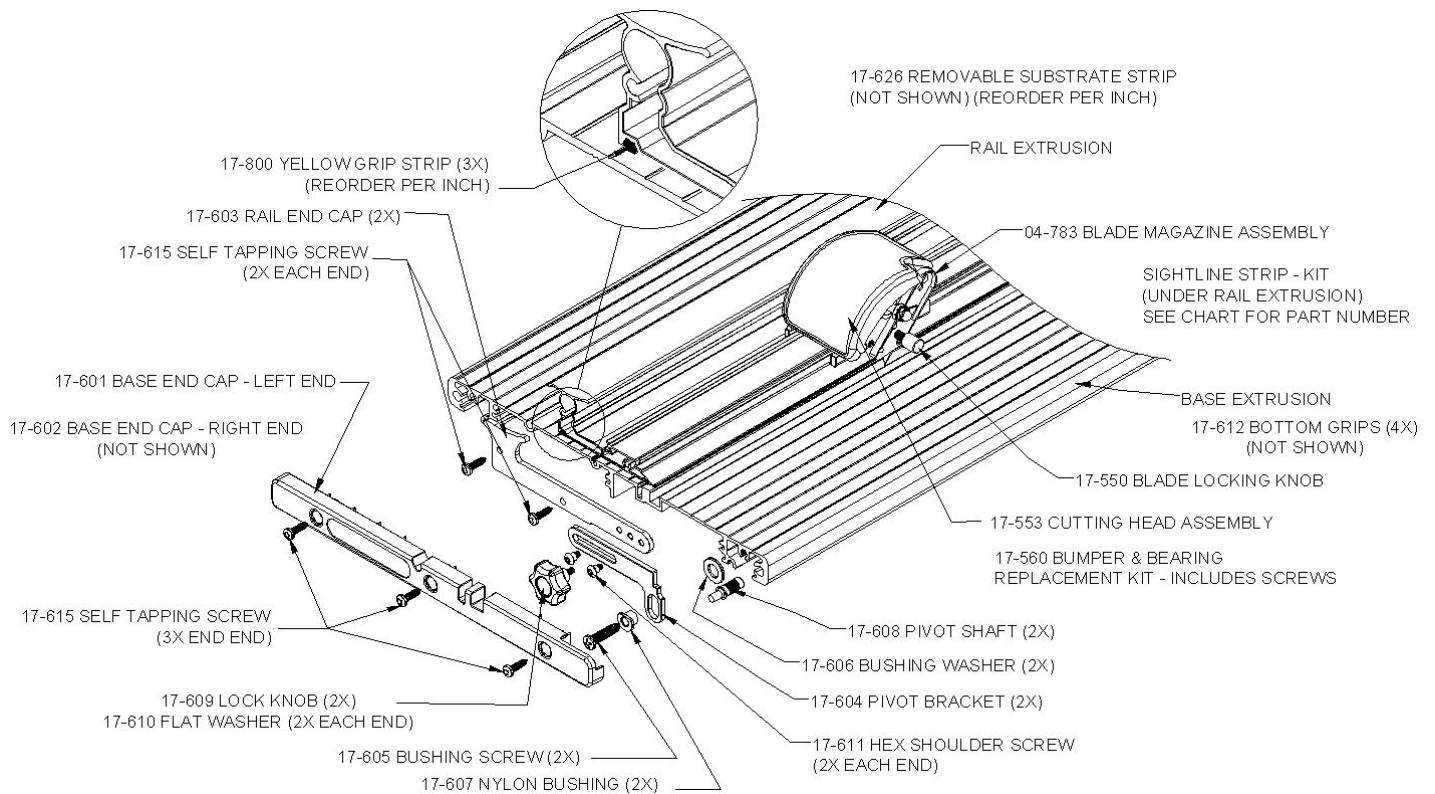
A: The maximum thickness is ½" (13mm).

**Q: Can I cut material that is longer than the Titan?**

A: Yes, the hinge and lift arm mechanism and open-ended design of the Titan will enable it to process over-length material.

## 11. Replacement Parts List

To order Replacement Parts, contact Fletcher-Terry's Customer Service Department at 800.843.3826 in the United States. Outside the United States, call ++860.677.7331 or go to the online buying section on our website at [www.fletcher-terry.com](http://www.fletcher-terry.com).



# Maintenance, Troubleshooting and FAQ

## 12. Common Consumables and Accessories

| Part   | Part Number |
|--|-------------|
| Blades (Box of 100)  | 05-004      |
| Blade Magazine Assembly  | 04-783      |
| Squaring Arm Attachment  | 04-796      |
| 40" (1m) Stand with Basket Catcher                               | 04-791      |
| 60" (1.5m) Stand with Basket Catcher                             | 04-792      |
| 80" (2m) Stand with Basket Catcher                               | 04-793      |
| 100" (2.5m) Stand with Basket Catcher                            | 04-794      |
| 120" (3m) Stand with Basket Catcher                              | 04-795      |
| Blade Stiffener Assembly   | 17-551      |
| Bumper & Bearings Replacement Kit<br>(for Cutting Head assembly) | 17-560      |
| Sight-Line Guide Strip Kit (40")                                 | 17-810      |
| Sight-Line Guide Strip Kit (60")                                 | 17-811      |
| Sight-Line Guide Strip Kit (80")                                 | 17-812      |
| Sight-Line Guide Strip Kit (100")                                | 17-813      |
| Sight-Line Guide Strip Kit (120")                                | 17-814      |