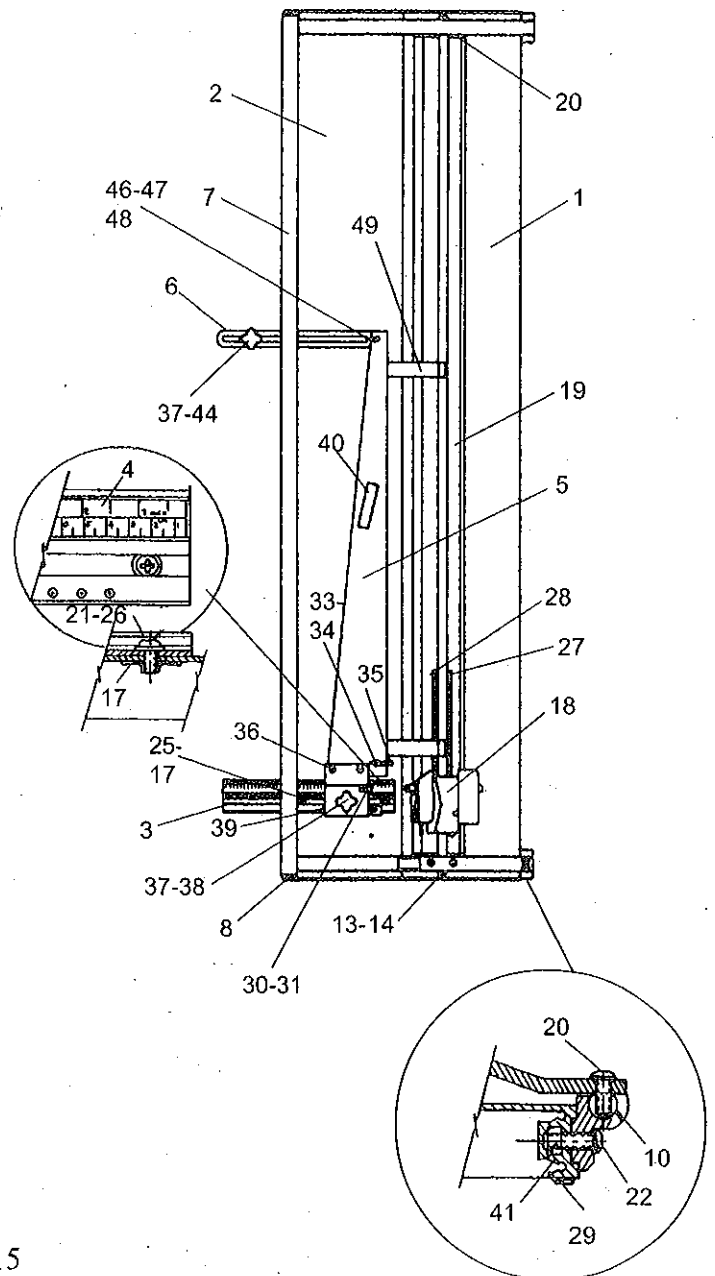
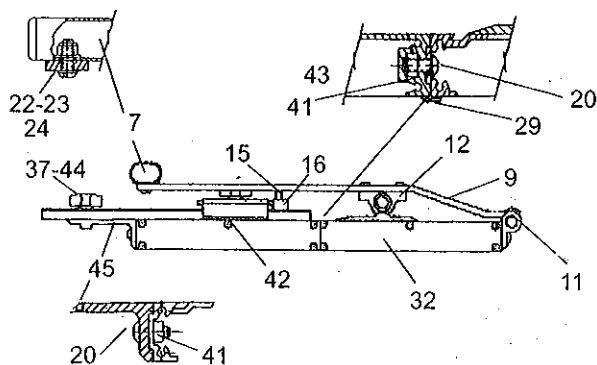


# PARTS LISTS

Ref.	Part No.	Description	Quantity
1	12-500	Base R.H. 40" Capacity	1
1	12-001	Bass R.H. 48" Capacity	1
1	12-116	Base R.H. 60" Capacity	1
2	12-501	Base L.H. 40" Capacity	1
2	12-502	Base L.H. 48" Capacity	1
2	12-503	Base L.H. 60" Capacity	1
3	12-504	Mat Guide Slide Inch	1
3	12-554	Mat Guide Slide Metric	1
4	12-567	Mat Guide Slide Scale	1
5	12-583	Mat Guide Assy. 40" & 48"	1
5	12-584	Mat Guide Assy. 60" Capacity	1
6	12-507	Locking Strap	1
7	12-585	Handle 40" Capacity	1
7	12-568	Handle 48" Capacity	1
7	12-580	Handle 60" Capacity	1
8	12-569	Handle End Cap	2
9	12-570	Hinge Bracket	2
10	12-009	Hinge	2
11	12-010	Pivot Shaft	2
12	12-011	Shaft Bracket	2
13	12-012	Shoulder Screw	2
14	12-013	Spring Washer	2
15	12-014	Locator Pin	2
16	12-015	Mat Gage Imperial	1
16	12-550	Mat Gage Metric	1
17	12-509	Base Nut	2
18	12-586	Cutting Head Assembly	1
19	12-511	Clamp Assy. 40"	1
19	12-512	Clamp Assy. 48"	1
19	12-513	Clamp Assy. 60"	1
20	12-314	Button Head Screw	9
21	12-314	Button Head Screw	1
22	12-021	Button Head Cap Screw	6
23	12-022	Washer	2
24	12-023	Lock Nut	2
25	12-312	Flat Head Screw	1
26	12-571	Washer (Black)	1
27	12-573	Inch Scale	1
28	12-574	Metric Scale	1
29	12-035	Button	12
30	12-039	Scale Indicator	1
31	12-293	Pan Head Screw	1

Ref.	Part No.	Description	Quantity
32	12-041	End Cap	2
33	12-042	Mat Stop Knob	1
34	12-043	Washer	1
35	12-044	Mat Stop	1
36	12-244	Flat Head Screw	2
37	12-576	Comfort Knob	2
38	12-514	Key	1
39	12-049	Stop Screw	2
40	12-052	Wear Tape	5
41	12-053	Square Nut	9
42	12-054	End Cap Screw	20
43	12-056	Button Head Screw	4
44	12-318	Washer	1
45	12-125	Bracket	1
46	12-126	Flat Head Machine Screw	1
47	12-127	Lock Washer	1
48	12-128	Acorn Nut	1
49	12-543	Mat Guide Squaring Fixture	2



# CUTTING HEAD

Ref.	Part No.	Description	Quantity	Ref.	Part No.	Description	Quantity
		Pivot Head					
1	12-572	Assembly (LH)	1	10	12-537	Shoulder Screw	2
2	12-530	Extension Spring	2	11	12-538	Bushing	2
3	12-588	Stainless Washer	2	12	12-591	Pivot Head Assembly (RH)	1
4	12-532	Pivot Screw	2	13	12-915	Knob (RH)	1
5	12-533	Shim Washer	4	14	12-542	Magazine Assembly (LH)	1
6	12-589	Comfort Grip (LH)	1	15	12-102	Pivot Arm	1
7	12-535	Knob (LH)	1	16	12-593	Magazine Assembly (RH)	1
8	12-590	Flat Head Screw	5	17	12-241	Plastic Knob (RH)	1
9	12-073	Ball bearing	3	18	12-242	Hex Stud	1
				19	12-243	Sight Gage	1
				20	12-2592	Comfort Grip	1

