



LED-HIDRL™ | 80-125W, 120-277v Direct-Wire

ADVANTAGES

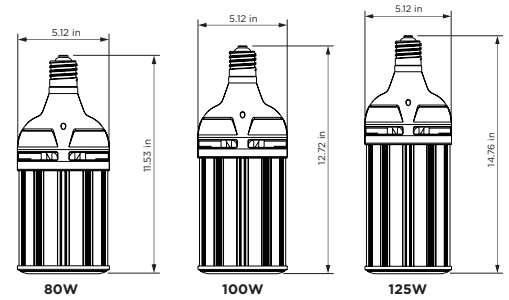
- » Direct wire lamps, must bypass the HID ballast before installation
- » Suitable for use in totally enclosed fixtures
- » Suitable for damp outdoor locations, water-resistant
- » Working temperature -40F ~ 140F, active heat dissipation with aircraft grade aluminum
- » 360 degree beam angle
- » Flame retardant materials
- » UL Listed
- » DLC 4.2 Qualified
- » 50000 Hours, 5 Year Warranty Guarantee



Project: _____
 Location: _____
 Cat. No: _____
 Type: _____
 Qty: _____
 Notes: _____

LED Wattage and Lumen Values

WATTS	LUMENS
80W	10800L
100W	13500L
125W	16875L



Suitable for Enclosed Fixtures



5 Year Warranty



Direct line voltage 100-270V
 NOT COMPATIBLE WITH BALLASTS

Ordering Guide

EXAMPLE: LED-HIDRL-80W-UNV-E26-I-3000K-G5

TYPE	WATTAGE	VOLTAGE	BASE	DRIVER	CCT	GENERATION
LED-HIDRL	80W = 80W 100W = 100W 125W = 125W	UNV = 120-277V	EX39 Mogul Base	I = INTERNAL	30K = 3000K 35K = 3500K 40K = 4000K 50K = 5000K 57K = 5700K	G5

Mills Lighting Quick Ship Program Model #'s

LED-HIDRL-80W-UNV-EX39-I-3000K-G5
LED-HIDRL-80W-UNV-EX39-I-4000K-G5
LED-HIDRL-80W-UNV-EX39-I-5000K-G5
LED-HIDRL-100W-UNV-EX39-I-3000K-G5
LED-HIDRL-100W-UNV-EX39-I-4000K-G5
LED-HIDRL-100W-UNV-EX39-I-5000K-G5
LED-HIDRL-125W-UNV-EX39-I-3000K-G5
LED-HIDRL-125W-UNV-EX39-I-4000K-G5
LED-HIDRL-125W-UNV-EX39-I-5000K-G5
LED-HIDRL-27W-UNV-EX39-I-5000K-G5

