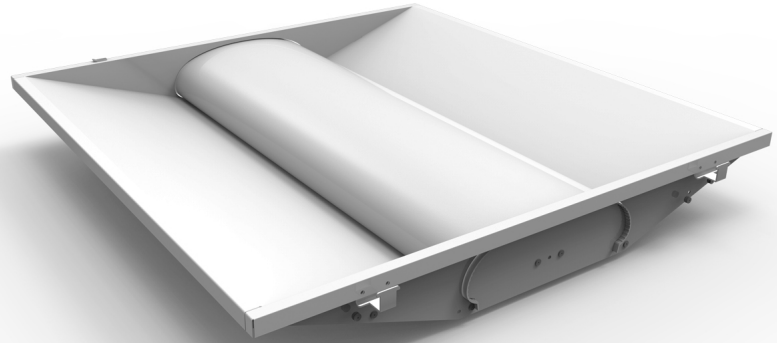


HE TROFFER
High Efficiency Series

RECESSED TROFFER

140 Lumens per watt

Designed to replace recessed fluorescent troffers, Mills LIGHTING troffers adopt state-of-the-art optical and LED lighting technology for use in classroom, workplace, hospital applications. Mills recessed troffers provide light uniformity, eliminating shadows. High efficiency 140 lumens per watt. Cost effective, Easy to install. Excellent heat dissipation. 50,000 hours. UL listed for damp locations. DLC 4.2 Qualified. 0-10v Dimming Technology.



Project Name

Project: _____

Location: _____

Cat. No: _____

Type: _____

Qty: _____

Notes: _____

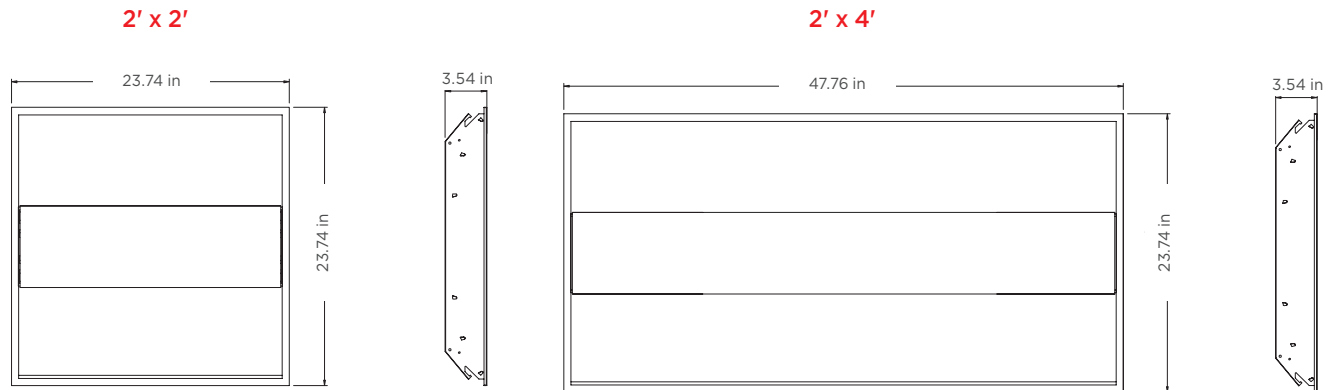
Ordering Guide

EXAMPLE: M-LED-HET-22-30W-UNV-3500K-W-I-D

TYPE	PANEL SIZE	WATTAGE	VOLTAGE	CCT	FRAME COLOR	CRI	DRIVER	DIMMING
M-LED-HET	2'x2' = 22	20 watts* = 20W	120-277 = UNV	3000K=3000K	White=W	82 CRI=82	Internal = I	0-10v = D
	2'x4' = 24	30 watts = 30W		3500K=3500K				
		40 watts = 40W		4000K=4000K				
		50 watts = 50W		4500K=4500K				
			5000K=5000K					

HE Troffer | RECESSED TROFFER

140 Lumens per watt



Specifications

Features

The perfect LED replacement solution for recessed fluorescent troffers.

- » Perfect light uniformity
- » No shadow, no dark area
- » SMD 2835 up to 140lm/W
- » Cost effective, easy to install
- » CRI≥80 PF>0.9 THD<20%
- » High quality PC cover, light transmittance up to 90%, Anti-UV
- » Integrated design, superior cold-roll steel plate, excellent heat dissipation and strength support

LED Wattage and Lumen Values

Watts	Lumens	Lumens per watt
20w	2835	140 l/w
30w	4200	140 l/w
40w	5600	140 l/w
50w	7000	140 l/w



50,000 Hours
Lamp Life



Up To 80%
Direct Energy
Savings



5 Year
Warranty

© 2017 Mills Lighting. All rights reserved.

Mills Lighting reserves the right to make changes in specifications and/or to discontinue any product at any time without notice or obligation and will not be liable for any consequences resulting from the use of this publication.

Mills™ Lighting

Mills Lighting | 655 N Cassady Avenue, Columbus, OH 43219
Tel. 800-690-6403

MillsLED.com