

## Installation and Instruction Manual VAPOR PROOF LED FIXTURE

Vapor proof led lights with the design of steel cage, which makes the light more safer. With IP65, it can be applied to both dry and wet location. Metal wire pipe design use better protective wire rod, junction box, adopt traditional connection way with multi-direction for concatenation wire. The 90-180 adjustable angle enables it to fit for more applications, such as vertical installation and horizontal installation. This light fixture has advantages of wide lighting angles, high efficiency, no flickering, and long lifespan.

### IMPORTANT SAFETY NOTICES:

When using electrical equipment, basic safety precautions should always be followed

**WARNING:** Operating temperature: -30°C to 45°C (-22°F to 113°F).

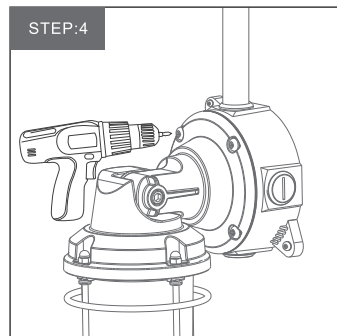
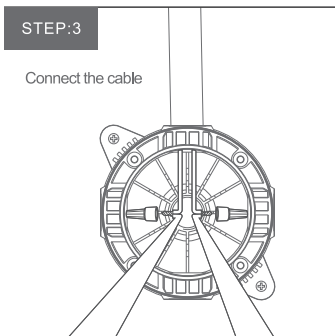
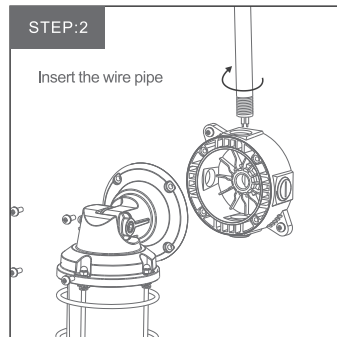
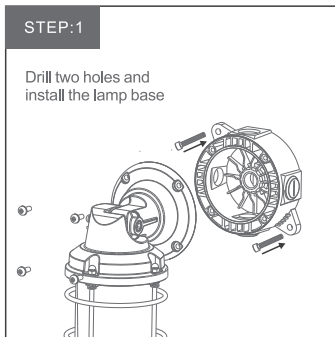
**WARNING:** They are suitable for dry and wet locations.

**WARNING:** This device can not be Intended for use with emergency exits.

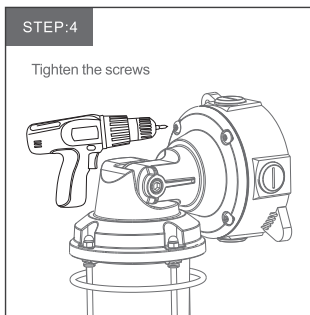
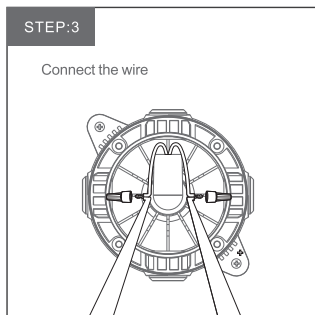
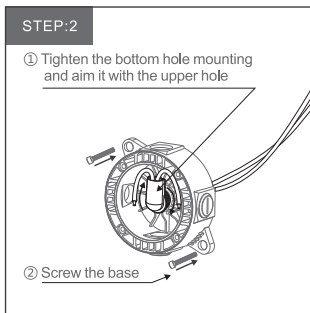
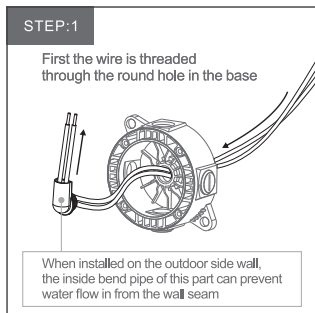
**WARNING:** Turn off the power before installation.

**WARNING:** The electrical rating of this product is 100-277V. Installer must confirm that there is 100-277V at the fixture before installation.

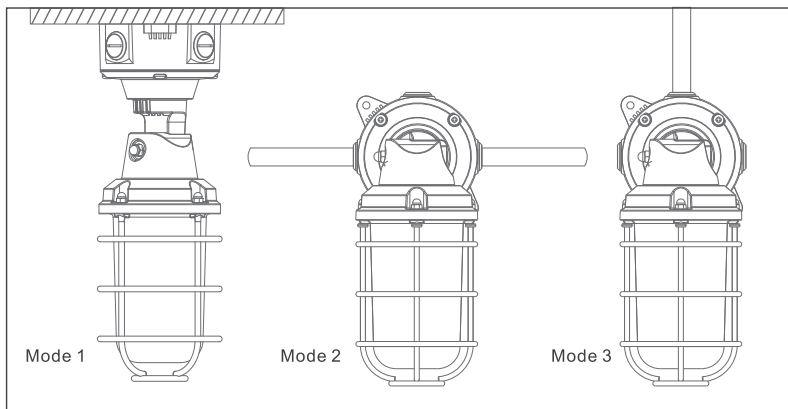
### THE FIRST INSTALL METHOD



## THE SECOND INSTALL METHOD



## DIFFERENT INSTALLATION ORIENTATIONS



## BASIC PARAMETERS:

Watt	Input	Light affect	Lamp Dimension (180°)	Lamp Dimension (90°)	Operating temperature
20W	100-277Vac	110lm/w	113X315mm	165x259mm	-30-45°C