

MEGALUMEN™

WARNING

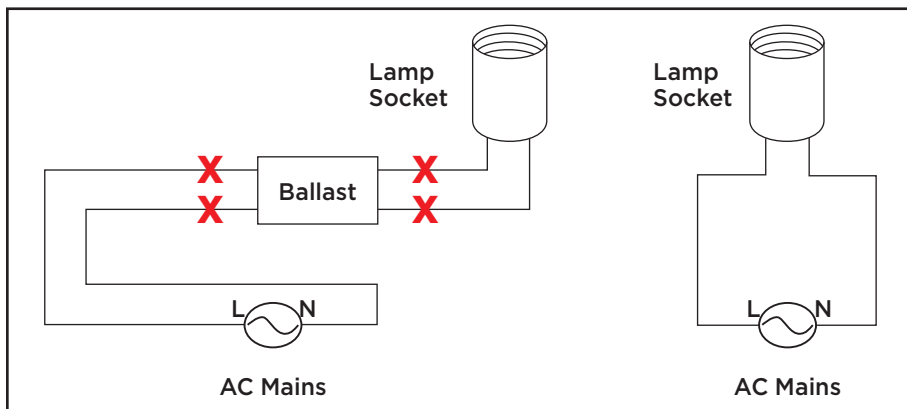
1. **Risk of Fire** — Supply conductors (power wires) connecting the fixture must be rated minimum 90°C. If uncertain, consult an electrician.
2. **Risk of Electric Shock** — Disconnect power at fuse or circuit breaker before installing or servicing.
3. **Risk of Fire/Electric Shock** — If not qualified, consult an electrician.

CAUTIONS

1. For your safety, read and understand instructions completely before installation.
2. These luminaires (fixtures) are designed to meet the latest NEC requirements and are listed in full compliance with UL 1598.
3. Before attempting installation, check your local electrical code, as it sets the wiring standards for your locality.



Fig. 1



INSTALLATION INSTRUCTIONS

1. Ensure breaker is turned off and no power is going to fixture.
2. Unscrew existing bulb and recycle appropriately.
3. Open/access the ballast compartment and disconnect the ballast from the AC Mains and the socket.
4. Connect supply wires to fixture wires and insulate with proper size wire nuts (Fig. 1)
 - a. Connect incoming ground wire (green or bare) to fixture ground wire (green or bare)
 - b. Connect incoming common (white) wire to socket common (white)
 - c. Connect incoming hot (typically black) wire to socket black wire
5. Close ballast compartment or junction box.
6. After installation is complete, turn breaker back on and switch on power.