



ATTENTION:

- Disconnect power before installing fixture.
- Installing, wiring and maintenance must be performed by a licensed electrician or qualified persons and in accordance with the National Electrical Codes and all local codes.
- Always disconnect power before installing or replacing bulbs and before cleaning or other maintenance.
- Do not install this fixture closer than six inches from any combustible material.
- Do not look directly into the LED bulb. As with other high intensity light sources, eye damage may occur.

ASSEMBLY STEPS

1. Disconnect power from all circuits at the electrical panel (circuit breaker) before beginning installation.
2. If the height at which the fixture is to be hung must be adjusted, follow the Adjusting Hanging Height Instructions below. Reference the diagram on opposite page. If the cable must be cut, ensure that the cord is properly stripped to expose the copper conductors.
3. Mount the Crossbar to the ceiling junction box with the included screws.
4. Make appropriate electrical connections using wire nuts. It is good practice to cover the wire nuts with electrical tape to strain relieve and further insulate the connections.
 - a. Connect the live (black) wire to the live wire in the junction box.
 - b. Connect the neutral (white) wire to the neutral wire in the junction box.
 - c. Connect the ground (green) wire to the appropriate grounding point in the junction box or to the supply side ground wire. If no ground is present in the junction box, connect the fixture's ground wire to the green screw (included) on the crossbar. Ensure grounding meets all local and national codes.
 - d. Carefully position the wires in the ceiling junction box
5. Position the Canopy flush to the ceiling with the Threaded Studs protruding 1/4" through the holes in the Canopy. Install the Finial Nuts. The Canopy should be snug to the ceiling.
6. Restore power to the fixture by reenergizing the circuit breaker.

ADJUSTING HANGING HEIGHT

If the height at which the light hangs must be adjusted, make the following modifications before connecting the fixture to power.

1. Remove the Cable Adjustment Retainer screws and move the Cable Adjustment Retainer out of the way.
2. Loosen the height adjustment set screw.
3. Adjust the height and tighten the set screw.
4. Reinstall the Cable Adjustment Retainer and retainer screws.

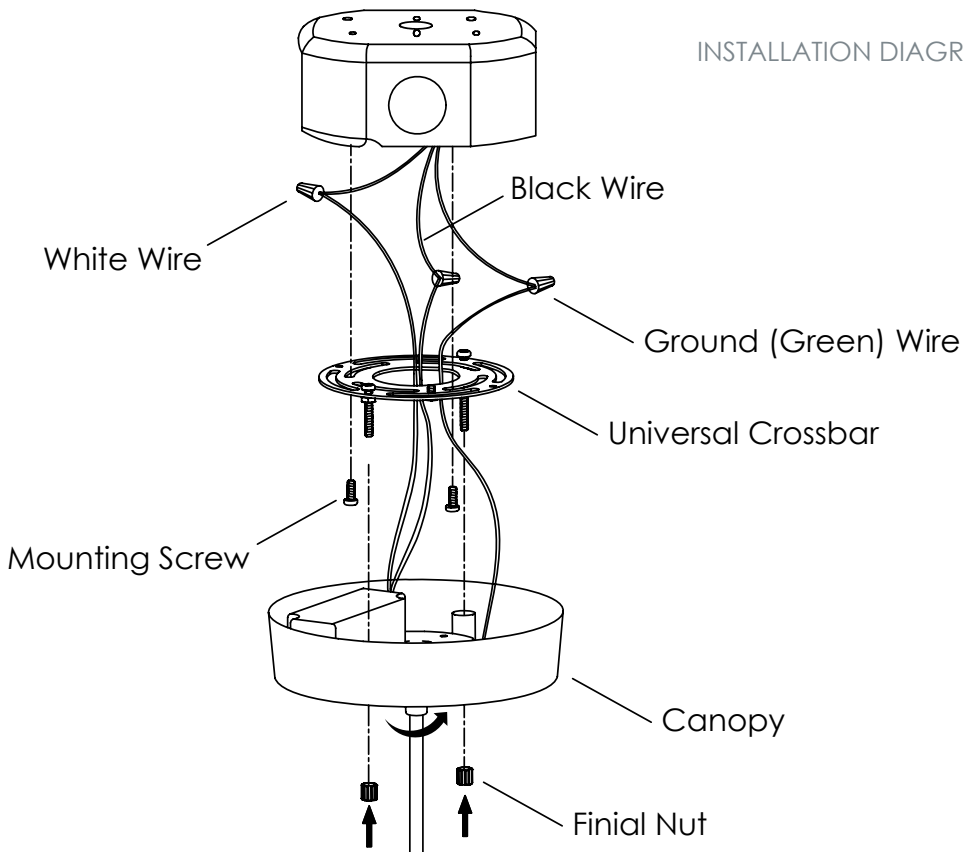
OPERATING INSTRUCTIONS:

- The fixture may be used with 120V Triac Dimming switches.

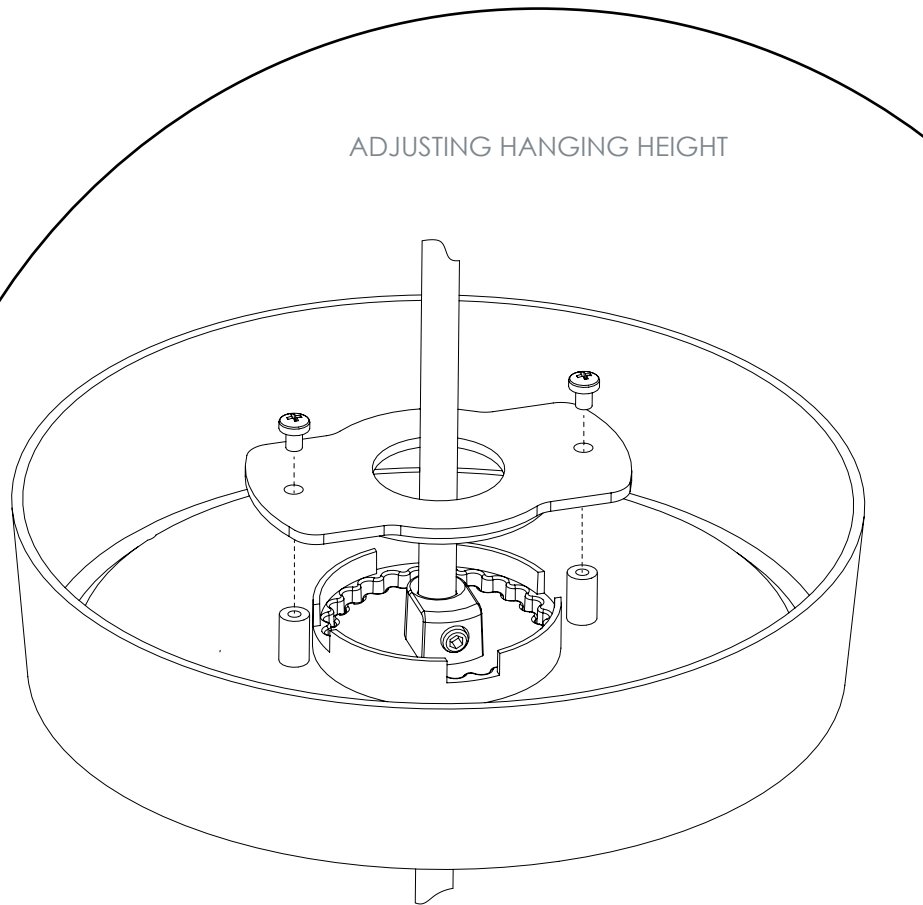
CLEANING INSTRUCTIONS:

- Dust with a clean, dry cloth only.
- To protect the finish of the fixture, avoid using any abrasive cleaners.

INSTALLATION DIAGRAM



ADJUSTING HANGING HEIGHT





Visit us at:
www.luxledlights.com
REV100