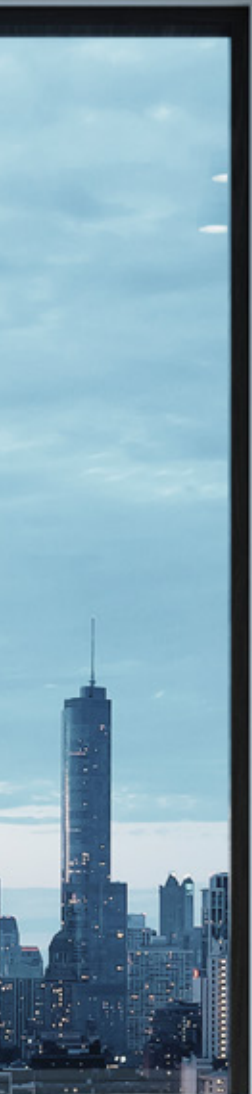


# COLLECTION 2023

---

Innovation from the coast of California



# CONTENTS

## TASK & DESK LAMPS

- 5 BROOKLYN AC
- 7 BROOKLYN AURA
- 9 BROOKLYN USB
- 11 BROOKLYN AC VACANCY SENSOR
- 15 BROOKLYN AURA DESK
- 17 BROOKLYN AC DESK
- 19 BROOKLYN USB DESK
- 23 TORONTO TASK
- 25 TORONTO GROMMET
- 27 HIGHLINE TASK

## PENDANT, WALL & CEILING LIGHTS

- 31 BROOKLYN WALL PENDANT
- 37 HIGHLINE SINGLE PENDANT
- 39 HIGHLINE TRIPLE PENDANT
- 41 DROPLET PENDANT
- 45 LA BREA PENDANT
- 51 BROOKLYN SCONCE
- 53 HIGHLINE CEILING

# BROOKLYN LED TASK LIGHT



[View All Task & Desk Lamps](#)



## BROOKLYN LED TASK LIGHT

Three brightness settings  
Two USB ports for device charging  
Integrated LED light panel

Optional built-in wireless Qi™-certified phone charging pad  
Optional universal AC sockets  
Optional universal AC sockets with vacancy sensor



# BROOKLYN AC LED TASK LIGHT



The Brooklyn AC LED task light joins understated modern design and seamless functionality to create a utilitarian and elegant desk light, with two universal AC sockets that work with US, UK, EU, and other international adapters, plus two USB ports, (1 USB-A, and 1 USB-C, accommodating for newer handsets as well).

Innovative LED Light panel technology casts energy-efficient, warm, white light without any hot spots. The lamp also comes with an integrated device mount, three touch-activated brightness settings, and a base that has an optional residue-free adhesive for stabilization, or you can purchase an additional triangular aluminum base plate with low-profile felt pads.

# BROOKLYN AC

## LED SPECIFICATIONS

- LUMENS | 600 - 250 - 20
- COLOR TEMP | 3000K
- WATTAGE | 13W
- CRI | 85+
- EFFICIENCY | 45 lm/W

## TECHNICAL SPECIFICATIONS

- SWITCH | Touch Activation
- RATING | UL Listed
- MATERIALS | Aluminum,  
Polycarbonate Alloy
- U.S. PATENT | USD769,512S

## MEASUREMENTS

- WEIGHT | 3.25 lbs.
- PRODUCT DIMENSIONS | 17.3" h x 17.1" w
- CASE PACK (4 pcs) DIMENSIONS | 21" h x 20" w x 13" d

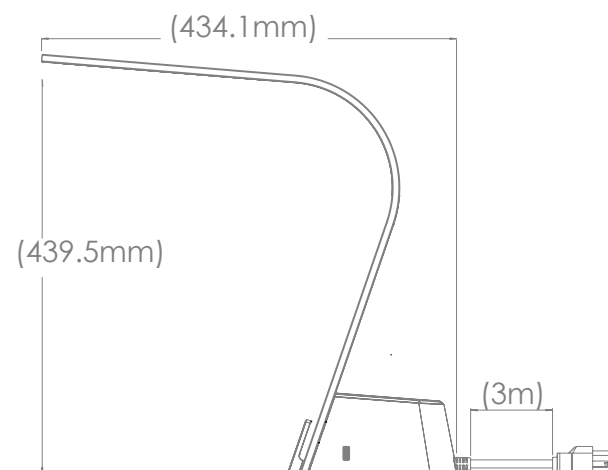
## FEATURES

- AC SOCKETS | 2
- USB PORTS | 1 USB-A, 1 USB-C (3Amps)
- INPUT VOLTAGE | 100 - 240

## FINISHES

77830 BRUSHED ALUMINUM

77831 BLACK SLATE



# BROOKLYN AURA LED TASK LIGHT



The Brooklyn AURA LED task light joins understated modern design and seamless functionality to create a utilitarian and elegant desk light, featuring a built-in Qi-certified 15W wireless Fast-Charging pad, and two USB ports, (1 USB-A, and 1 USB-C, accommodating for newer handsets as well), making the AURA an efficient option when desk space is limited.

Innovative LED Light panel technology casts energy-efficient, warm, white light. The lamp also comes with an integrated device mount, three touch-activated brightness settings, and a base that has an optional residue-free adhesive for stabilization, or you can purchase an additional triangular aluminum base plate with low-profile felt pads.

# BROOKLYN AURA LED TASK LIGHT

## LED SPECIFICATIONS

- LUMENS | 600 - 250 - 20
- COLOR TEMP | 3000K
- WATTAGE | 12W
- CRI | 85+
- EFFICIENCY | 50 lm/W

## TECHNICAL SPECIFICATIONS

- SWITCH | Touch Activation
- RATING | UL Listed
- MATERIALS | Aluminum,  
Polycarbonate Alloy
- U.S. PATENT | D787,735

## MEASUREMENTS

- WEIGHT | 2.1 lbs.
- PRODUCT DIMENSIONS | 17.3"h x 14.8"w
- CASE PACK (4 pcs) DIMENSIONS | 20"h x 18"w x 14"d

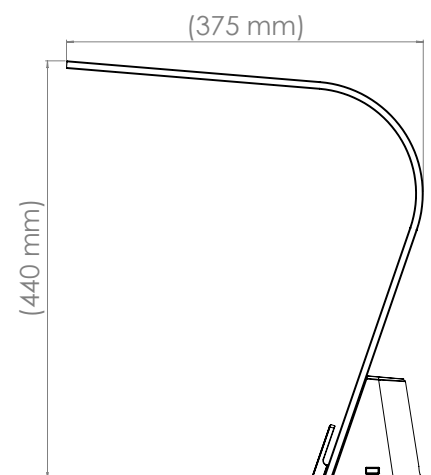
## FEATURES

- WIRELESS CHARGING | Yes
- USB PORTS | 1 USB-A, 1 USB-C (3Amps)
- INPUT VOLTAGE | 100 - 240

## FINISHES

77020 BRUSHED ALUMINUM

77021 BLACK SLATE





# BROOKLYN USB LED TASK LIGHT



The Brooklyn USB LED task light joins understated modern design and seamless functionality to create a utilitarian and elegant desk light, featuring two USB ports, (1 USB-A, and 1 USB-C, accommodating for newer handsets as well), making it an efficient option when desk space is limited.

Innovative LED Light panel technology casts energy-efficient, warm, white light. The lamp also comes with an integrated device mount, three touch-activated brightness settings, and a base that has an optional residue-free adhesive for stabilization, or you can purchase an additional triangular aluminum base plate with low-profile felt pads.

# BROOKLYN USB

## LED SPECIFICATIONS

- LUMENS | 600 - 250 - 20
- COLOR TEMP | 3000K
- WATTAGE | 12W
- CRI | 85+
- EFFICIENCY | 50 lm/W

## TECHNICAL SPECIFICATIONS

- SWITCH | Touch Activation
- RATING | UL Listed
- MATERIALS | Aluminum,  
Polycarbonate Alloy
- U.S. PATENT | D787,735

## MEASUREMENTS

- WEIGHT | 2.31 lbs.
- PRODUCT DIMENSIONS | 17.3"h x 14.8"w
- CASE PACK (4 pcs) DIMENSIONS | 20"h x 18"w x 14"d

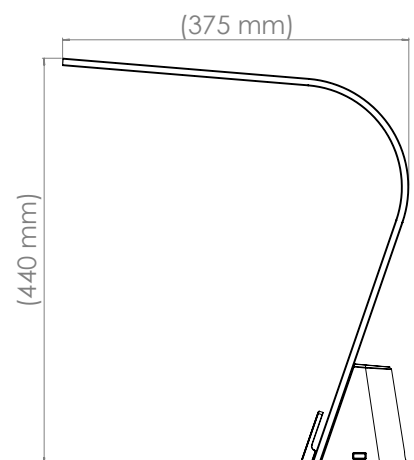
## FEATURES

- USB PORTS | 1 USB-A, 1 USB-C (3Amps)
- INPUT VOLTAGE | 100 - 240

## FINISHES

77010 BRUSHED ALUMINUM

77011 BLACK SLATE





## BROOKLYN AC LED TASK LIGHT with VACANCY SENSOR

The Brooklyn AC LED task light with Vacancy Sensor joins understated modern design and seamless functionality to create an energy-efficient and elegant desk light, two universal AC sockets that work with US, UK, EU, and other international adapters, plus two USB ports.

Innovative LED Light panel technology casts warm, white light, which the infrared Vacancy Sensor automatically turns off after 15 minutes of vacancy. Manual reactivation is required, preventing unwanted and distracting activation, making this fixture perfect for coworking spaces and open floor plans.

**SPECIAL ORDER ITEM, MOQ 500 pcs.**

# BROOKLYN AC with VACANCY SENSOR

## LED SPECIFICATIONS

- LUMENS | 600 - 250 - 20
- COLOR TEMP | 3000K
- WATTAGE | 13W
- CRI | 85+
- EFFICIENCY | 45 lm/W

## TECHNICAL SPECIFICATIONS

- SWITCH | Touch Activation
- RATING | UL Listed
- MATERIALS | Aluminum,  
Polycarbonate Alloy
- U.S. PATENT | USD769,512S

## MEASUREMENTS

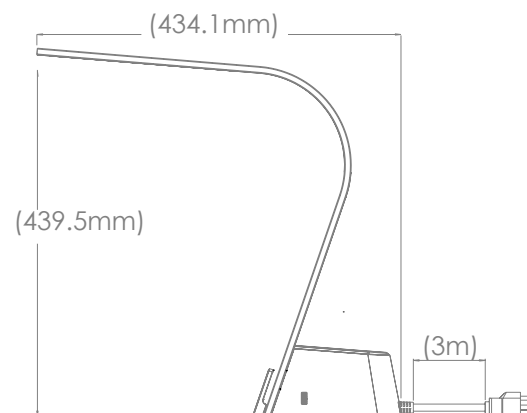
- WEIGHT | 3.25 lbs.
- PRODUCT DIMENSIONS | 17.3"h x 17.1"w
- CASE PACK (4 pcs) DIMENSIONS | 21"h x 20"w x 13"d

## FEATURES

- VACANCY SENSOR | Yes
- AC SOCKETS | 2
- USB PORTS | 2 (3A total)
- INPUT VOLTAGE | 100 - 240

## FINISHES

77810 BRUSHED ALUMINUM





# BROOKLYN LED DESK LIGHT





## BROOKLYN LED DESK LIGHT

Three brightness settings  
Two USB-C ports for device charging  
Integrated LED light panel  
Fine linen shade

Optional international AC sockets



## BROOKLYN AURA LED DESK LIGHT

The Brooklyn AURA LED desk light joins understated modern design and seamless functionality to create a utilitarian and elegant desk light, featuring a built-in Qi-certified 15W wireless Fast-Charging pad, and two USB ports, (1 USB-A, and 1 USB-C, accommodating for newer handsets as well), making the AURA a power-packed option with minimal footprint.

The fine linen shade offers a sleek and elegant finish to compliment the lines of the aluminum extrusion. The lamp also features a hidden threaded mount for additional stability and security.



# BROOKLYN AURA LED DESK LIGHT

## LED SPECIFICATIONS

- LUMENS | 1100 - 475 - 100
- COLOR TEMP | 3000K
- WATTAGE | 13W
- CRI | 80+
- EFFICIENCY | 85 lm/W



## TECHNICAL SPECIFICATIONS

- SWITCH | Touch Activation
- RATING | UL Listed
- MATERIALS | Aluminum,  
Polycarbonate Alloy

## MEASUREMENTS

- WEIGHT | 2.25 lbs.
- PRODUCT DIMENSIONS | 21.5"h x 11.2"w
- CASE PACK (4 pcs) DIMENSIONS | 25"h x 16"w x 14"d  
(extrusions)
- CASE PACK (4 pcs) DIMENSIONS | 24"h x 24"w x 10"d  
(linen shades)



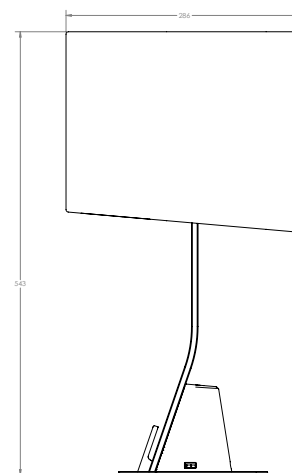
## FEATURES

- USB PORTS | 1 USB-A, 1 USB-C (3 Amps)
- INPUT VOLTAGE | 100 - 240

## FINISHES

77150 BRUSHED ALUMINUM

77151 BLACK SLATE







## BROOKLYN AC LED DESK LIGHT

The Brooklyn Desk pairs the understated modern curves of the Brooklyn line with the functionality of two universal AC sockets (compatible with US, UK, EU, and other international plugs), and two USB ports, (1 USB-A, and 1 USB-C, accommodating for newer handsets as well), making it an efficient option when desk space is limited.

The fine linen shade offers a sleek and elegant finish to compliment the lines of the aluminum extrusion. The lamp also features a hidden threaded mount for additional stability and security.

# BROOKLYN AC LED DESK LIGHT

## LED SPECIFICATIONS

- LUMENS | 1100 - 475 - 100
- COLOR TEMP | 3000K
- WATTAGE | 13W
- CRI | 80+
- EFFICIENCY | 85 lm/W



## TECHNICAL SPECIFICATIONS

- SWITCH | Touch Activation
- RATING | UL Listed
- MATERIALS | Aluminum,  
Polycarbonate Alloy

## MEASUREMENTS

- WEIGHT | 6.25 lbs.
- PRODUCT DIMENSIONS | 21.5" h x 11.3" w
- CASE PACK (4 pcs) DIMENSIONS | 25" h x 16" w x 14" d  
(extrusions)
- CASE PACK (4 pcs) DIMENSIONS | 24" h x 24" w x 10" d  
(linen shades)

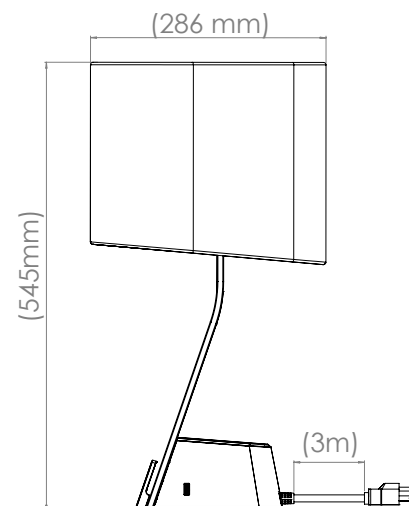
## FEATURES

- AC SOCKETS | 2
- USB PORTS | 2 (3A total)
- INPUT VOLTAGE | 100 - 240

## FINISHES

77130 BRUSHED ALUMINUM

77131 BLACK SLATE



# BROOKLYN USB LED DESK LIGHT



The Brooklyn Desk pairs the understated modern curves of the Brooklyn line with the functionality of two USB ports, (1 USB-A, and 1 USB-C, accommodating for newer handsets as well), making it an efficient option when desk space is limited.

The fine linen shade offers a sleek and elegant finish to compliment the lines of the aluminum extrusion. The lamp also features a hidden threaded mount for additional stability and security.

# BROOKLYN USB LED DESK LIGHT

## LED SPECIFICATIONS

- LUMENS | 1100 - 475 - 100
- COLOR TEMP | 3000K
- WATTAGE | 13W
- CRI | 80+
- EFFICIENCY | 85 lm/W

## TECHNICAL SPECIFICATIONS

- SWITCH | Touch Activation
- RATING | UL Listed
- MATERIALS | Aluminum,  
Polycarbonate Alloy

## MEASUREMENTS

- WEIGHT | 2.25 lbs.
- PRODUCT DIMENSIONS | 21.5"h x 11.2"w
- CASE PACK (4 pcs) DIMENSIONS | 25"h x 16"w x 14"d  
(extrusions)
- CASE PACK (4 pcs) DIMENSIONS | 24"h x 24"w x 10"d  
(linen shades)

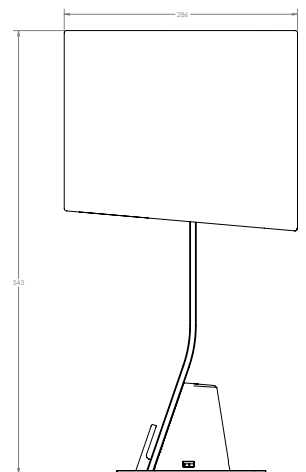
## FEATURES

- USB PORTS | 1 USB-A, 1 USB-C (3 Amps)
- INPUT VOLTAGE | 100 - 240

## FINISHES

77140 BRUSHED ALUMINUM

77141 BLACK SLATE





# TORONTO LED TASK LIGHT



[View All Task & Desk Lamps](#)



## TORONTO LED TASK LIGHT

- Three brightness settings
- Two USB ports
- Touch activated
- Flexible 360° movement
- Soft-touch silicone overmold

Available with freestanding base or mounted grommet

# TORONTO LED TASK LIGHT



The Toronto LED Task Lamp features 360° flexibility, a sleek unobstructive design, and two USB charging ports in the base. The flexible neck is coated in soft-touch silicone overmold and can be adjusted in all directions.

The Toronto Task has three touch activated brightness settings which casts bright, warm light at 3000K up to 450 lumens.

**Special Order Item, MOQ 500 Pcs.**

# TORONTO TASK

## LED SPECIFICATIONS

- LUMENS | 450 - 200 - 75
- COLOR TEMP | 3000K
- WATTAGE | 7W
- CRI | 82+
- EFFICIENCY | 65 lm/W

## TECHNICAL SPECIFICATIONS

- SWITCH | Touch Activation
- RATING | UL Listed
- MATERIALS | Aluminum, Silicone, Polycarbonate Alloy

## MEASUREMENTS

- WEIGHT | 4.17 lbs.
- PRODUCT DIMENSIONS | 16.1" h x 14" w
- CASE PACK (4 pcs) DIMENSIONS | 17" h x 12" w x 11" d

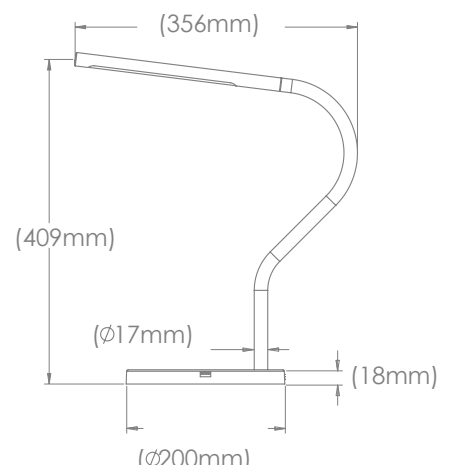
## FEATURES

- 360° FLEXIBILITY | Yes
- USB PORTS | 2 (3A total)
- INPUT VOLTAGE | 100 - 240

## FINISHES

79017 WHITE

79010 BLACK







# TORONTO GROMMET LED TASK LIGHT

The Toronto LED Grommet Task Lamp features 360° flexibility, a sleek unobstructive design, and two USB charging ports in the grommet base. The flexible neck is coated in soft-touch silicone overmold and can be adjusted in all directions.

The Toronto Task has three touch activated brightness settings which casts bright, warm light at 3000K up to 450 lumens. The Grommet is designed to fit on desks up to 50mm thick.

**Special Order Item, MOQ 500 Pcs.**

# TORONTO GROMMET

## LED SPECIFICATIONS

- LUMENS | 450 - 200 - 75
- COLOR TEMP | 3000K
- WATTAGE | 7W
- CRI | 82+
- EFFICIENCY | 65 lm/W

## TECHNICAL SPECIFICATIONS

- SWITCH | Touch Activation
- RATING | UL Listed
- MATERIALS | Aluminum, Silicone,  
Polycarbonate Alloy

## MEASUREMENTS

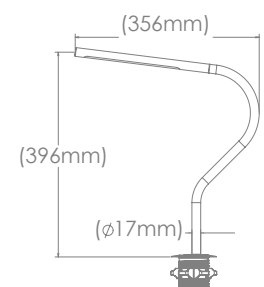
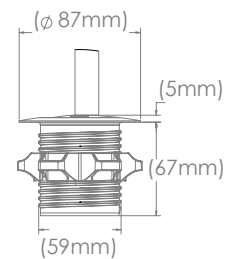
- WEIGHT | 1.25 lbs.
- PRODUCT DIMENSIONS | 15.6" h x 14" w
- CASE PACK (4 pcs) DIMENSIONS | 18" h x 18" w x 11" d

## FEATURES

- 360° FLEXIBILITY | Yes
- USB PORTS | 2 (3A total)
- INPUT VOLTAGE | 100 - 240

## FINISH

79027 WHITE



# HIGHLINE LED DESK LIGHT



[View All Task & Desk Lamps](#)





# HIGHLINE LED DESK LIGHT

Upward and downward illumination

Three brightness settings

Two USB ports

Touch activated



# HIGHLINE LED DESK LIGHT



The Highline LED Desk Lamp features both upward-facing and downward-facing illumination, ideal for desks in darker rooms where ambient lighting may be required.

The lamp features two USB charging ports, suitable for charging high capacity mobile phones and tablets, as well as touch-sensitive activation with 3 lighting levels. At full power, the Highline LED Desk Lamp casts 600 lumens to the desk surface, and splashes 400 lumens of ambient light upwards.

# HIGHLINE DESK

## LED SPECIFICATIONS

- LUMENS | max. 600 (upward), 400 (downward)
- COLOR TEMP | 3000K
- WATTAGE | 14.3W
- CRI | 85+
- EFFICIENCY | 70 lm/W

## TECHNICAL SPECIFICATIONS

- SWITCH | Touch Activation
- RATING | UL Listed
- MATERIALS | Aluminum, Polycarbonate Alloy
- U.S. PATENT | Patent Pending

## MEASUREMENTS

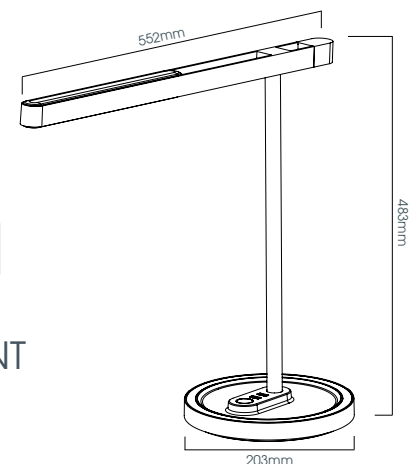
- WEIGHT | 4.06 lbs.
- PRODUCT DIMENSIONS | 19" h x 21.75" w
- CASE PACK (4 pcs) DIMENSIONS | 30" h x 26" w x 10" d

## FEATURES

- USB PORTS | 2 (2.1A each)
- INPUT VOLTAGE | 100 - 240

## ACCENTS

<b>78202</b>	<b>78203</b>	<b>78204</b>	<b>78241</b>	<b>78242</b>
BLACK CHROME	COPPPER	BRASS	ORANGE ACCENT	GREY ACCENT





# BROOKLYN WALL PENDANT

[View All Wall, Pendant, & Ceiling Lights](#)



## BROOKLYN WALL PENDANT

- Two brightness settings
- ADA-compliant power switch
- Fine linen shade
- Easy installation (no hard wiring)
- Use your own bulbs





## BROOKLYN WALL PENDANT

The Brooklyn LED Wall Pendant Light features the understated modern curves of the Brooklyn line and a convenient and easy to install wall mounted aluminum extrusion. The light features mounting holes on the back of the extrusion for mounting on 2 screws (included), making installation quick and easy. No hard wiring is required, as the light comes with an integrated power cord.

The fine linen shade offers a sleek and elegant finish to compliment the lines of the aluminum extrusion. Please note, due to shipping constraints, this fixture must be ordered in multiples of two,

# BROOKLYN WALL PENDANT

## LED SPECIFICATIONS

- LUMENS | Bulb Dependent
- COLOR TEMP | Bulb Dependent
- WATTAGE | Bulb Dependent
- CRI | Bulb Dependent
- EFFICIENCY | Bulb Dependent

## TECHNICAL SPECIFICATIONS

- SWITCH | ADA-Compliant Switch
- RATING | UL Listed
- MATERIALS | Aluminum, Polycarbonate Alloy, Linen
- U.S. PATENT | D835,331

## MEASUREMENTS

- WEIGHT | 8.25 lbs.
- PRODUCT DIMENSIONS | 65.4" h x 16" w
- CASE PACK (2 pcs) DIMENSIONS | 69" h x 21" w x 5" d  
(extrusions)
- CASE PACK (2 pcs) DIMENSIONS | 24" h x 17" w x 17" d  
(linen shades)

## FEATURE

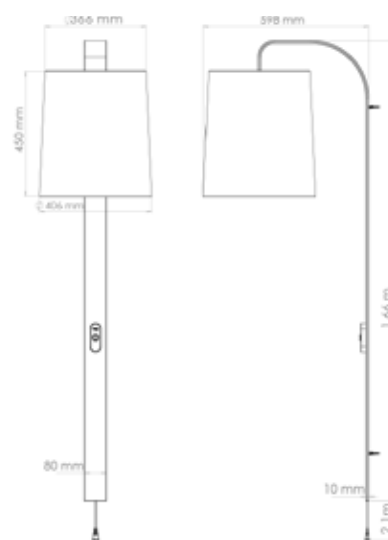
- INPUT VOLTAGE | 100 - 240

## FINISHES

77741 TWINKLE

77730 BRUSHED ALUMINUM

77731 BLACK SLATE



# HIGHLINE LED PENDANT

The image features three identical rectangular LED pendant lights hanging from a ceiling. Each light fixture is a dark, textured rectangular bar with a glowing white LED strip on its front face. They are suspended by thin black cords. The background is a kitchen with white cabinetry, a brick backsplash, and a stainless steel kettle on the counter. The overall lighting is soft and modern.

[View All Wall, Pendant, & Ceiling Lights](#)



## HIGHLINE LED PENDANT

Illumination from both sides of the LED frame

Adjustable cable lengths

Matte black with choice of accent

Available as a single or triple pendant



# HIGHLINE LED SINGLE PENDANT



The LUX Highline LED Single Pendant is suspended vertically with adjustable cable length (up to 4 feet) and emits even lighting out of both sides of the metal extrusion. The Highline LED Pendant boasts up to 600 lumens of 3000K illumination per each individual pendant. The fixture is dimmable using electronic low-voltage (ELV) dimmers.

# HIGHLINE SINGLE PENDANT

## LED SPECIFICATIONS

- LUMENS | max. 600
- COLOR TEMP | 3000K
- WATTAGE | 13.3W
- CRI | 85+
- EFFICIENCY | 45 lm/W

## TECHNICAL SPECIFICATIONS

- SWITCH | Wall Switch
- RATING | UL Listed
- MATERIALS | Aluminum, Textile
- U.S. PATENT | Patent Pending

## MEASUREMENTS

- WEIGHT | 1.65 lbs.
- PRODUCT DIMENSIONS | 52.5"h x 6.1"w (fixture)  
13"h x 1.25"w (pendant)
- CASE PACK (4 pcs) DIMENSIONS | 16"h x 16"w x 11"d

## FEATURE

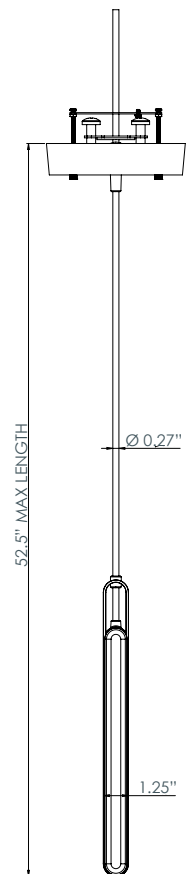
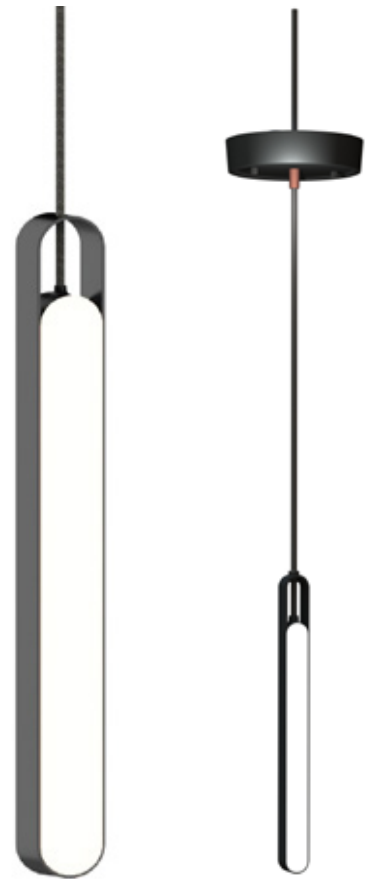
- DIMMABLE | with ELV dimmers
- INPUT VOLTAGE | 100 - 240

## FINISHES

**78212**  
BLACK  
CHROME

**78213**  
COPPER

**78214**  
BRASS





## HIGHLINE LED TRIPLE PENDANT

The LUX Highline LED Triple Pendant is suspended vertically with adjustable cable length (up to 4 feet) and emits even lighting out of both sides of the metal extrusion. The Highline LED Triple Pendant boasts 600 lumens of 3000K illumination per each individual pendant, for a total of 1800 lumens. The fixture is dimmable using electronic low-voltage (ELV) dimmers.



# HIGHLINE TRIPLE PENDANT

## LED SPECIFICATIONS

- LUMENS | max. 1800
- COLOR TEMP | 3000K
- WATTAGE | 36W
- CRI | 85+
- EFFICIENCY | 50 lm/W

## TECHNICAL SPECIFICATIONS

- SWITCH | Wall Switch
- RATING | UL Listed
- MATERIALS | Aluminum, Textile
- U.S. PATENT | Patent Pending

## MEASUREMENTS

- WEIGHT | 5.29 lbs.
- PRODUCT DIMENSIONS | 39.8"h x 21.3"w (fixture)  
13"h x 1.25"w (pendant)
- CASE PACK (4 pcs) DIMENSIONS | 24"h x 16"w x 13"d

## FEATURE

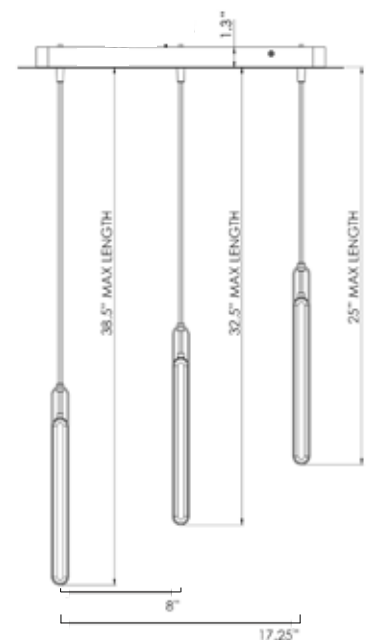
- DIMMABLE | with ELV dimmers
- INPUT VOLTAGE | 100 - 240

## FINISHES

**78222**  
BLACK  
CHROME

**78223**  
COPPER

**78224**  
BRASS





# DROPLET PENDANT



[View All Wall, Pendant, & Ceiling Lights](#)



## DROPLET PENDANT

Designed around a vintage-inspired E26 bulb  
Copper, satin black, or polished chrome finish



## DROPLET PENDANT

The LUX Droplet LED Pendant Light was designed around a specific vintage Edison-style LED bulb. The elegantly seamless transition from fixture to bulb gives the LUX Droplet a unique and polished appearance from all angles. The fixture can be used with any E26 style bulb, though is specifically designed to incorporate the LUX LED bulb pictured.



# DROPLET PENDANT

## LED SPECIFICATIONS

- LUMENS | 650 with included LED bulb
- COLOR TEMP | 2200K with included LED bulb
- WATTAGE | 6.5W
- CRI | 80+ with included LED bulb
- EFFICIENCY | 100 lm/W

## TECHNICAL SPECIFICATIONS

- SWITCH | Wall Switch
- RATING | UL Listed
- MATERIALS | Aluminum
- U.S. PATENT | USD862773S1

## MEASUREMENTS

- WEIGHT | 12 oz.
- PRODUCT DIMENSIONS | 6.62"h x 8"w
- CASE PACK (4 pcs) DIMENSIONS | 29"h x 25"w x 12"d

## FEATURE

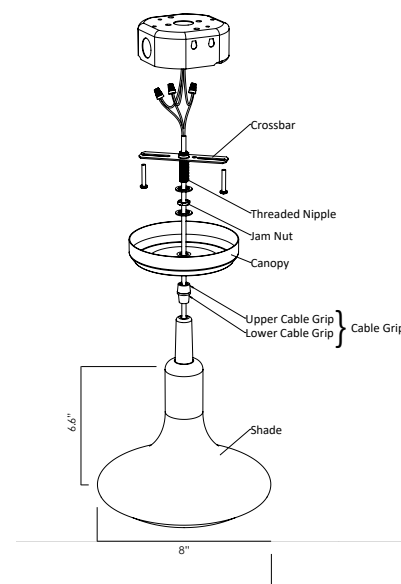
- DIMMABLE | with ELV dimmers
- INPUT VOLTAGE | 100 - 240

## FINISHES

**76500**  
COPPER

**76502**  
SATIN  
BLACK

**76507**  
POLISHED  
CHROME

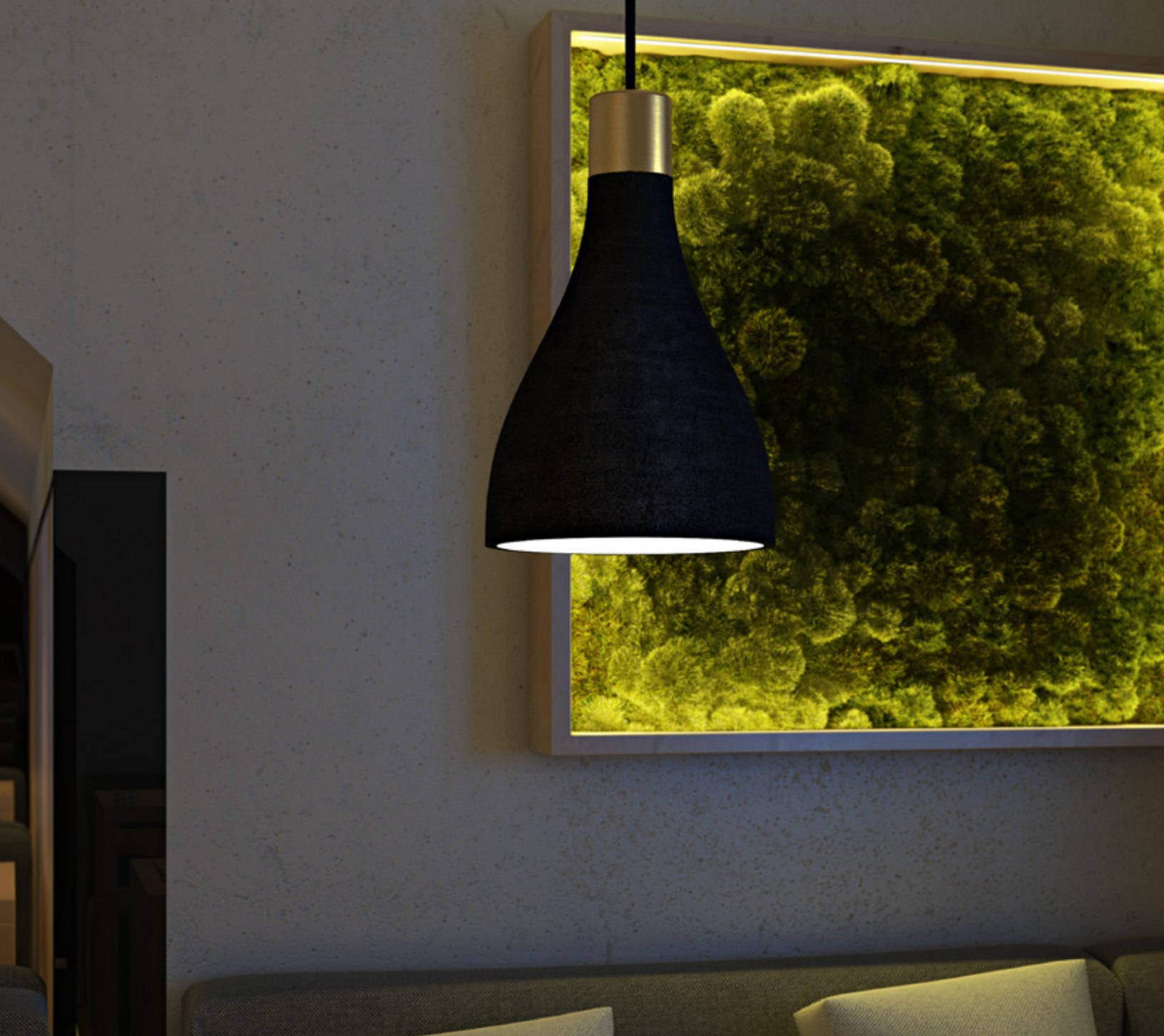




# LA BREA PENDANT



[View All Wall, Pendant, & Ceiling Lights](#)



# LA BREA PENDANT

Cast concrete in charcoal finish

Brass accent cap

Use your own bulb





## LA BREA PENDANT

The LUX La Brea LED Pendant Light is constructed from cast concrete with a brass cap. The striking charcoal finish is accented by a stark white inner reflective surface. The fixture can be used with any E26 style bulb.

# LA BREA PENDANT

## LED SPECIFICATIONS

- LUMENS | Bulb Dependent
- COLOR TEMP | Bulb Dependent
- WATTAGE | Bulb Dependent
- CRI | Bulb Dependent
- EFFICIENCY | Bulb Dependent

## TECHNICAL SPECIFICATIONS

- SWITCH | Wall Switch
- RATING | UL Listed
- MATERIALS | Concrete, Brass

## MEASUREMENTS

- WEIGHT | 3.2 lbs.
- PRODUCT DIMENSIONS | 10.25"h x 6.62"w
- CASE PACK (4 pcs) DIMENSIONS | 19"h x 17"w x 14"d

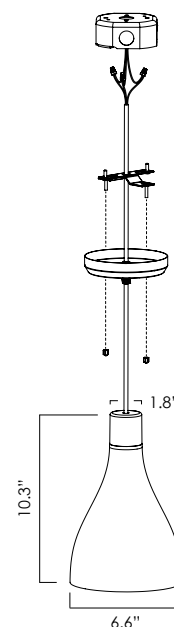
## FEATURE

- DIMMABLE | with ELV dimmers
- INPUT VOLTAGE | 100 - 240

## FINISHES

76602

BRASS





# BROOKLYN LED SCONCE



[View All Wall, Pendant, & Ceiling Lights](#)





## BROOKLYN LED SCONCE

Continuously dimmable, warm bright light  
Elegantly crafted from a single piece of aluminum  
Light is distributed evenly from top and bottom

Hard-wired and plug-in versions available





## BROOKLYN LED SCONCE

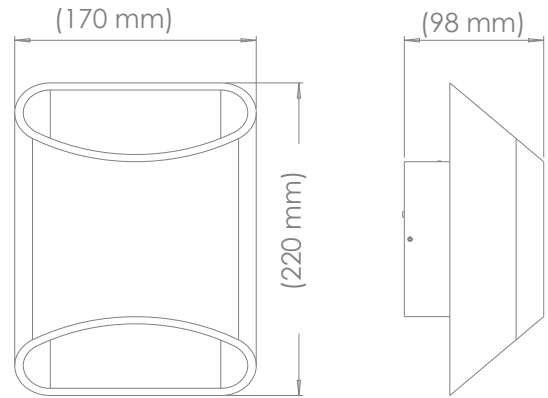
The Brooklyn LED Wall Sconce continues the understated modern design of the Brooklyn floor and desk lamps, with its elegant symmetrical finish crafted from a single piece of aircraft-grade aluminum.

The dimmable, low-profile sconce casts 600 lumens of bright warm light evenly from the top and bottom. Touch-activated version available for headboards and other applications.

# BROOKLYN SCONCE

## LED SPECIFICATIONS

- LUMENS | 600 (dimnable)
- COLOR TEMP | 3000K
- WATTAGE | 10W
- CRI | 93+
- EFFICIENCY | 60 lm/W



## TECHNICAL SPECIFICATIONS

- SWITCH | Touch Activated or Wall Switch
- RATING | UL Listed
- MATERIALS | Aluminum
- U.S. PATENT | USD819254S1

## MEASUREMENTS

- WEIGHT | 2.83 lbs.
- PRODUCT DIMENSIONS | 65.4" h x 16" w
- PRODUCT DIMENSIONS | 8.66" h x 6.69" w
- CASE PACK (4 pcs) DIMENSIONS | 21" h x 13" w x 12" d

## FEATURE

- INPUT VOLTAGE | 100 - 240

## FINISHES

- |       |                          |       |                     |
|-------|--------------------------|-------|---------------------|
| 77600 | BRUSHED ALUMINUM         | 77601 | BLACK SLATE         |
| 77602 | BRUSHED ALUMINUM (TOUCH) | 77603 | BLACK SLATE (TOUCH) |





# HIGHLINE LED CEILING LIGHT



[View All Wall, Pendant, & Ceiling Lights](#)



# HIGHLINE LED CEILING LIGHT

Upward and downward illumination  
Adjustable cable length  
Matte black with choice of accent



## HIGHLINE LED CEILING LIGHT

The LUX Highline LED Ceiling Light is a minimalist ceiling mounted LED fixture with four light heads joining at a central copper locus. The light features downward facing and upward facing light panels to cast bright warm light onto the floor and ceiling.

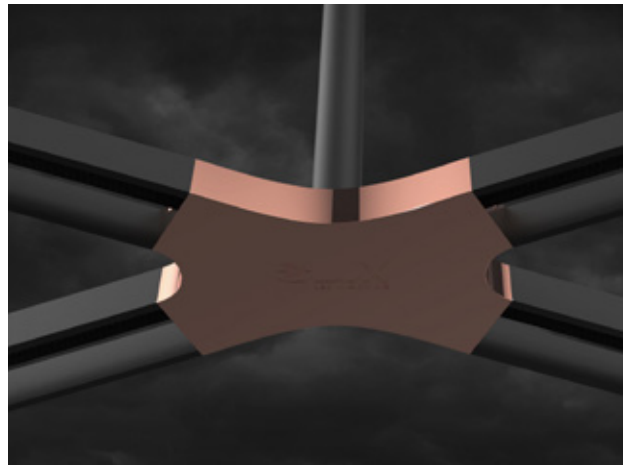
The “X” shaped fixture has subtle polished copper accents and matte black aluminum extrusion arms. Extension poles allow the fixture to be suspended at three lengths: 21-in., 9-in., and 3-in.



# HIGHLINE CEILING

## LED SPECIFICATIONS

- LUMENS | max. 3200
- COLOR TEMP | 3000K
- WATTAGE | 64W
- CRI | 85+
- EFFICIENCY | 50 lm/W

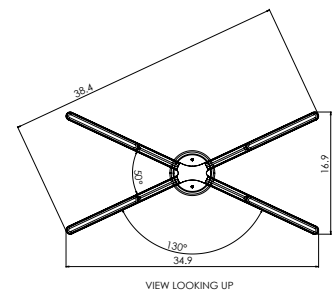
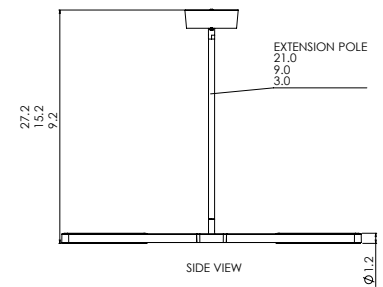


## TECHNICAL SPECIFICATIONS

- SWITCH | Wall Switch
- RATING | UL Listed
- MATERIALS | Aluminum, Textile
- U.S. PATENT | Patent Pending

## MEASUREMENTS

- WEIGHT | 6.55 lbs.
- PRODUCT DIMENSIONS | 34.9"w x 16.9"d
- CASE PACK (2 pcs) DIMENSIONS | 39"h x 21"w x 10"d



## FEATURE

- DIMMABLE | with ELV dimmers
- INPUT VOLTAGE | 100 - 240

## FINISHES

**78232**  
BLACK  
CHROME

**78233**  
COPPER

**78234**  
BRASS











# CONTACT US

---

[sales@luxledlights.com](mailto:sales@luxledlights.com)

[www.luxledlights.com](http://www.luxledlights.com)

805.324.6778

[www.luxledlights.com](http://www.luxledlights.com)



