



HIGHLINE

LED Desk Light

User Guide

TOOLS NEEDED:

Phillips Screwdriver

ASSEMBLY INSTRUCTIONS

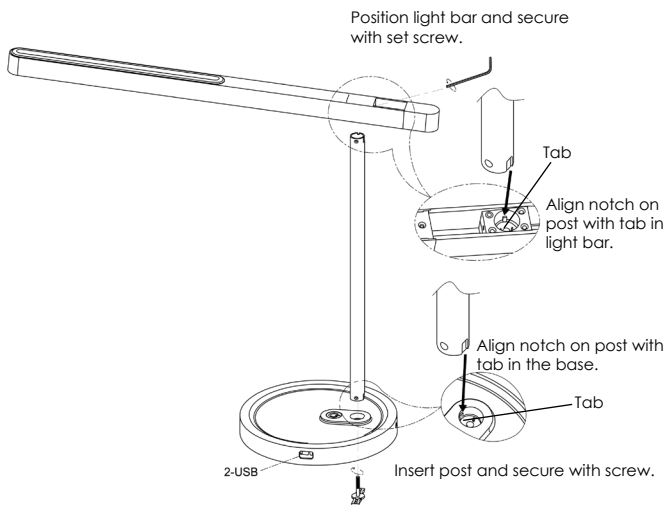
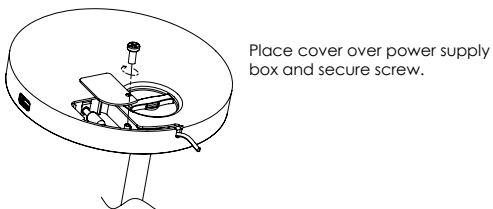
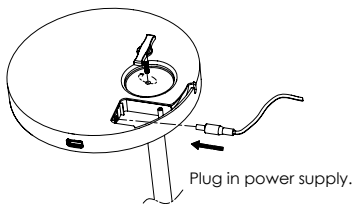
- Plug in power supply at rear of fixture base. Only plug in power supply to wall outlet once assembly is complete.
- Place cover over power supply box and secure screw with Phillips screwdriver.
- Align notch at end of post with tab in the base, insert and secure underneath base with T-shaped handled screw.
- Align notch on other end of post with tab in light bar and tighten set screw with provided Allen wrench.
- Clean intended installation surface to remove dust or particulates.
- Remove protective plastic film from base.
- Plug into any 110-volt wall outlet.

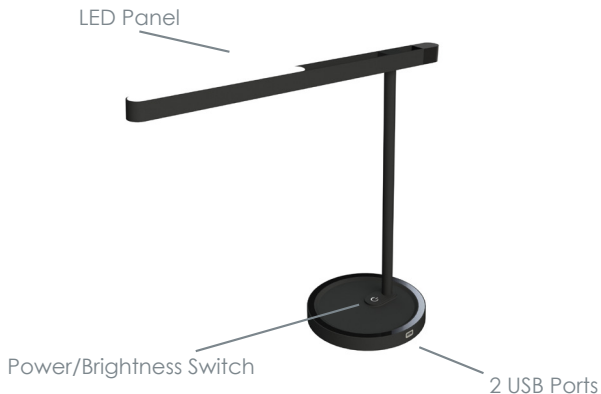
USING YOUR LUX HIGHLINE LED DESK LIGHT:

- Turn light on by touching the power button on top of the base.
- Press the power button again to cycle through the three brightness levels and to turn light off.
- When using the light to charge your devices, unplug or remove the devices once batteries are full.

SAFETY INFORMATION:

- The flexible external power supply cable cannot be replaced; if cable is damaged the entire power supply must be replaced.
- For indoor use only; do not use outdoors or in damp locations.
- Switch the light off before disconnecting power.
- Do not look directly at the LED panel when illuminated.





CUSTOMER SERVICE:

For questions and assistance please contact us at:
805.883.6866 • support@luxledlights.com



Visit us at:
www.luxledlights.com