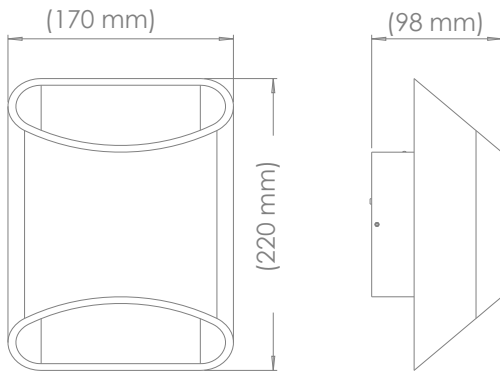


# BROOKLYN | SCONCE

## LED SCONCE WITH DIMMING



### LED FACTS

- LUMENS | 600 (Dimmable)
- COLOR TEMP | 3000K
- WATTAGE | 10W
- CRI | 93+
- EFFICIENCY | 60 lm/W

### TECHNICAL SPECIFICATIONS

- SWITCH | Touch or Wall Switch
- RATING | UL Listed
- MATERIALS | Aluminum
- U.S. PATENT | USD819254S1

### MEASUREMENTS

- WEIGHT | 2.83 lbs.
- DIMENSIONS | 8.66" h x 6.69" w x 3.9" d

### FEATURES

- INPUT VOLTAGE | 100 - 240 (Touch)
- INPUT VOLTAGE | 100 - 277 (Wall Switch)

### FINISHES

- |       |                          |       |                     |
|-------|--------------------------|-------|---------------------|
| 77600 | BRUSHED ALUMINUM         | 77601 | BLACK SLATE         |
| 77602 | BRUSHED ALUMINUM (TOUCH) | 77603 | BLACK SLATE (TOUCH) |