



# Brooklyn

LED Wall Pendant

User Guide

Read all instructions prior to using your new product.

## ASSEMBLY INSTRUCTIONS

- Use the attached paper guide to determine placement of your Brooklyn Wall Pendant. (FIG. 1)
- When drilling holes, be sure to use appropriate mounting hardware (dry wall anchors for dry wall applications, and wood screws if mounting on a stud).
- After screws are installed, mount the wall pendant onto the screws using mounting channels on the back side of the aluminum extrusion. (FIG. 2)
- Be sure both screws are securely installed and the light can not swing freely.
- Once installed successfully onto the wall, attach the shade from the bottom as pictured.

## USING YOUR LUX BROOKLYN LED WALL PENDANT:

- The Brooklyn Wall Pendant will work with any E26 bulbs.
- Use the power rocker-switch to select between single, and double bulb modes.

## SAFETY INFORMATION:

- The flexible external power supply cable cannot be replaced; if the cable is damaged the entire lamp must be replaced.
- For indoor use only; do not use outdoors or in damp locations.
- Switch the lamp off before disconnecting the power.
- Do not look directly at the LEDs when they are illuminated.

## CUSTOMER SERVICE:

For questions and assistance please contact us at:  
800.922.3233 • [customerservice@mightybright.com](mailto:customerservice@mightybright.com)



FIG. 1

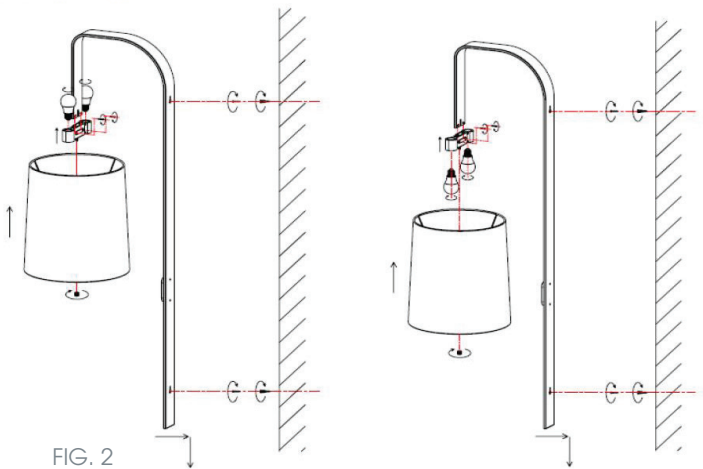
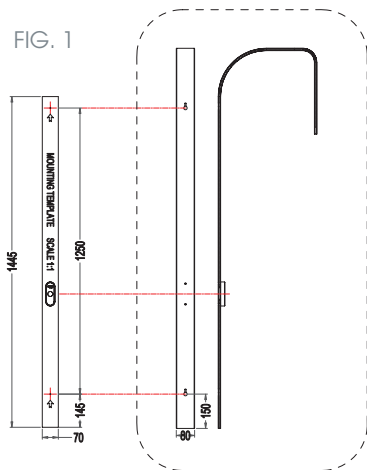


FIG. 2



Visit us at:  
[www.luxledlights.com](http://www.luxledlights.com)