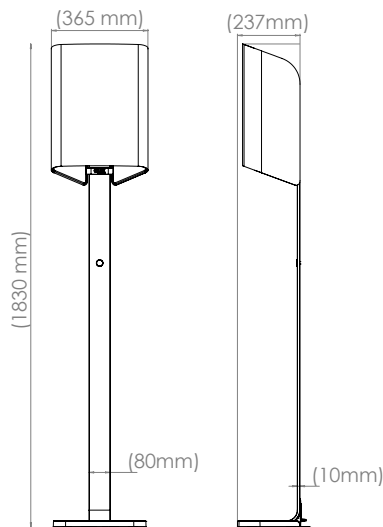


BROOKLYN | FLOOR

LED DESK LAMP WITH TRIANGULAR WEIGHTED BASE



LED FACTS

- LUMENS | 1600 - 800 - 80
- COLOR TEMP | 3000K
- WATTAGE | 18W
- CRI | 80+
- EFFICIENCY | 90 lm/W

TECHNICAL SPECIFICATIONS

- SWITCH | Touch Activation
- RATING | UL Listed
- MATERIALS | Aluminum, Linen, Polycarbonate Alloy
- U.S. PATENT | USD788974S1

MEASUREMENTS

- WEIGHT | 15.8 lbs.
- DIMENSIONS | 72"h x 14.4"w X 9.33"d

FEATURES

- INPUT VOLTAGE | 100 - 240

FINISHES

77210

BRUSHED
ALUMINUM

77211

BLACK
SLATE