



# Brooklyn Floor

LED Floor Lamp

User Guide

Read all instructions prior to using your new product.

## ASSEMBLY INSTRUCTIONS

- Mount the base to the extrusion using the 4 M6 x 15mm screws using the included allen wrench. Do not over tighten. NOTE: If necessary, align nuts with extrusion holes manually prior to installing screws.
- To mount stabilizer, first use the M6 x 8mm screw, ensuring that stabilizer is fully inserted onto extrusion/base. Do not over tighten. Finish mounting the stabilizer with the M6 x 11mm screw. Do not over tighten.
- To attach shade, place the two mounting pins into the top of the extrusion pole. Position the clip in front of the extrusion, with the word LUX facing as shown. The clip should rest on the extrusion below the LED panel.

## USING YOUR LUX BROOKLYN LED FLOOR LAMP:

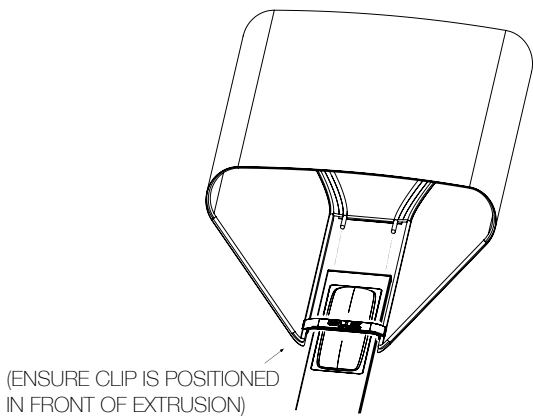
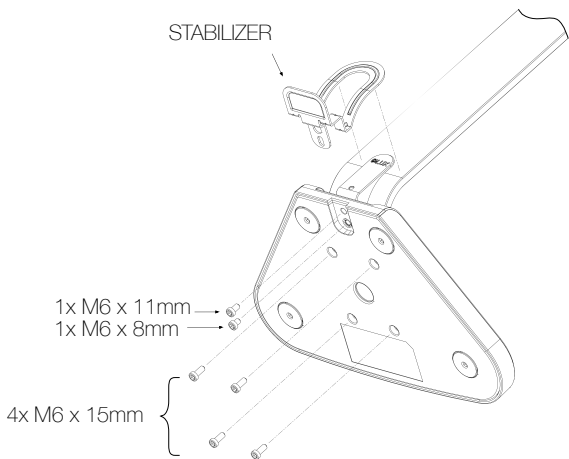
- Use only with the included 18V 1.3A power supply.
- Turn on the light by pressing gently on the power switch on the middle of the extrusion.
- Press the power switch again to cycle through the three brightness levels (1600, 800, 100 lumens).
- When plugged into a switch-operated wall socket, light will automatically return to full brightness when switched on.

## SAFETY INFORMATION:

- The flexible external power supply cable cannot be replaced; if the cable is damaged the entire power supply must be replaced.
- For indoor use only; do not use outdoors.
- Switch off the light before disconnecting the power supply.
- Do not look directly at the LEDs when they are illuminated.

## CUSTOMER SERVICE:

For questions and assistance please contact us at:  
800.922.3233 • [support@luxledlights.com](mailto:support@luxledlights.com)





Visit us at:  
[www.luxledlights.com](http://www.luxledlights.com)

REV200