

BROOKLYN | AC - VACANCY SENSOR

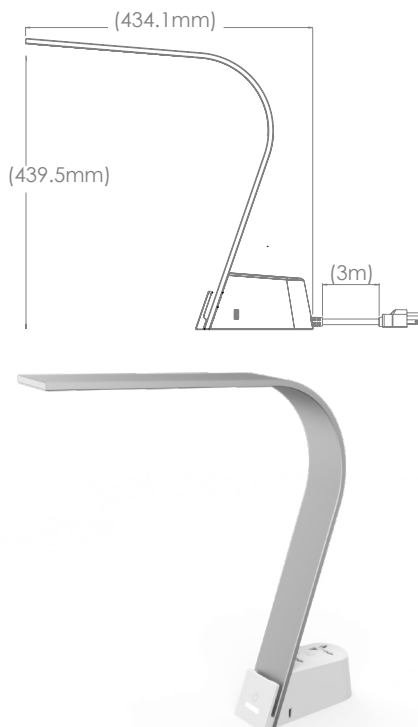
LED TASK LAMP WITH VACANCY SENSOR

2x INTERNATIONAL AC SOCKETS AND 2x USB PORTS



VACANCY SENSOR

When there is nobody in front of the infrared vacancy sensor for 15 minutes, the light automatically shuts off, saving energy. Simply tap the power button to turn on again.



LED FACTS

- LUMENS | 600 - 250 - 20
- COLOR TEMP | 3000K
- WATTAGE | 13W
- CRI | 85+
- EFFICIENCY | 45 lm/W

TECHNICAL SPECS

- SWITCH | Touch Activation
- RATING | UL Listed
- MATERIALS | Aluminum, Polycarbonate Alloy
- U.S. PATENT | USD769,512S

MEASUREMENTS

- WEIGHT | 3.25 lbs.
- DIMENSIONS | 17.3" h x 17.1" w

FEATURES

- VACANCY SENSOR | Yes
- AC SOCKETS | Yes
- USB PORTS | 2 (3A total)
- INPUT VOLTAGE | 100 - 240

FINISHES

77810 BRUSHED ALUMINUM