



# Brooklyn Desk

LED Desk Lamp

User Guide

Read all instructions prior to using your new product.

## ASSEMBLY INSTRUCTIONS

- Mount the triangular base to the lamp base using the 4 M4 x 10mm screws.
- Place the shade with the stitched seam facing the back.
- With the diffuser centered in the frame of the shade, install the finial nut. Tighten nut by hand, and do not over-tighten.

## USING YOUR LUX BROOKLYN LED DESK LAMP:

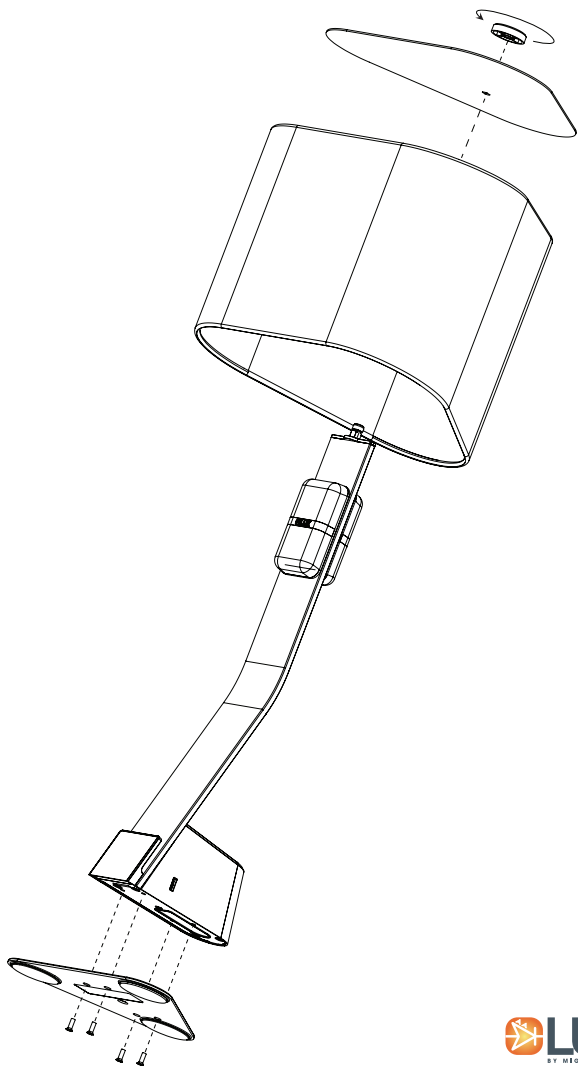
- Turn the light on by touching the power button on the front of the lamp.
- Press the power button again to cycle through the three brightness levels (1100, 475, 100 lumens).

## SAFETY INFORMATION:

- The flexible external power supply cable cannot be replaced; if the cable is damaged the entire lamp must be replaced.
- For indoor use only; do not use outdoors.
- Switch the lamp off before disconnecting the power.
- Do not look directly at the LEDs when they are illuminated.

## CUSTOMER SERVICE:

For questions and assistance please contact us at:  
800.922.3233 • [customerservice@mightybright.com](mailto:customerservice@mightybright.com)





Visit us at:  
[www.luxledlights.com](http://www.luxledlights.com)